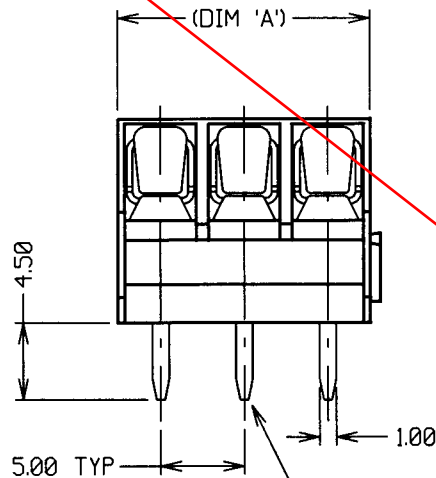
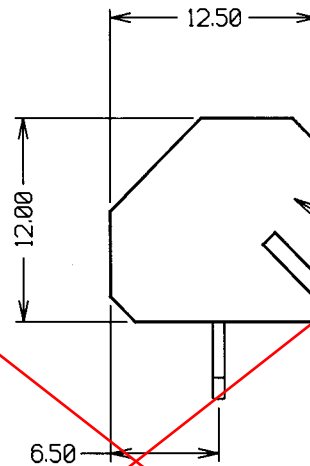


Customer Information Sheet

DRAWING No.: H05-300XX91 SHEET 2 OF 2 IF IN DOUBT - ASK © NOT TO SCALE THIRD ANGLE PROJECTION ALL DIMENSIONS IN mm



PINS:
MATERIAL: BRASS
FINISH: 5µ TIN OVER NICKEL



SPECIFICATIONS:

RATING = 24A/340V
DIELECTRIC STRENGTH = >5kV
INSULATION RESISTANCE = >40 MEGOHM
WORKING TEMPERATURE RANGE = -20°C TO +125°C
SHORT PERIOD = 170°C
SCREW/TORQUE = M2.5 STEEL/4Nm
7µ ZINC COLOUR PASSIVATED
AND TROPICALISED

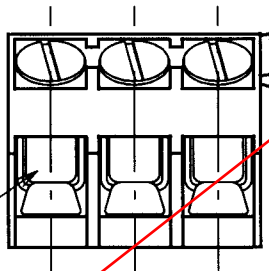
MOULDING:
MATERIAL: NYLON 66 UL94V-0

NOTES:

1. ACCEPTS UP TO 4mm² WIRE.
2. RECOMMENDED MOUNTING HOLE SIZE Ø1.3mm.

APPROVALS:

1. VDE 0110
2. UNDERWRITERS LABORATORIES.



RISING CLAMP:
MATERIAL: STEEL
FINISH: ZINC

OBSOLETE

ORDER CODE	No. OF PINS	WIDTH (DIM 'A')
H05-3000291	2	10mm
H05-3000391	3	15mm
H05-3000491	4	20mm
H05-3000591	5	25mm
H05-3000691	6	30mm
H05-3000791	7	35mm
H05-3000891	8	40mm
H05-3000991	9	45mm
H05-3001091	10	50mm
H05-3001191	11	55mm
H05-3001291	12	60mm

3	17.03.97	3805
2	21.11.96	3628
ISS.	DATE	C/N
APPROVED:		
CHECKED: <i>WSS</i>		
DRAWN: A. LIOTTA		
CUSTOMER REF.		
ASSEMBLY DRG:		

HARWIN

TOLERANCES

X. - ±1mm
X.X - ±0.25mm
X.XX - ±0.10mm
X.XXX - ±0.01mm
ANGLES = ±1°
UNLESS STATED

MATERIAL:

SEE ABOVE

TITLE:

P.C.B. 45° RISING CLAMP
TERMINAL BLOCK

HARWIN INC
U.S.A.

TEL: (812) 285 0055
FAX: (812) 285 0056

HARWIN PLC
U.K.

TEL: 01705 370451
FAX: 01705 324010

HARWIN PTE
SINGAPORE

TEL: 65 7794909
FAX: 65 7793868

HARWIN CONNECTORS
KOREA

TEL: 822 521 0747
FAX: 822 521 0749

FINISH: SEE ABOVE

S/AREA: mm²

DRAWING NUMBER:

H05-300XX91

SHT
2
OF
2