



Wire &amp; Cable &gt; Hook Up Wire

Cable Type: **Spec 55**Voltage Rating: **600 V**Wire Color: **White**Insulation Material: **Modified Radiation Cross-linked ETFE Polymer**Conductor Material: **Tin-Coated Copper**

## Features

### Product Type Features

Cable Style	Primary
Product Type	Wire
Product Classification	High Performance - Spec 44, 55 & RCW
Cable Type	Spec 55

### Configuration Features

Number of Conductors	1
----------------------	---

### Electrical Characteristics

Voltage Rating	600 V
----------------	-------

### Body Features

Wire Color	White
Insulation Material	Modified Radiation Cross-linked ETFE Polymer
Conductor Material	Tin-Coated Copper

### Dimensions

Overall Outside Diameter	1.12 mm[.0441 in]
Wire Diameter	1.12 mm[.044 in]
Conductor Diameter	.715 mm[.0281 in]
Wire Size	22 AWG

## Usage Conditions

Operating Temperature Range	-65 – 150 °C
-----------------------------	--------------

## Other

Wire Source	United Kingdom
-------------	----------------

## Product Compliance

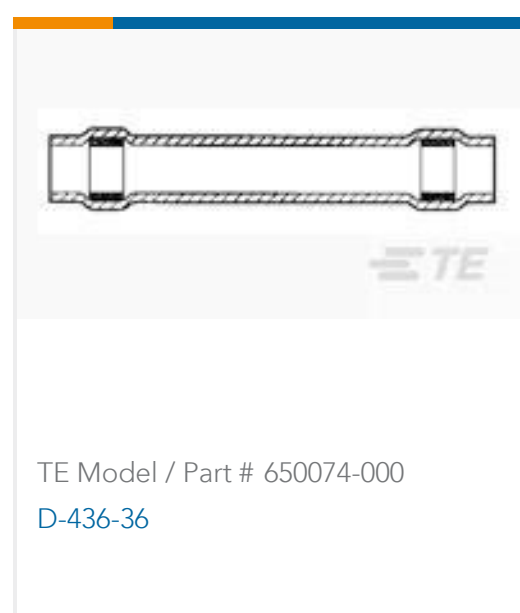
[For compliance documentation, visit the product page on TE.com>](#)

EU RoHS Directive 2011/65/EU	Compliant
EU ELV Directive 2000/53/EC	Compliant
China RoHS 2 Directive MIIT Order No 32, 2016	No Restricted Materials Above Threshold
EU REACH Regulation (EC) No. 1907/2006	Current ECHA Candidate List: JUN 2020 (209) Candidate List Declared Against: JUN 2020 (209) Does not contain REACH SVHC
Halogen Content	Out of Scope - excluded from Halogen requirements
Solder Process Capability	Not applicable for solder process capability

### Product Compliance Disclaimer

This information is provided based on reasonable inquiry of our suppliers and represents our current actual knowledge based on the information they provided. This information is subject to change. The part numbers that TE has identified as EU RoHS compliant have a maximum concentration of 0.1% by weight in homogenous materials for lead, hexavalent chromium, mercury, PBB, PBDE, DBP, BBP, DEHP, DIBP, and 0.01% for cadmium, or qualify for an exemption to these limits as defined in the Annexes of Directive 2011/65/EU (RoHS2). Finished electrical and electronic equipment products will be CE marked as required by Directive 2011/65/EU. Components may not be CE marked. Additionally, the part numbers that TE has identified as EU ELV compliant have a maximum concentration of 0.1% by weight in homogenous materials for lead, hexavalent chromium, and mercury, and 0.01% for cadmium, or qualify for an exemption to these limits as defined in the Annexes of Directive 2000/53/EC (ELV). Regarding the REACH Regulation, the information TE provides on SVHC in articles for this part number is based on the latest European Chemicals Agency (ECHA) 'Guidance on requirements for substances in articles' posted at this URL: <https://echa.europa.eu/guidance-documents/guidance-on-reach>

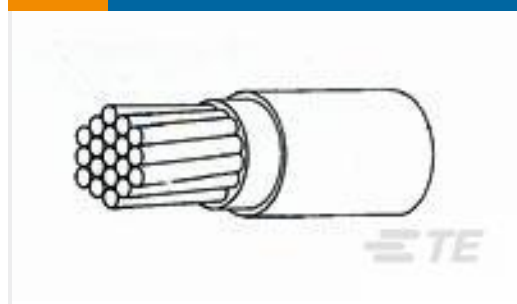
## Compatible Parts



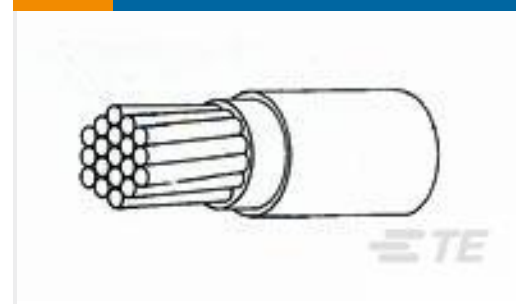
## Customers Also Bought



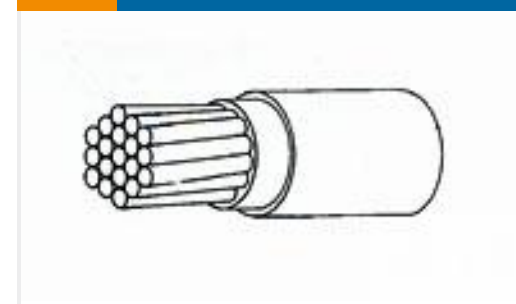
TE Model / Part #CF1177-000  
ST58-3-55-22-90



TE Model / Part #D709463001  
55D0211-20-9



TE Model / Part #E972043001  
55D0211-16-9



TE Model / Part #D841073001  
55D0214-24-9



TE Model / Part #D141573001  
55D1111-22-9-9



TE Model / Part #F371043001  
55D1121-22-2/6-9



TE Model / Part #8087233001  
99M0121-20-2L/9



TE Model / Part #8162913001  
99M1131-22-0/2/9-0



TE Model / Part #495001-000  
TRSA-1014/C/1/AU-KIT



TE Model / Part #720745-000  
TRSA-1014/C/1/N-KIT

## Documents

### Product Drawings

[55D0211-22-9](#)

English

### Datasheets & Catalog Pages

[1654025\\_Sec9\\_SPEC55](#)

English

[Raychem Wire and Cable Quick Reference Guide](#)

English