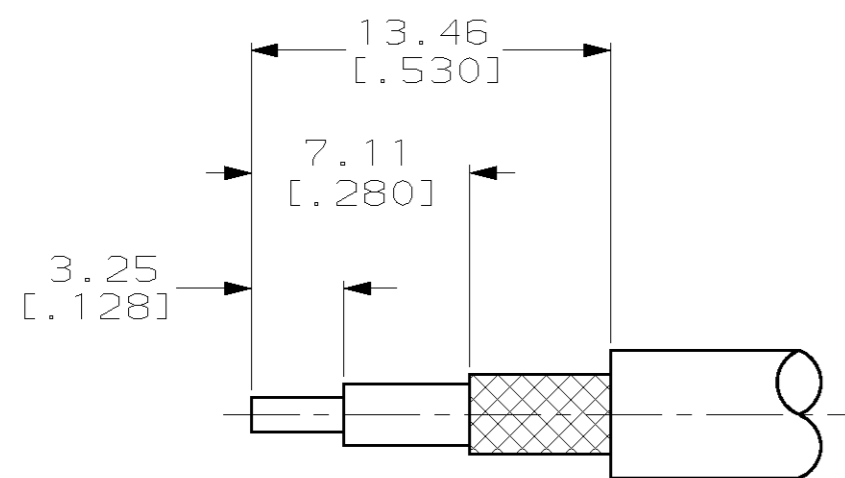


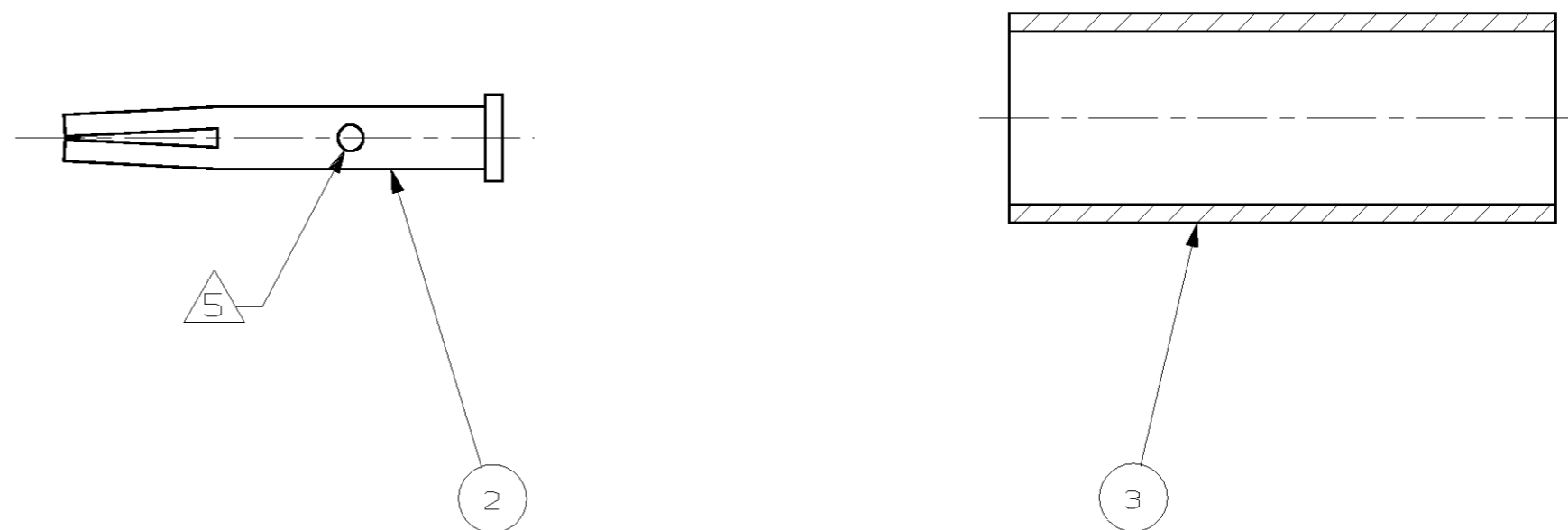
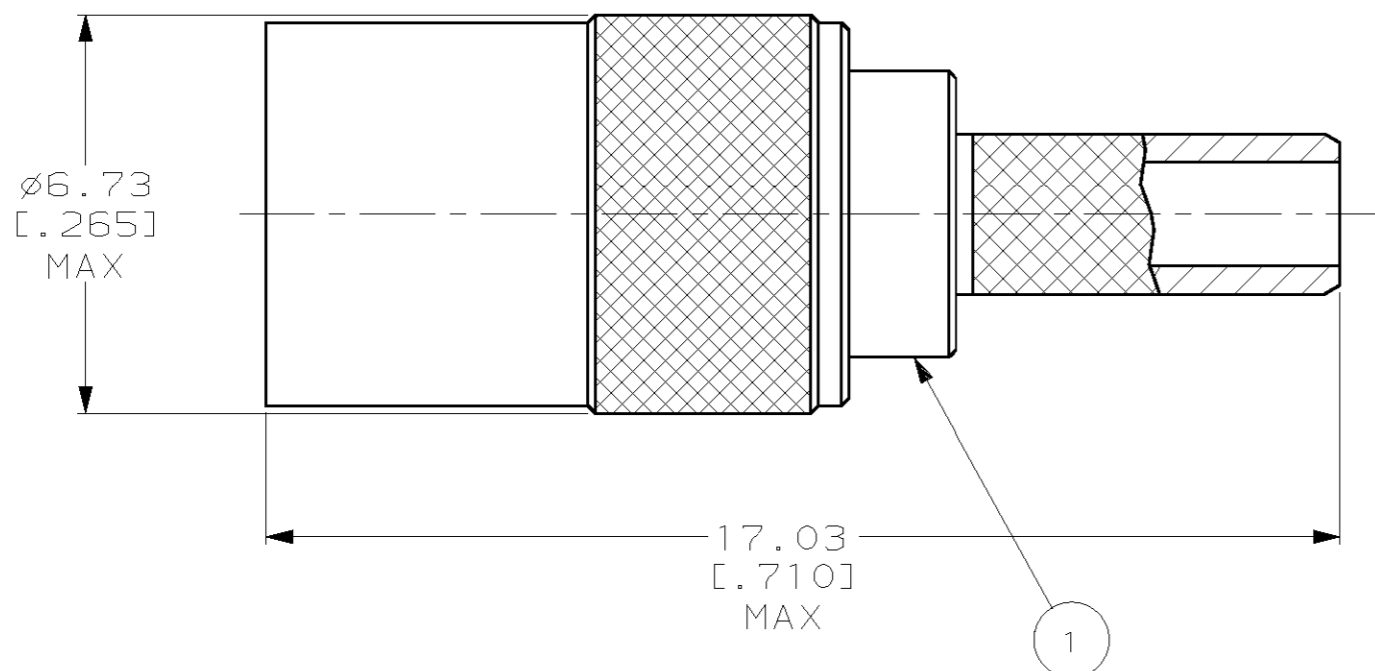
THIS DRAWING IS UNPUBLISHED. RELEASED FOR PUBLICATION .19
 (C) COPYRIGHT 19 BY AMP INCORPORATED. ALL RIGHTS RESERVED.

REVISIONS				
P	LTR	DESCRIPTION	DATE	APVD
	K	REV PER 0U20-0410-00	13SEP00	MO KW



RECOMMENDED STRIP LENGTHS
SCALE NTS

- 1 FINISHES:
BODY: NICKEL PLATE PER QQ-N-290
CONTACT: GOLD PLATE PER MIL-G-45204
OUTER CONTACT: GOLD PLATE PER MIL-G-45204
- 2 FINISHES:
BODY: NICKEL PLATE PER QQ-N-290
CONTACT: GOLD PLATE PER MIL-G-45204
OUTER CONTACT: NICKEL PLATE PER QQ-N-290
- 3. INTERFACE PER MIL-C-39012
- 4. SEE I.S. SHEET 408-2987-12.
- 5 SIGHT HOLE ON PART NUMBER 1-414946-0 ONLY.
- 6 SEE DRAWINGS 414946-1 AND 1-414946-2 FOR INFORMATION SPECIFIC TO THESE PART NUMBERS.



POSITION LETTER	AMP DIE SET	HEX SIZE	DANIELS DIE SET	SELECTOR NUMBER	DANIELS POSITIONER	NOTES	CABLE	3 FERRULE QTY=1	2 CONTACT QTY=1	1 PLUG ASSY QTY=1	PART NO	
											1-414946-2	
B	58483-1	.128	HX4-1637	4	K699	1	RG-179	2-446556-1	228278-4	414958-1	1-414946-1	
C	58483-1	.151	HX4-1637	4	K699	1	HP 8120-0552-1	1-413889-4	415630-4	414958-1	1-414946-0	
SUPERSEDED BY 414946-6	B	58483-1	.128	HX4-1637	4	K699	2	RG-179	1-413889-3	228278-4	414958-2	414946-9
SUPERSEDED BY 414946-5	B	58483-1	.128	HX4-1637	4	K699	1	RG-179	1-413889-3	228278-4	414958-1	414946-8
SUPERSEDED BY 414946-5	B	58483-1	.128	HX4-1637	4	K699	1	RG-179	1-413889-3	228278-4	414958-1	414946-7
B	58483-1	.128	HX4-1637	4	K699	2	RG-179	1-413889-3	228278-4	414958-2	414946-6	
B	58483-1	.128	HX4-1637	4	K699	1	RG-179	1-413889-3	228278-4	414958-1	414946-5	
C	58483-1	.151	HX4-1637	4	K699	2	RD-316	1-413889-4	228203-4	414958-2	414946-4	
C	58483-1	.151	HX4-1637	4	K699	1	RD-316	1-413889-4	228203-4	414958-1	414946-3	
B	58483-1	.128	HX4-1637	4	K699	2	RG-316 & RG-174	1-413889-3	228203-4	414958-2	414946-2	
											414946-1	

TOOLING INFORMATION		
AMP PRO-CRIMPER FOR BRAID CRIMP	M 22520/5-01 FOR BRAID CRIMP	M 22520/2-01 FOR CONTACT CRIMP

THIS DRAWING IS A CONTROLLED DOCUMENT FOR AMP INCORPORATED. IT IS SUBJECT TO CHANGE AND THE CONTROLLING ENGINEERING ORGANIZATION SHOULD BE CONTACTED FOR THE LATEST REVISION.

DWN: B. WERNER 15/DEC/94
 CHK: J. McLEOD 19/DEC/94
 APVD: J. McLEOD 19/DEC/94

AMP AMP Incorporated
Harrisburg, PA 17105-3608

50 OHM PLUG ASSY, STR SMB

SIZE: A2 CAGE CODE: 00779 DRAWING NO: C-414946

SCALE: 8:1 SHEET: 1 OF 1 REV: K

CUSTOMER DRAWING

414946