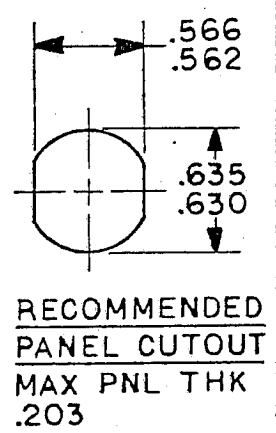
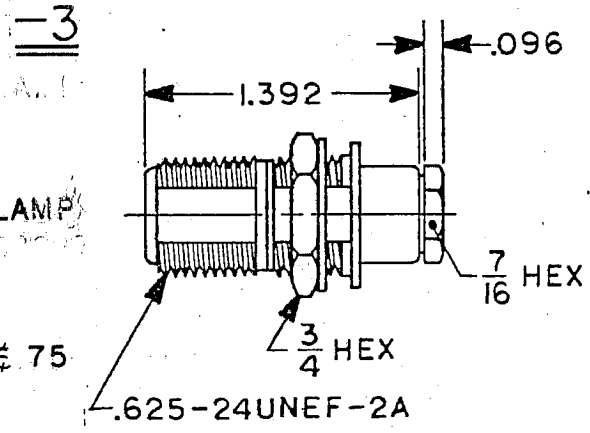
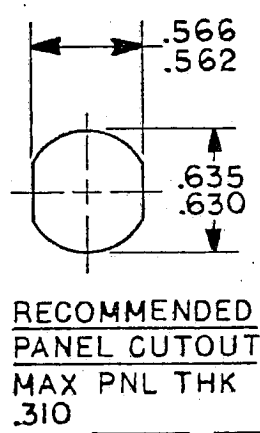
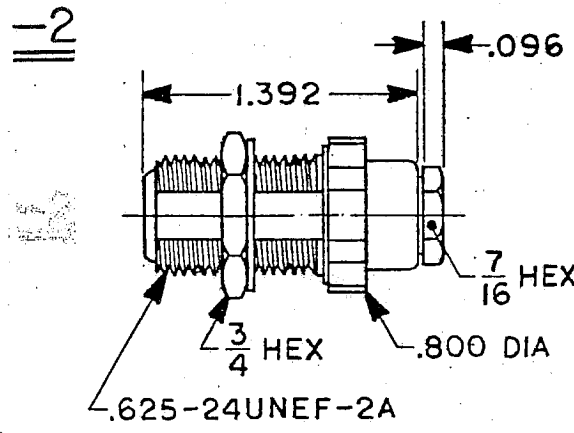
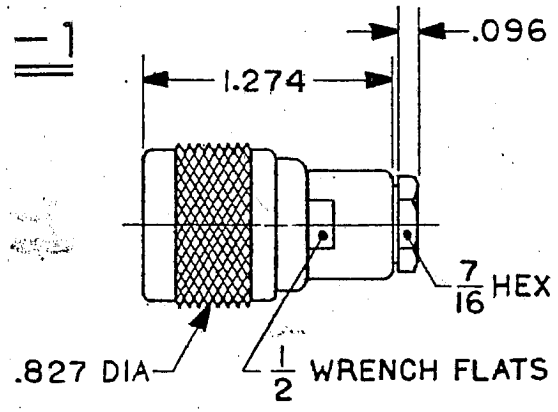


DATA CONTAINED IN THIS DOCUMENT IS PROPRIETARY TO TROMPETER ELECTRONICS INC. AND SHALL NOT BE DISCLOSED, COPIED OR USED FOR PROCUREMENT OR MANUFACTURE WITHOUT EXPRESS WRITTEN PERMISSION.

REV	EO	1005-1124		SH 1
LTR	NO	DWN	APPROVED	DATE

DASH NO	CONN TYPE	MATERIAL $\triangle 3$
-1	PL95	1000-0370-1
-2	BJ95	1000-0175-1
-3	BJ96	1005-0185-1
-4	UPL95	1000-0370-U1
-5	UBJ95	1000-0175-U1
-6	UBJ96	1005-0185-U1



1. ASSEMBLE PER SH 1
2. REPLACE 8000-1580-1 CLAMP NUT WITH 8000-1580-7 CLAMP NUT
3. MALE/FEMALE TYPE N 50 & 75 OHM COAXIAL CABLE PLUG INSULATED/NONINSULATED BULKHEAD JACK FOR CABLE GROUP-7 (SHIELDS COMMON)
4. FINISH: TFS-1A (NICKEL)

UNLESS OTHERWISE SPECIFIED ALL DIM ARE REF IN INCHES			TROMPETER ELECTRONICS, INC.		U/PL95/BJ95/BJ96-7 SC	
DWN	JNR	10-9-84	MATERIAL	CODE IDENT	DRAWING NO.	REV
CHK	<i>Jm</i>	10-31-84	—	14949	1005-1124	
ENGR	<i>VW</i>	11-20-84				
NEXT ASSY	APPR	<i>[Signature]</i> 11-21-84	SCALE	DATE 11-26-84	SHEET 1 OF 2	