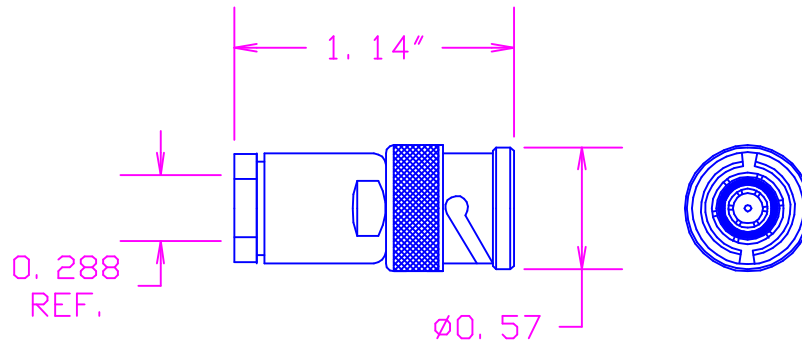


DATE	SYM	REVISION RECORD	AUTH.	DR.	CK.
3/20/98	-	ISSUED	IK	NT	GH

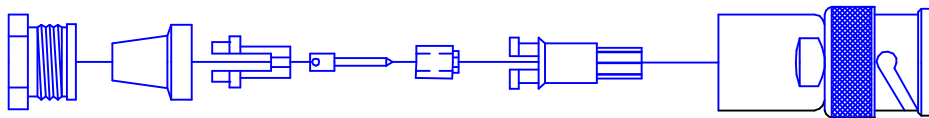


MATERIAL: BODY- BRASS, NICKEL PLATED
DIELECTRIC- PTFE PER ASTM D1710
CENTER CONTACT- BERYLLIUM COPPER, HEAT-TREATED
WITH .000050" GOLD PL.

CABLE: M17/134-00001, M17/134-00002, OR COMMERCIAL EQUIVALENT
NOMINAL IMPEDANCE: 50 OHMS REF.

MAX. FREQUENCY: 400 MHz REF.

ACTUAL SIZE



TOLERANCES REF. ONLY	CONCORD ELECTRONICS CORPORATION		
DECIMAL + -	P/N	SCALE	30 GREAT JONES ST. NEW YORK N. Y. 10012
FRACTIONAL + -	TITLE TRIAxIAL MALE CABLE, 2 LUG		
ANGULAR + -	DATE 3-17-98	DRAWING NUMBER 800-2492-03-3H	