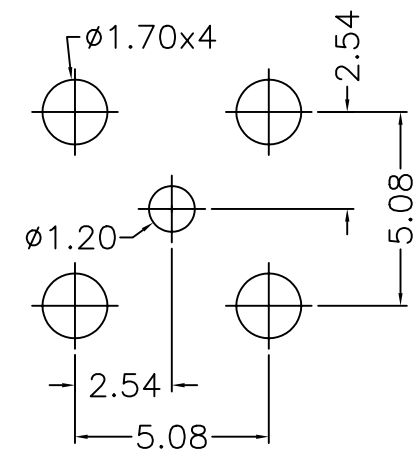
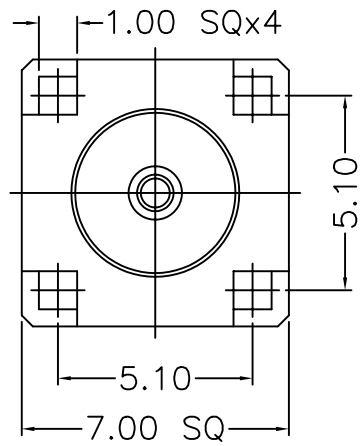
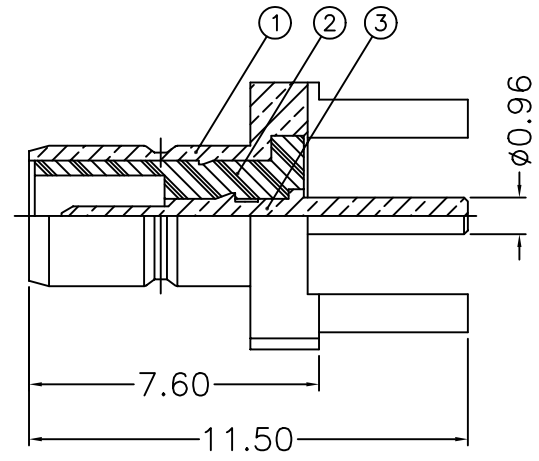


Coaxial Contact Impedance:50 Ohms

- NOTES: FINISH (PLATING THICKNESS IN MICRO-INCHES)
1. BRASS PER QQ-B-626
 2. GOLD PL 5 MIN OVER NICKEL PL 70 MIN THICK OVER COPPER STRIKE
 3. GOLD PL 30 MIN OVER NICKEL PL 70 MIN THICK OVER COPPER STRIKE
 4. TEFLON MIL-P-19468



P.C.B. LAYOUT
(印刷电路板配置)

3	CONTACT PIN	NOTE 1	NOTE 3	1	CP91-005-001GE
2	INSULATOR	NOTE 4	WHITE	1	NS91-005-001
1	BODY	NOTE 1	NOTE 2	1	BD91-006-001GB
NO.	DESCRIPTION	MATERIAL	FINISH	Q'TY	DRAWING NO.

AUK A MEMBER OF AUK GROUP
太聯事業股份有限公司
AUK CONTRACTORS CO., LTD.

CATEGORY		APPROVED BY MEI		UNLESS OTHERWISE SPECIFIED TOLERANCES ARE .X ±0.38 .XX ±0.25 ANG. ±5°						
PART No. SMB-JD50		CHECKED BY BECKY								
DRAWING No. SMB-JD50		DRAWING BY TCF								
SCALE	NONE	REV.	A0	UNIT mm			NO. REV.	REVISIONS	CHK	DATE