

REV.	ECO. NO.	CHG.	APPD.
A	DWG REL.		

Note:

Rating:

Voltage rating : 30V AC (rms)

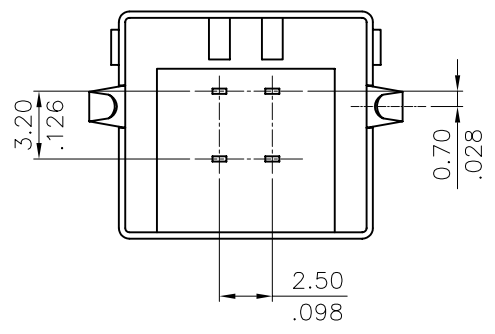
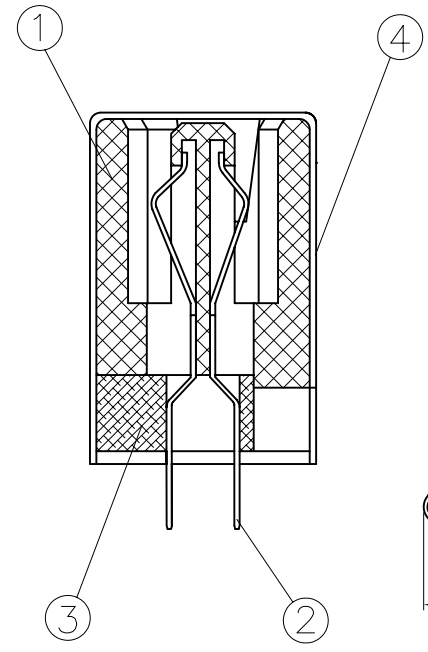
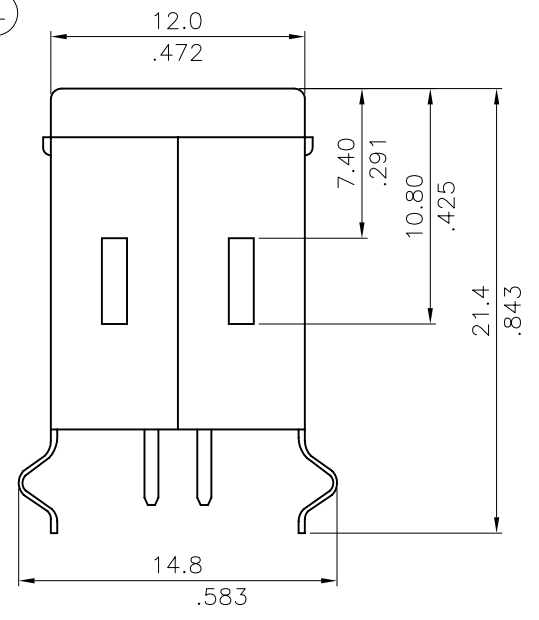
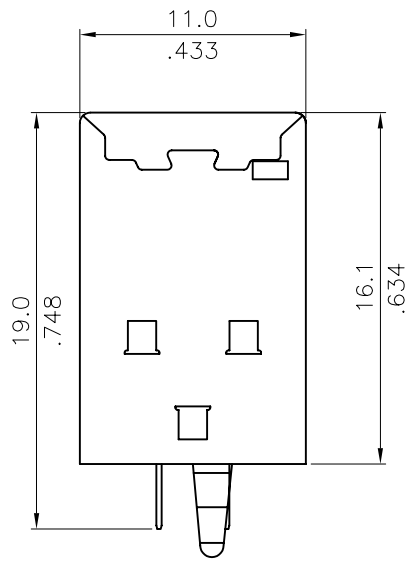
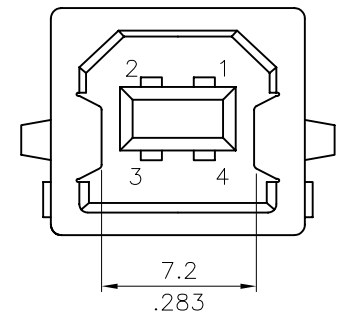
Current Rating : 1 A Max

Electrical Characteristics:

Contact Resistance : 30m ohms Max.

Insulation Resistance : 100M ohmsmin

Dielectric Withstanding Voltage: 500V DC at 1 minute



LEOCO CORPORATION		APPROVED BY:	PART NO.: 2075S0FB042	
GENERAL TOLERANCE		CHECKED BY:	TITLE: USB B TYPE FEMALE 180° DIP TYPE	
X. ±	X° ± 2°	DRAW BY: <i>Angela</i> Sep. 6/'01	DRAWING NO.:	
.X ± $\frac{0.30}{.012}$	X° ± 1°		207545S	
.XX ± $\frac{0.20}{.008}$	XX° ± 0.5°		UNITS	SCALE
.XXX ± $\frac{0.10}{.004}$	XXX° ± 0.1°		mm	8:1
			SIZE	SHEET REV.
			A3	1/1 A