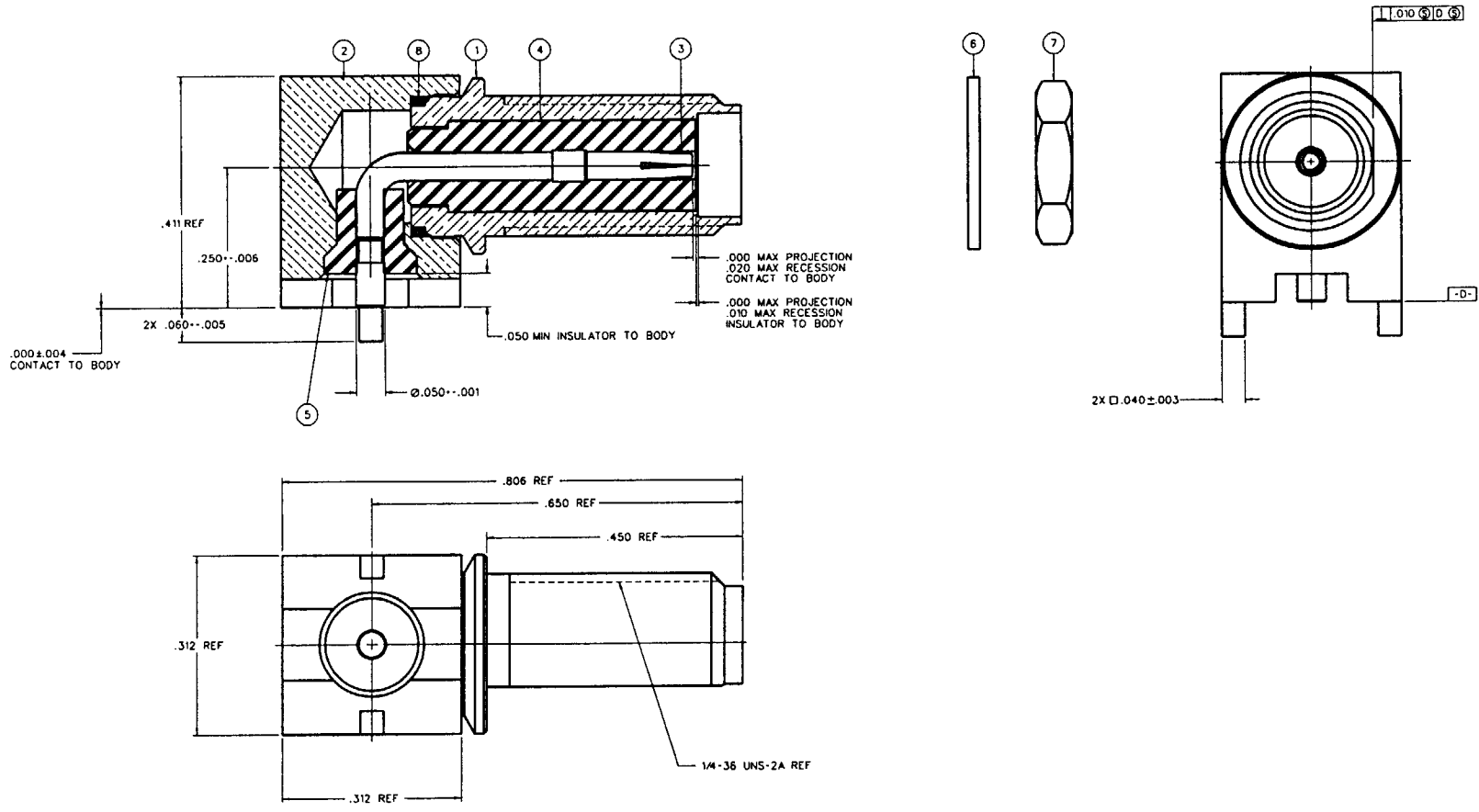


PART NUMBER	ITEM ① BODY	ITEM ② BASE	ITEM ③ CONTACT	ITEM ④ INSULATOR	ITEM ⑤ INSULATOR	ITEM ⑥ WASHER	ITEM ⑦ NET	ITEM ⑧ SOLDER WASHER
142-0711-511	013-1669-733	013-1682-452	013-1682-462	032-0770-448	032-0770-021	506-R070-014	560-8052-010	042-0211-039
142-0711-512								
142-0711-513								
142-0711-514								
142-0711-515								
142-0711-516								
142-0711-517								
142-0711-518								
142-0711-519								
142-0711-520								

DRAWING NO.
D - 142-0711-511/520
0 REVISIONS
ENGINEERING RELEASE
1 9-3-99 [Signature] ECH 46698



- NOTES:
1. INSERT CONTACT INTO BODY. PRESS UPPER INSULATOR OVER CONTACT INTO BODY. ASSEMBLE SOLDER WASHER TO BASE. PRESS BASE INTO BODY. REFLOW SOLDER 632/372 TN LEAD. PRESS LOWER INSULATOR INTO BASE. WASHER AND NET ARE UNASSEMBLED. BODY TO BASE RETENTION SHALL BE 75 LBS MIN.
 2. ASSEMBLY SHALL CONFORM TO PRODUCT SPECIFICATION 003-8142-001.
 3. PACKAGE 25 ASSEMBLIES PER BAG.
 4. CUSTOMER REFERENCE: BOSCH

THIS DRAWING TO BE INTERPRETED PER AMSY 14.5M - 1982
"µSTATION"

COMPANY CONFIDENTIAL

TOLERANCE UNLESS OTHERWISE SPECIFIED	DRAWN BY	DATE	JOHNSON
DECIMALS _____	RJEB	8-24-99	739 Johnson Ave P.O. Box 1732 Waseca, MN 56093-0832
XX _____	CHECKED BY	DATE	TITLE
.XXX _____	APPROVED BY	DATE	JACK ASSEMBLY, RA PC SURFACE MOUNT BULKHEAD, SMA
MATERIAL _____	APPROVED BY	DATE	CODE NO.
FINISH _____	RELEASE DATE		D - 142-0711-511/520
			SCALE 10:1 U/M INCH SHEET 1 OF 2

JNCPS00100