

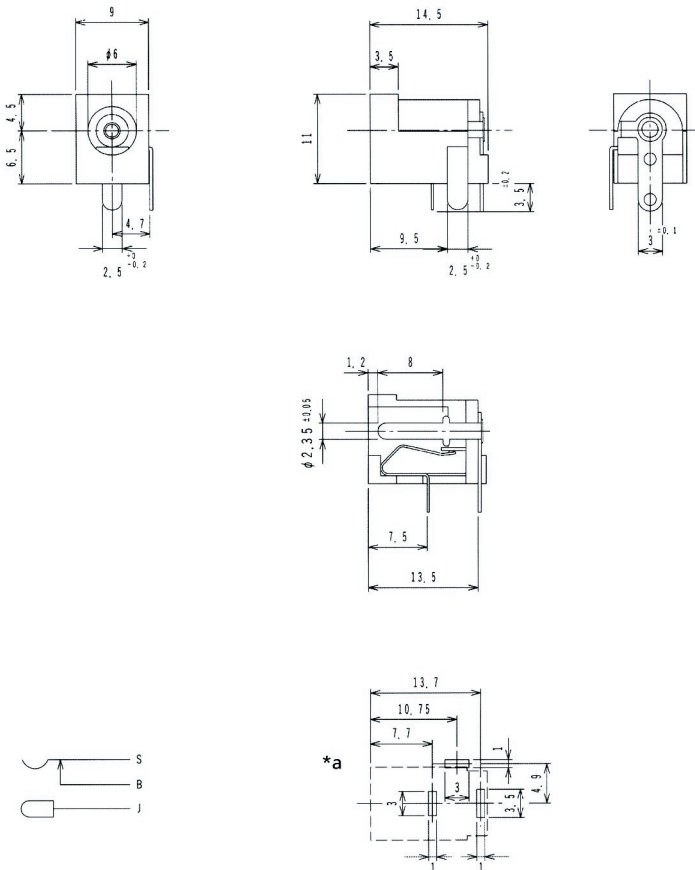
16

1613 21

Power supply connectors



Power supply chassis socket, angular version, with break contact, for printed circuit boards



*a printed circuit board layout, solder side view

Environmental conditions

Temperature range -20 °C/+70 °C

Materials

Insulating body PBT GF, V-0 according to UL94
 Contact pin CuZn, nickel-plated
 Contact Cu alloy, tin-plated

Mechanical data

Diameter opening 6,0 mm
 Diameter center pin 2,35 mm
 Mating cycles $\geq 5000^1$
 Insertion force 5–20 N (initial value)
 Withdrawal force 4–15 N (initial value)

¹ measured with a gauge plug

Electrical data (at T_{amb} 20 °C)

Contact resistance ≤ 30 m Ω
 Rated current 2 A
 Rated voltage 24 V DC
 Rated impulse voltage 500 V/60 s
 Insulation resistance ≥ 100 M Ω

Associated products

Counterparts
 ☞ 1633 04 ☞ 1634 02 ☞ NES/J 25
 ☞ NES/J 250 ☞ XNES/J 250

16

1613 21

Designation	Pole Number	PU (Pieces)	MDQ (Pieces)
1613 21	2	250	500

Packaging:

in bulk, in a cardboard box or a plastic bag