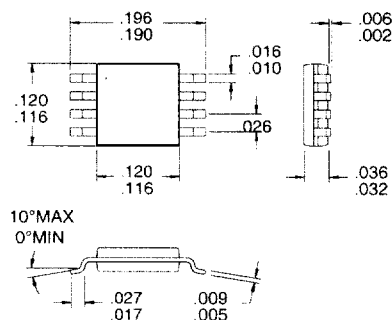


**Typical Applications**

- PCS/Cellular Systems
- PHS 1500/ WLAN 2400 Systems
- General Purpose Upconverter
- BPSK Modulation
- Micro-Cell PCS Base Stations
- Portable Battery Powered Equipment

**Product Description**

The RF2639 is a complete upconverter designed for cellular and PCS applications. This device may also be used to directly BPSK modulate a carrier. The unit operates at 3.0V and is designed as part of the RFMD PCS/Cellular CDMA Chip Set, consisting of a Transmit IF AGC Amp, this Transmit Upconverter, a Receive LNA/Mixer, and a Receive IF AGC Amp.



**6**  
MIXERS

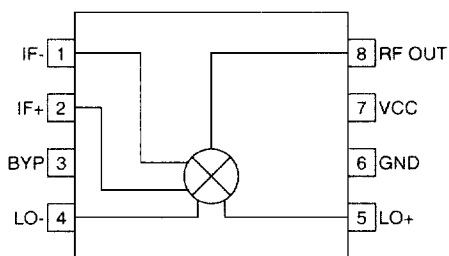
**Optimum Technology Matching® Applied**

- Si BJT       GaAs HBT       GaAs MESFET  
 Si Bi-CMOS

**Package Style: MSOP-8**

**Features**

- Supports Dual Mode Operation
- +2dBm Output Intercept Point
- Single 3.0V Power Supply
- Miniature 8 Pin Package
- Double-Balanced Mixer



**Functional Block Diagram**

**Ordering Information**

- RF2639      Upconverter/BPSK Modulator  
 RF2639 PCBA      Fully Assembled Evaluation Board

RF Micro Devices, Inc.  
 7625 Thorndike Road  
 Greensboro, NC 27409, USA

Tel (336) 664 1233  
 Fax (336) 664 0454  
<http://www.rfmd.com>

### Absolute Maximum Ratings

Parameter	Rating	Unit
Supply Voltage	-0.5 to +5.0	V <sub>DC</sub>
Input RF Power	+3	dBm
Operating Ambient Temperature	-30 to +80	°C
Storage Temperature	-30 to +150	°C



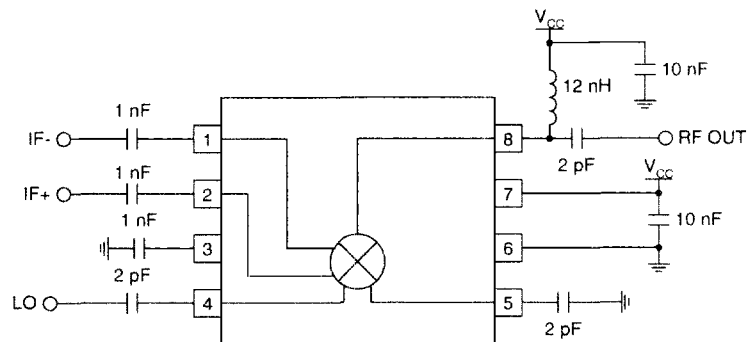
**Caution!** ESD sensitive device.

RF Micro Devices believes the furnished information is correct and accurate at the time of this printing. However, RF Micro Devices reserves the right to make changes to its products without notice. RF Micro Devices does not assume responsibility for the use of the described product(s).

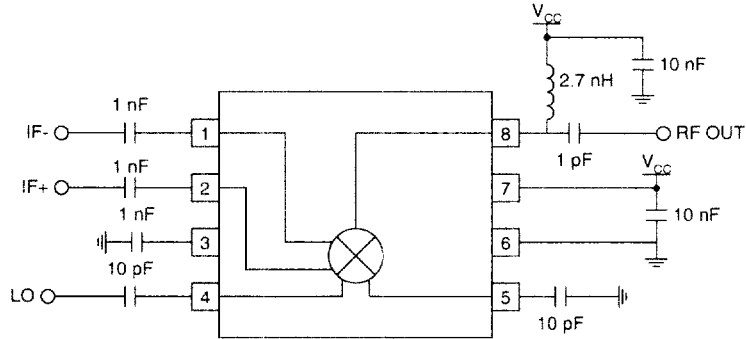
Parameter	Specification			Unit	Condition
	Min.	Typ.	Max.		
<b>Overall</b>					T=25°C, V <sub>CC</sub> =3.0V
RF Output Frequency Range		500 to 2500		MHz	
Conversion Gain		-1.0		dB	RF out=830MHz
		-3.0		dB	RF out=1830MHz
Noise Figure		11		dB	RF out=830MHz
		11		dB	RF out=1830MHz
Output IP3		+1		dBm	P <sub>IN</sub> =-23dBm per Tone, RF out=830MHz
		-1		dBm	P <sub>IN</sub> =-23dBm per Tone, RF out=1830MHz
Spurious Product Rejection		30		dBc	Referenced to RF output
<b>IF Input</b>					
IF Frequency		DC to 300		MHz	
Differential Input Impedance		260		Ω	
IF to RF Output Isolation		30		dB	
IF to LO Isolation		30		dB	
<b>LO Input</b>					
LO Frequency Range		300 to 2700		MHz	
LO Level		-6 to 0		dBm	
LO to RF Output Leakage		-20		dBm	
RF to LO Isolation		30		dB	
LO Input VSWR		2:1			50Ω
<b>Power Supply</b>					
Voltage		2.7 to 3.3		V	
Current Consumption		7		mA	

Pin	Function	Description	Interface Schematic
1	IF-	Balanced IF Input Pin. This pin is internally DC biased and should be DC blocked if connected to a device with a DC level present. For single-ended input operation, one pin is used as an input and the other IF input is AC coupled to ground. The balanced, as well as single-ended, input impedance is 260Ω.	
2	IF+	Same as pin 1, except complementary input.	See Pin 1.
3	BYP	Bypass pin for internal bias circuitry. Bypass with a 1nF capacitor.	
4	LO-	Balanced LO Input Pin. This pin is internally DC biased and should be DC blocked if connected to a device with a DC level present. For single-ended input operation, one pin is used as an input and the other LO input is AC coupled to ground.	
5	LO+	Same as pin 4, except complementary input.	See Pin 4.
6	GND	Ground connection. Keep traces physically short and connect immediately to ground plane for best performance.	
7	VCC	Supply Voltage pin. External bypassing is required. External RF, LO, and IF bypassing is required. The trace length between the pin and the bypass capacitors should be minimized. The ground side of the bypass capacitors should connect immediately to ground plane.	
8	RF OUT	RF Output Pin.	

## 836 MHz Application Schematic

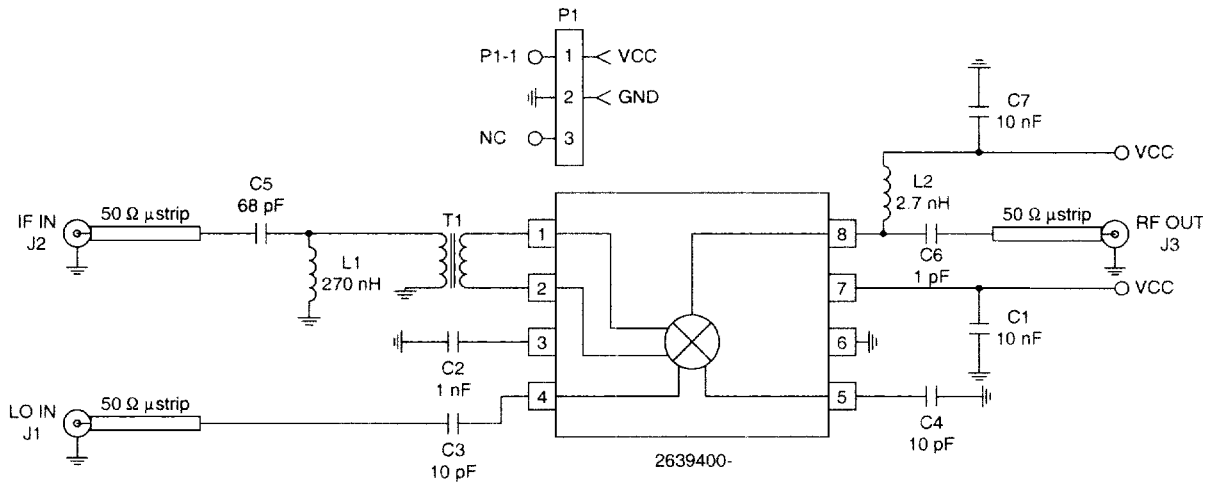


**1830 MHz Application Schematic**

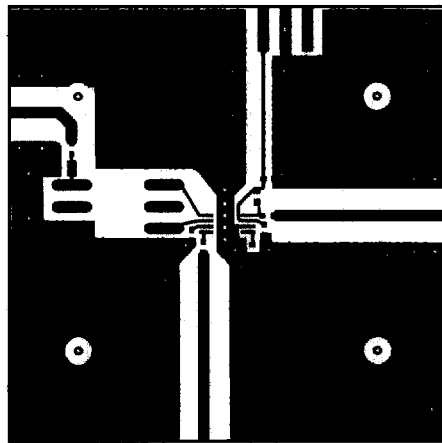
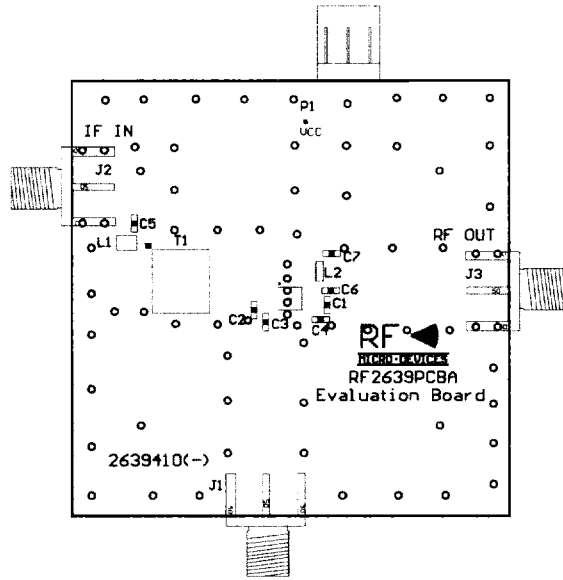


**Evaluation Board Schematic**

(Download [Bill of Materials](http://www.rfmd.com) from [www.rfmd.com](http://www.rfmd.com).)



### Evaluation Board Layout Board Size 2.0" x 2.0"



**RF2639**



**MIXERS**