

RoHS Compliant



1:1 Transmission Line Transformer, with center tap
5-1000MHz

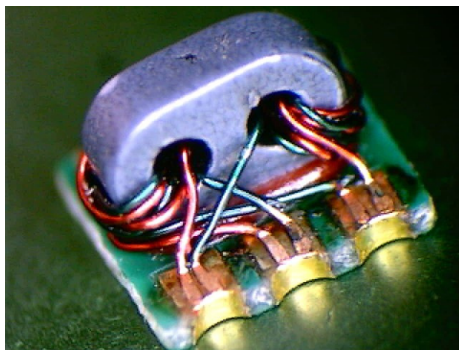
MABACT0040
V2

Features

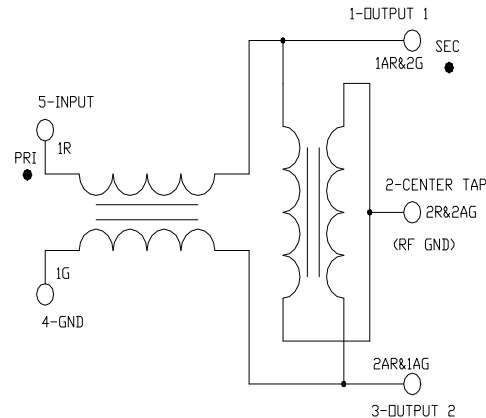
- Surface Mount
- 1:1 Impedance
- Centre tap on secondary
- 260 °C Reflow Compatible
- RoHS* Compliant
- Available on Tape and Reel. Reel quantity 2000

Description

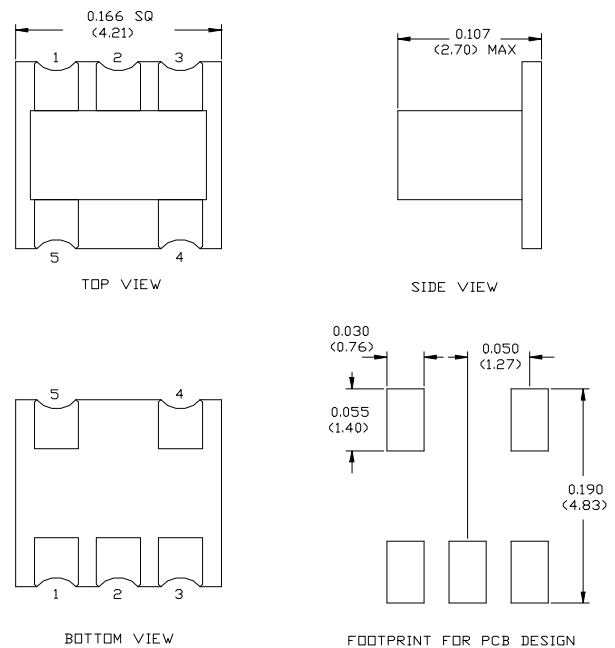
M/A-COM's MABACT0040 is a 1:1 RF Transmission Line transformer in a low cost, surface mount package. Excellent Return Loss. Ideally suited for high volume CATV/Broadband applications.



Schematic



Case Style: SM-164



Pin Configuration

Pin No.	Function
1	Secondary Dot (Output 1)
2	Secondary centre tap (Ground)
3	Secondary (Output 2)
4	Primary (Ground)
5	Primary Dot (Input)

Ordering Information

Part Number	Package
MABACT0040TR	2000 piece reel

Note: Reference Application Note **M513** for reel size information.

* Restrictions on Hazardous Substances, European Union Directive 2002/95/EC.

Dimensions in inches [mm] Tolerance: .xx ± .02, .xxx ± .010

ADVANCED: Data Sheets contain information regarding a product M/A-COM Technology Solutions is considering for development. Performance is based on target specifications, simulated results, and/or prototype measurements. Commitment to develop is not guaranteed.

PRELIMINARY: Data Sheets contain information regarding a product M/A-COM Technology Solutions has under development. Performance is based on engineering tests. Specifications are typical. Mechanical outline has been fixed. Engineering samples and/or test data may be available. Commitment to produce in volume is not guaranteed.

• **North America** Tel: 800.366.2266 • **Europe** Tel: +353.21.244.6400
• **India** Tel: +91.80.4155721 • **China** Tel: +86.21.2407.1588

Visit www.macomtech.com for additional data sheets and product information.

M/A-COM Technology Solutions Inc. and its affiliates reserve the right to make changes to the product(s) or information contained herein without notice.

RoHS Compliant



1:1 Transmission Line Transformer, with center tap
5-1000MHz

MABACT0040
V2

Electrical Specifications: $T_A = 25^\circ\text{C}$, $Z_0 = 75\Omega$

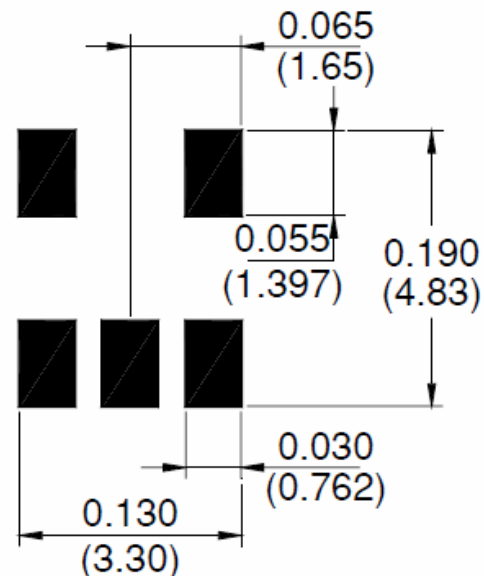
Parameter	Test Conditions	Frequency	Units	Min	Typ	Max
Insertion Loss	-	5 - 1000 MHz	dB	-	1.1	1.6
Amplitude Unbalance (Nominal 0dB)	-	5 - 1000 MHz	dB	-	± 0.1	± 0.5
Phase Unbalance (Nominal 180°)	-	5 - 1000 MHz	°	-	5	± 10
Input Return Loss	-	5 - 1000 MHz	dB	16	24	-

Absolute Maximum Ratings ^{1,2}

Parameter	Absolute Maximum
Max Input Power	250mW
DC current	240mA
Operating Temperature	-40°C to +85°C
Storage Temperature	-55°C to +100°C

- Exceeding any one or combination of these limits may cause permanent damage to this device.
- M/A-COM does not recommend sustained operation near these survivability limits.

Recommended PCB Configuration



RoHS Compliant

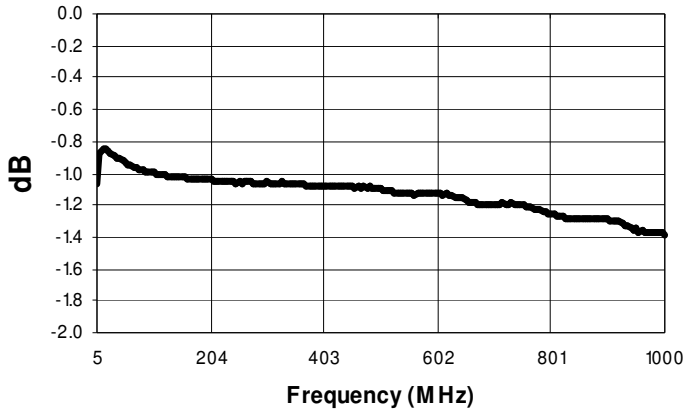


1:1 Transmission Line Transformer, with center tap
5-1000MHz

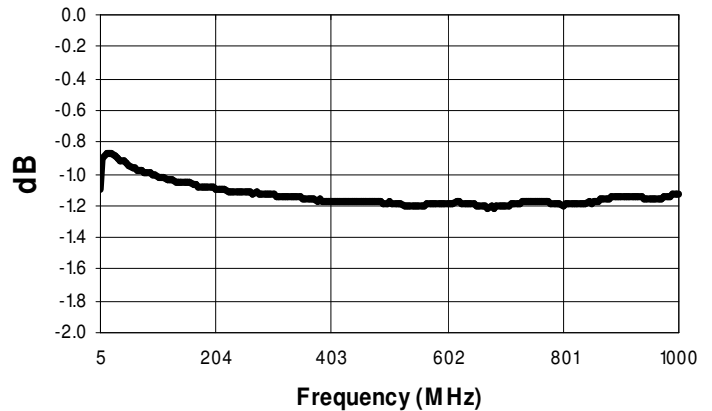
MABACT0040
V2

Typical Performance Curves: $T_A = 25^\circ\text{C}$, $Z_0 = 75\Omega$

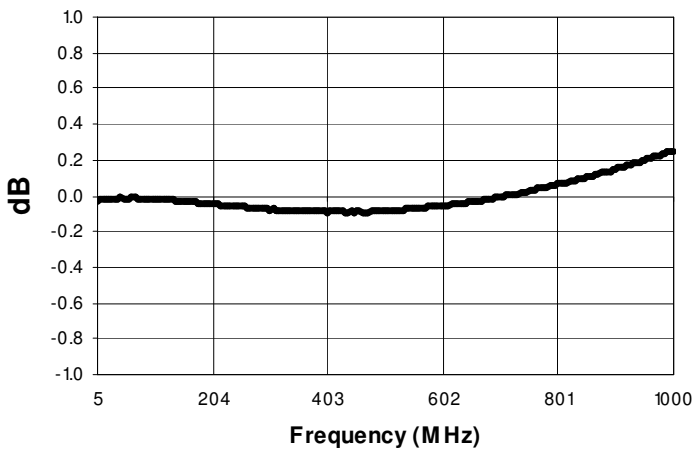
Insertion Loss 1: Pin 5 to 1



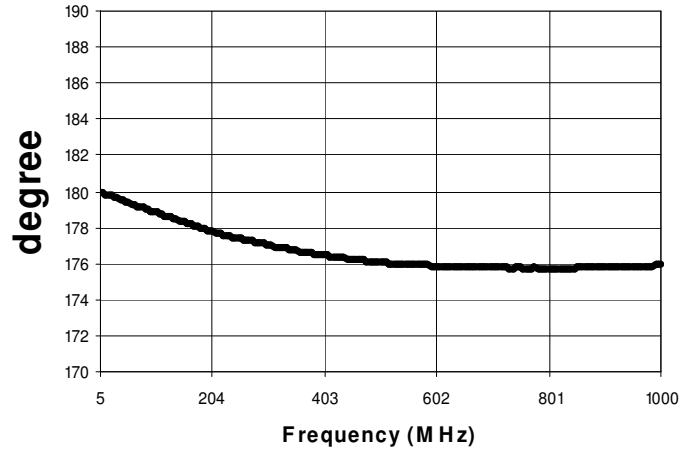
Insertion Loss 2: Pin 5 to 3



Amplitude Unbalance



Phase Balance



Input Return Loss

