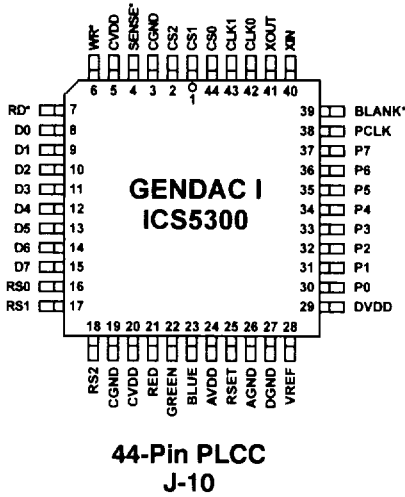




8-Bit Integrated Clock-LUT-DAC

Pin Configuration



Features

- Triple video DAC, dual clock generator, and a color palette
- 24, 16, 15 or 8-bit pseudo color pixel mode supports True Color, Hi-Color and VGA modes
- High speed 256 x 18 color palette (135 MHz) with bypass mode and 8-bit DACs
- Two fixed, six programmable video (pixel) clock frequencies (CLK0)
- One programmable memory (controller) clock frequency (CLK1)
- DAC power-down in blanking mode
- Low power operation
- Anti-sparkle circuitry
- On-chip loop filters reduce external components
- Standard CPU interface
- Single external crystal (typically 14.318 MHz)
- Monitor Sense
- Internal voltage reference
- 135 MHz (-3), 110 MHz (-2) and 80 MHz (-1) versions
- Very low clock jitter

Block Diagram

