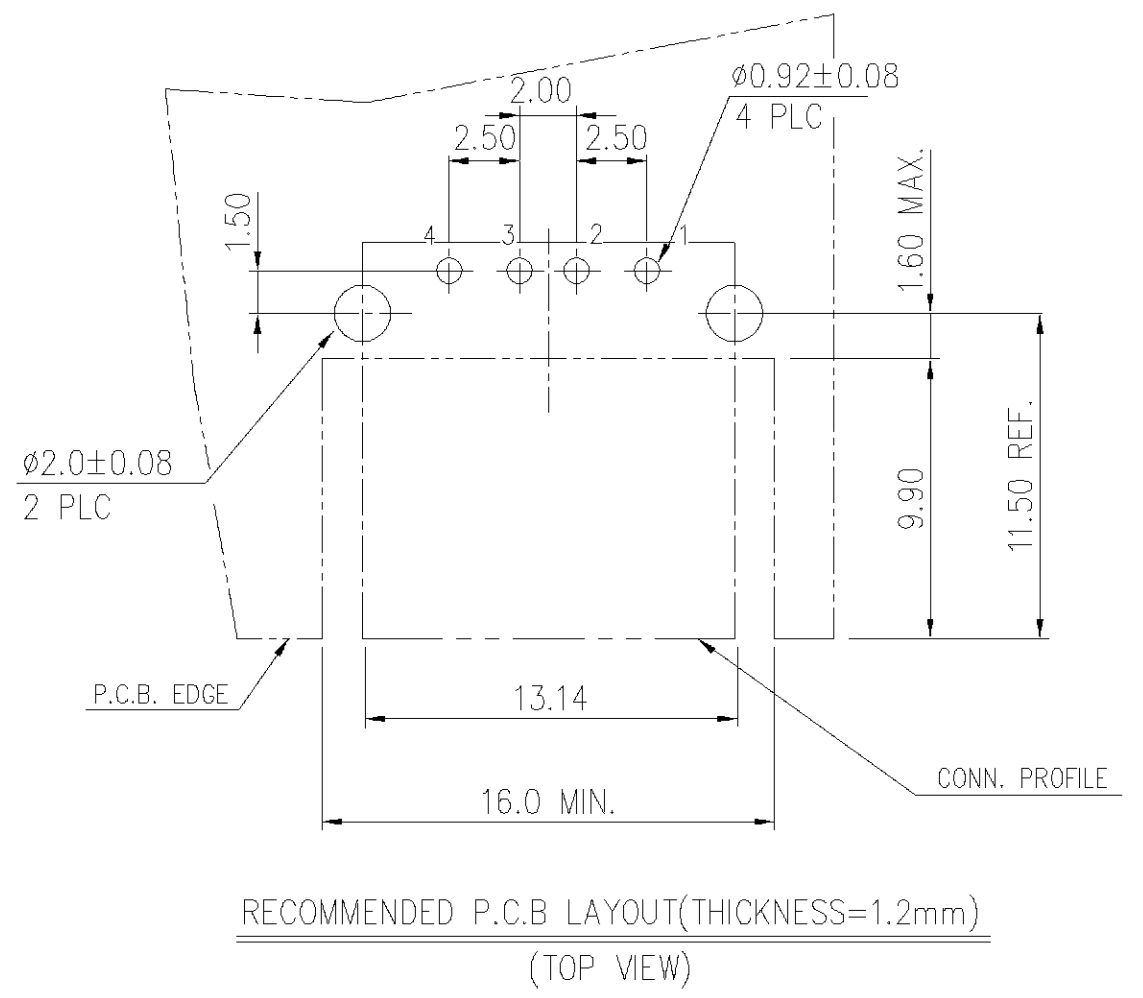
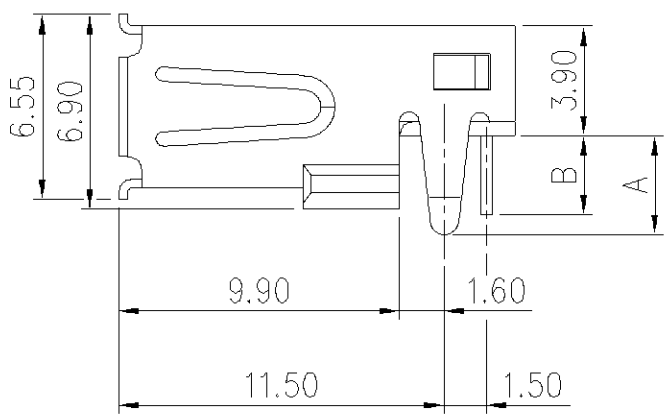
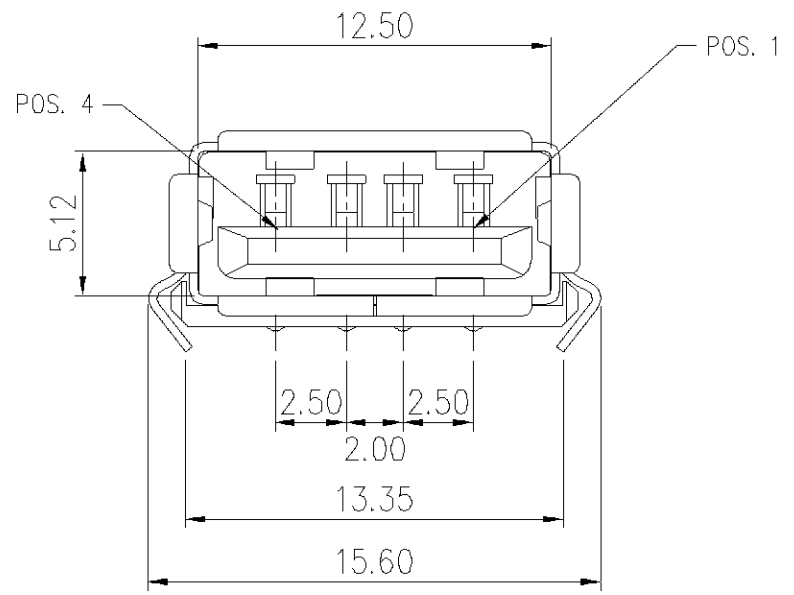
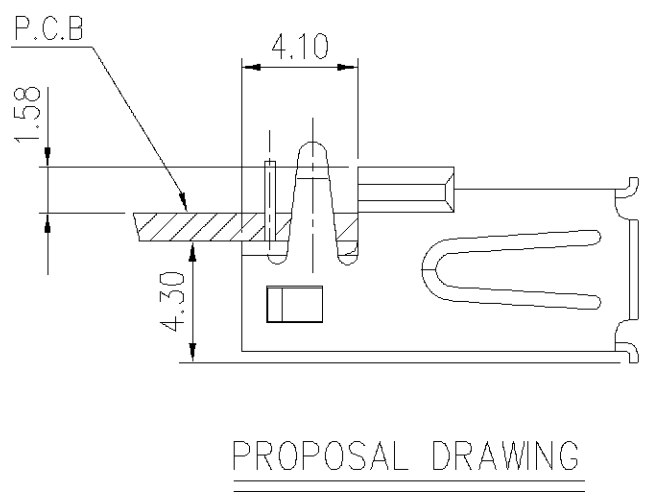
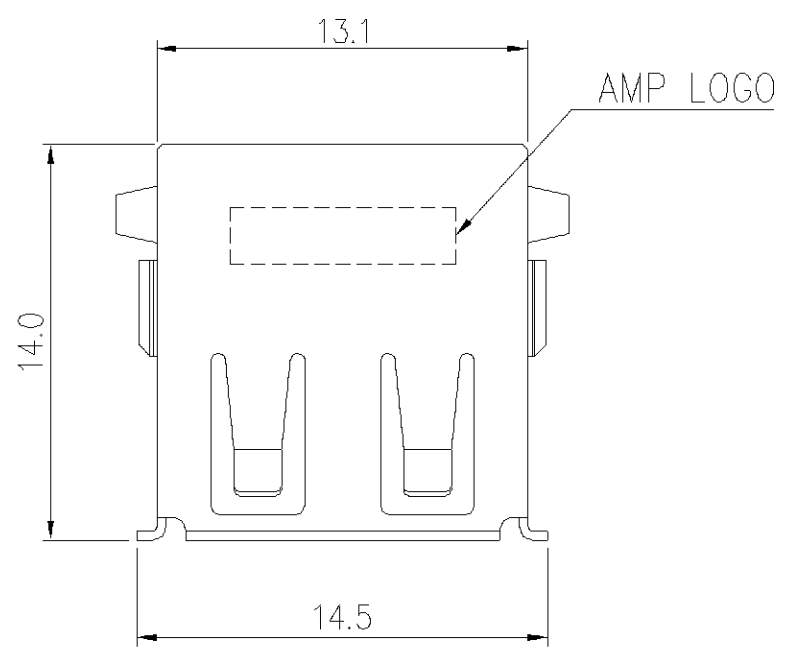


THIS INFORMATION IS CONFIDENTIAL AND IS DISCLOSED TO YOU ON CONDITION THAT NO FURTHER DISCLOSURE IS MADE BY YOU TO OTHER THAN AMP PERSONNEL WITHOUT WRITTEN AUTHORIZATION FROM AMP (TAIWAN) LTD. DIMENSION IN MILLIMETERS. DO NOT SCALE PRINT.

NUMBER C-440314  
3RD ANGLE PROJECTION  
METRIC



NOTES :

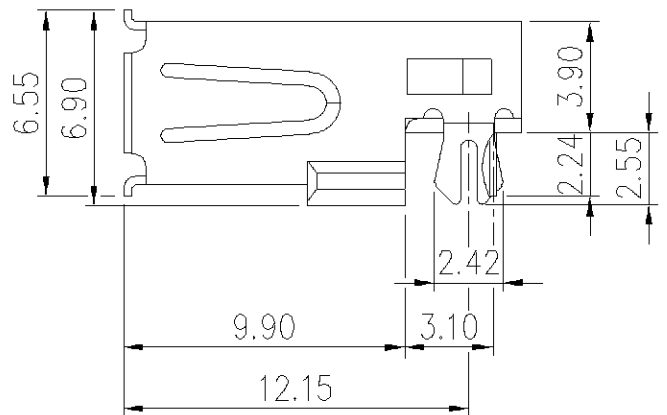
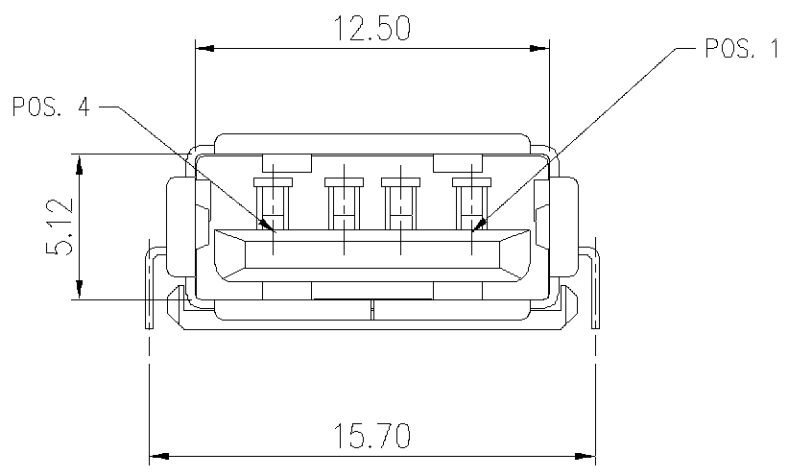
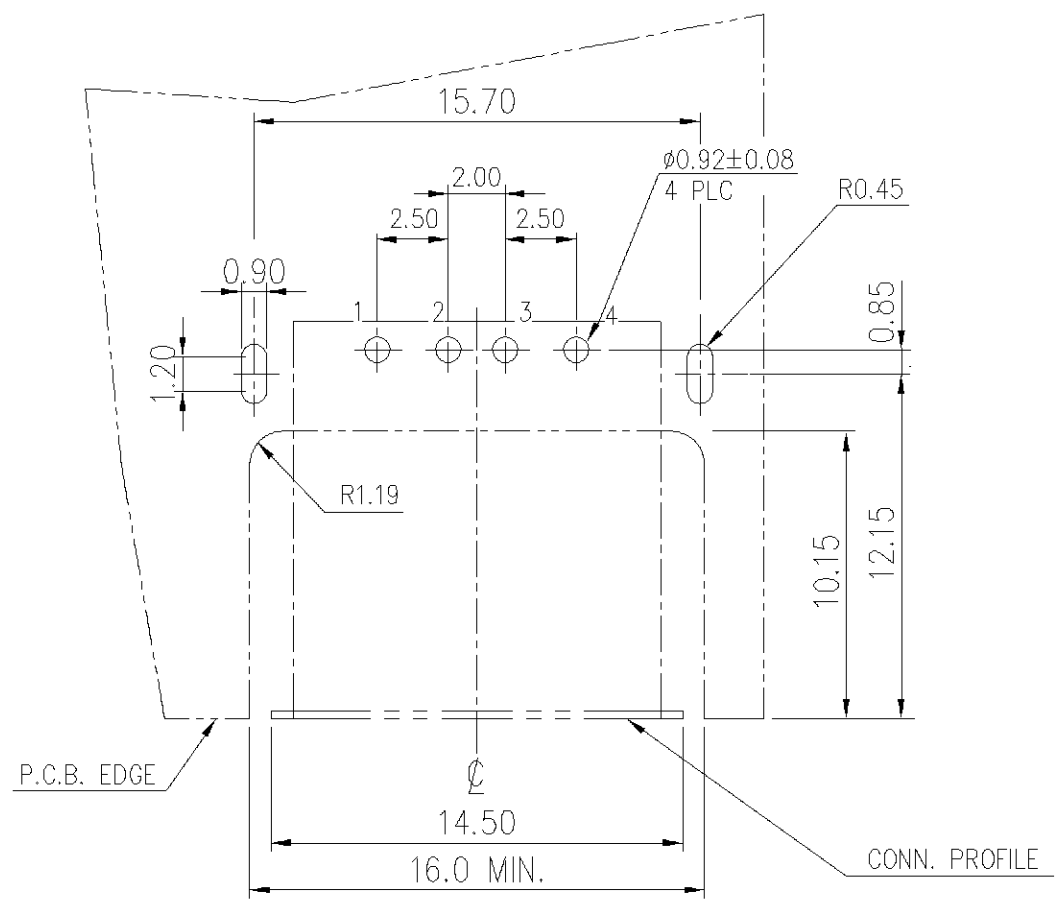
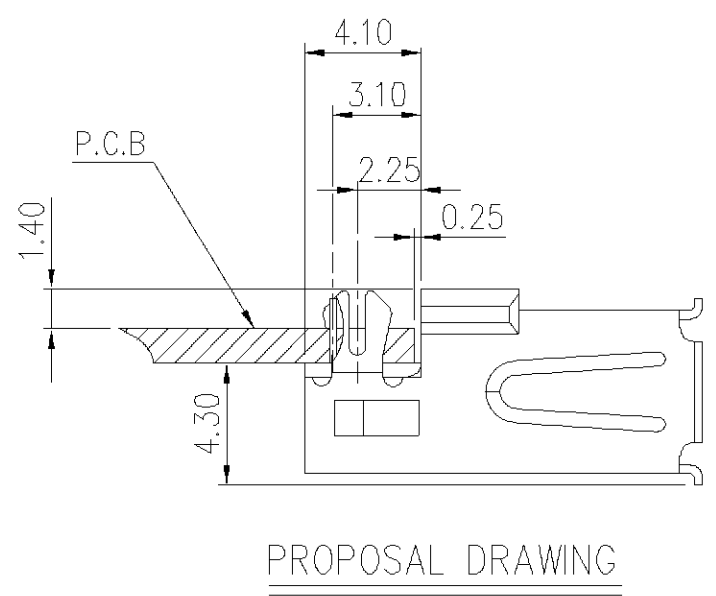
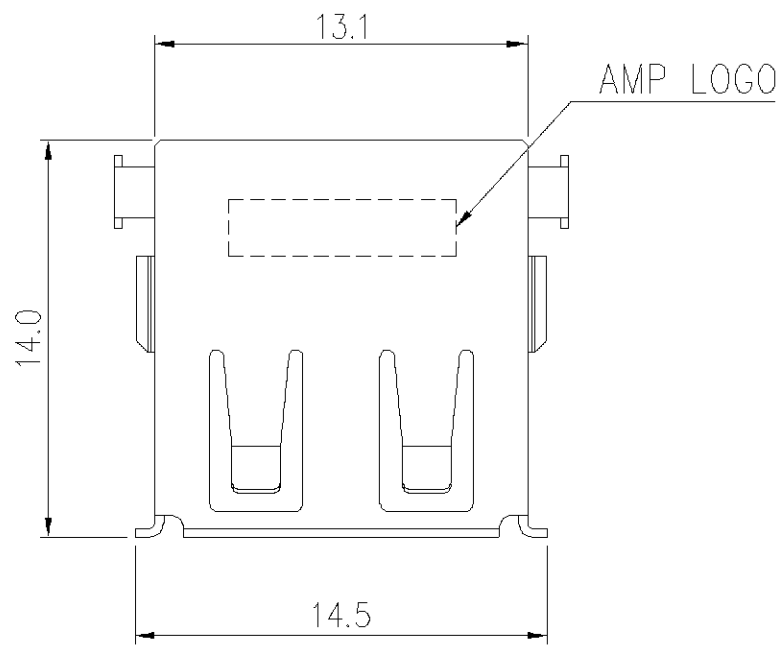
- MATERIAL:  
HOUSING : THERMOPLASTIC, GLASS FIBER FILLED.  
UL 94V-0 RATED, BLACK COLOR  
CONTACT : COPPER ALLOY (t=0.25mm).  
SHIELD : COPPER ALLOY (t=0.30mm).
- FINISH :  
CONTACT :  $\Delta 30 \mu$ " MIN. GOLD PLATING ON CONTACT AREA  
 $\Delta 15 \mu$ " MIN. GOLD PLATING ON CONTACT AREA  
120  $\mu$ " MIN. TIN-LEAD PLATING ON SOLDER TAILS  
50  $\mu$ " MIN. NICKEL UNDERPLATING OVERALL  
SHIELD :  $\Delta 120 \mu$ " MIN. NICKEL PLATING OVER  
50  $\mu$ " MIN. Cu UNDERPLATING OVERALL  
 $\Delta 20 \sim 80 \mu$ " TIN PLATING OVER  
40  $\mu$ " MIN. NICKEL UNDERPLATING

3. THE QUALIFICATION TEST REPORT : 501-57114.

$\Delta$	$\Delta$	2.80	3.50	440314-2
$\Delta$	$\Delta$	2.24	2.60	440314-1
SHIELD PLATING		GOLD PLATING	DIM B	DIM A
PART NUMBER				

TOLERANCES UNLESS OTHERWISE SPECIFIED: 0 PLC ± 1 PLC ±0.35 2 PLC ±0.25 3 PLC ± ANGLES ±	DWN	S. HOU 27-MAY-2003	TYCO HOLDINGS (BERMUDA) VII LTD. TAIWAN BRANCH	
	CHK	J. CHENG 27-MAY-2003		
MATERIAL  SEE NOTE	APVD	J. WU 27-MAY-2003	NAME USB A SERIES, LOW PROFILE, R/A, 4POS, DIP, REVERSE TYPE.	
	PRODUCT SPEC	108-57073	LOC DW	
FINISH  SEE NOTE	APPLICATION SPEC		SIZE <b>A</b> <sub>3</sub>	DRAWING NO C-440314
	WEIGHT		SCALE	REV D
			SHEET 1 OF 4	

D	ADDED P/N:-5	FZ00-0118-03	SH JC	27MAY 2003
C	ADD PART NUMBER	FZ00-0077-03	OH AW	25APR 2003
LTR	REVISION RECORD	ECN	DR CHK	DATE



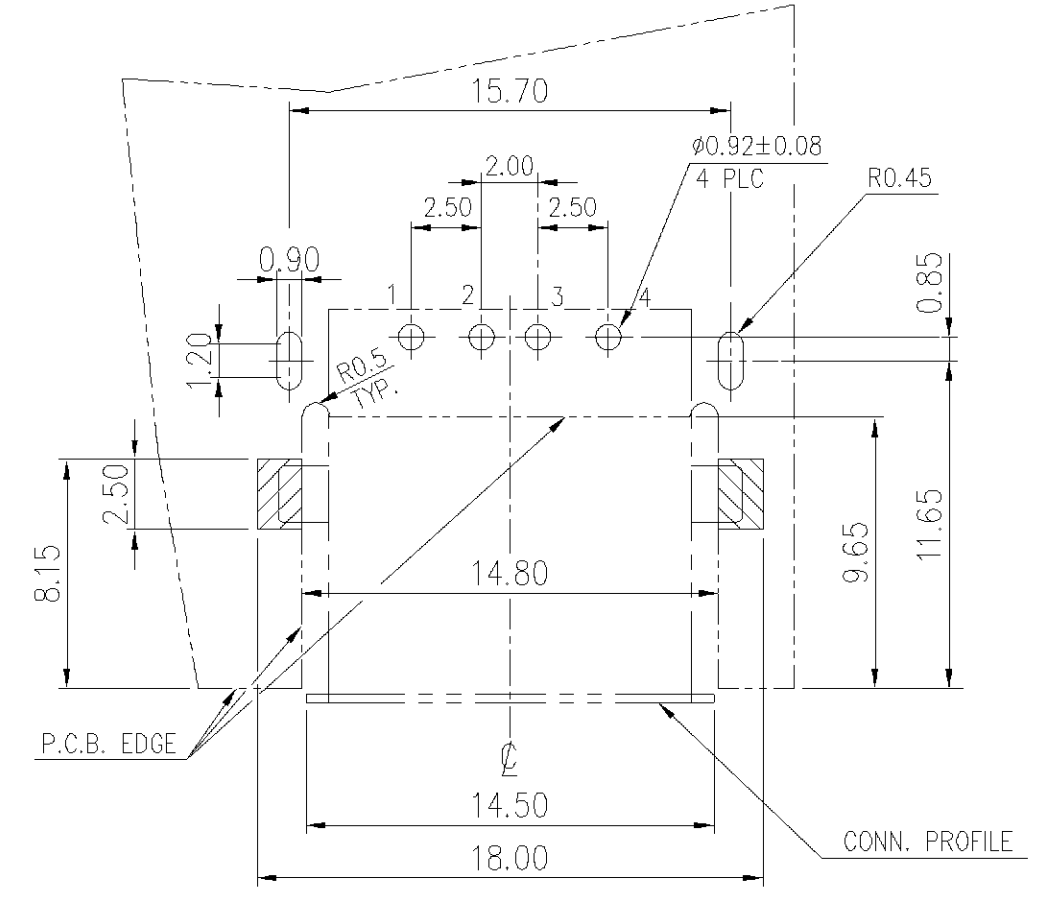
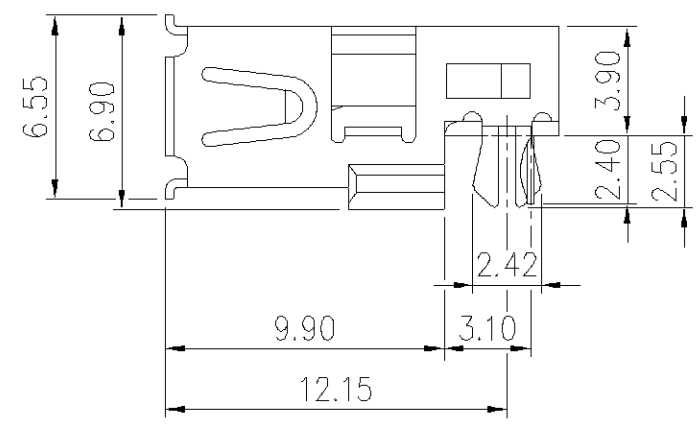
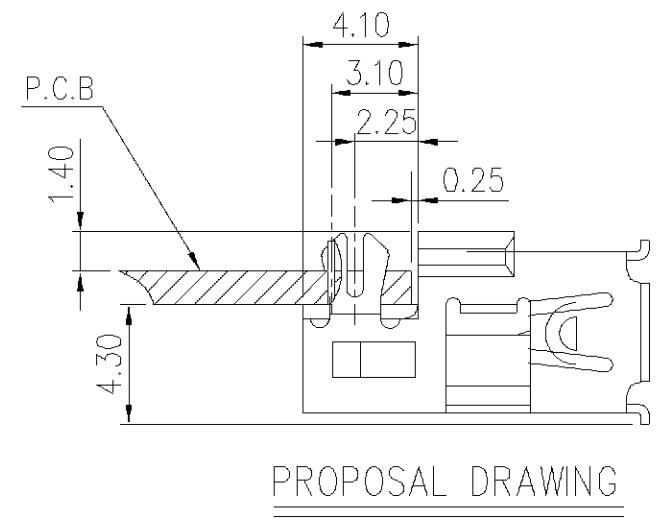
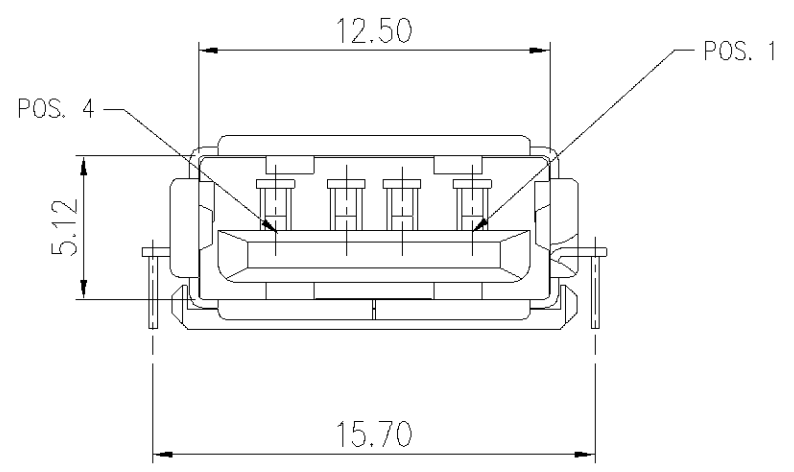
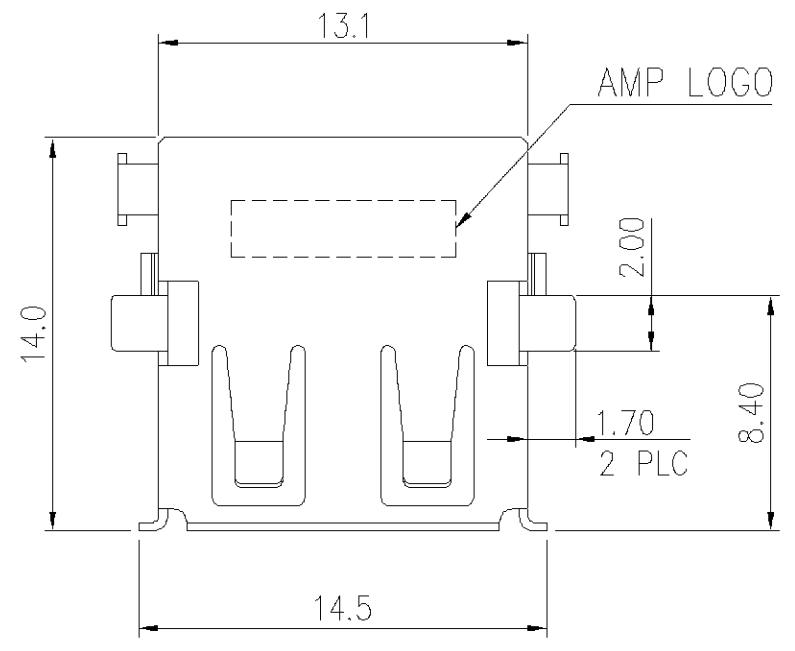
TOLERANCES UNLESS OTHERWISE SPECIFIED:	DWN	S. HOU	27-MAY-2003
0 PLC ±	CHK	J. CHENG	27-MAY-2003
1 PLC ±0.35	APVD	J. WU	27-MAY-2003
2 PLC ±0.25	PRODUCT SPEC		
3 PLC ±	APPLICATION SPEC		
ANGLES ±	WEIGHT		
MATERIAL	SEE SHEET 1		
FINISH	SEE SHEET 1		

SHIELD PLATING	GOLD PLATING	440314-3
TOLERANCES UNLESS OTHERWISE SPECIFIED:		
0 PLC ±		
1 PLC ±0.35		
2 PLC ±0.25		
3 PLC ±		
ANGLES ±		
MATERIAL		SEE SHEET 1
FINISH		SEE SHEET 1
LOC	SIZE	DRAWING NO
DW	A <sub>3</sub>	C-440314
SCALE		SHEET
--		2 OF 4

SEE SHEET 1	ECN	DR	CHK	DATE
LTR	REVISION RECORD			

THIS INFORMATION IS CONFIDENTIAL AND IS DISCLOSED TO YOU ON CONDITION THAT NO FURTHER DISCLOSURE IS MADE BY YOU TO OTHER THAN AMP PERSONNEL WITHOUT WRITTEN AUTHORIZATION FROM AMP (TAIWAN) LTD. DIMENSION IN MILLIMETERS. DO NOT SCALE PRINT.

METRIC  
3RD ANGLE PROJECTION  
NUMBER C-440314

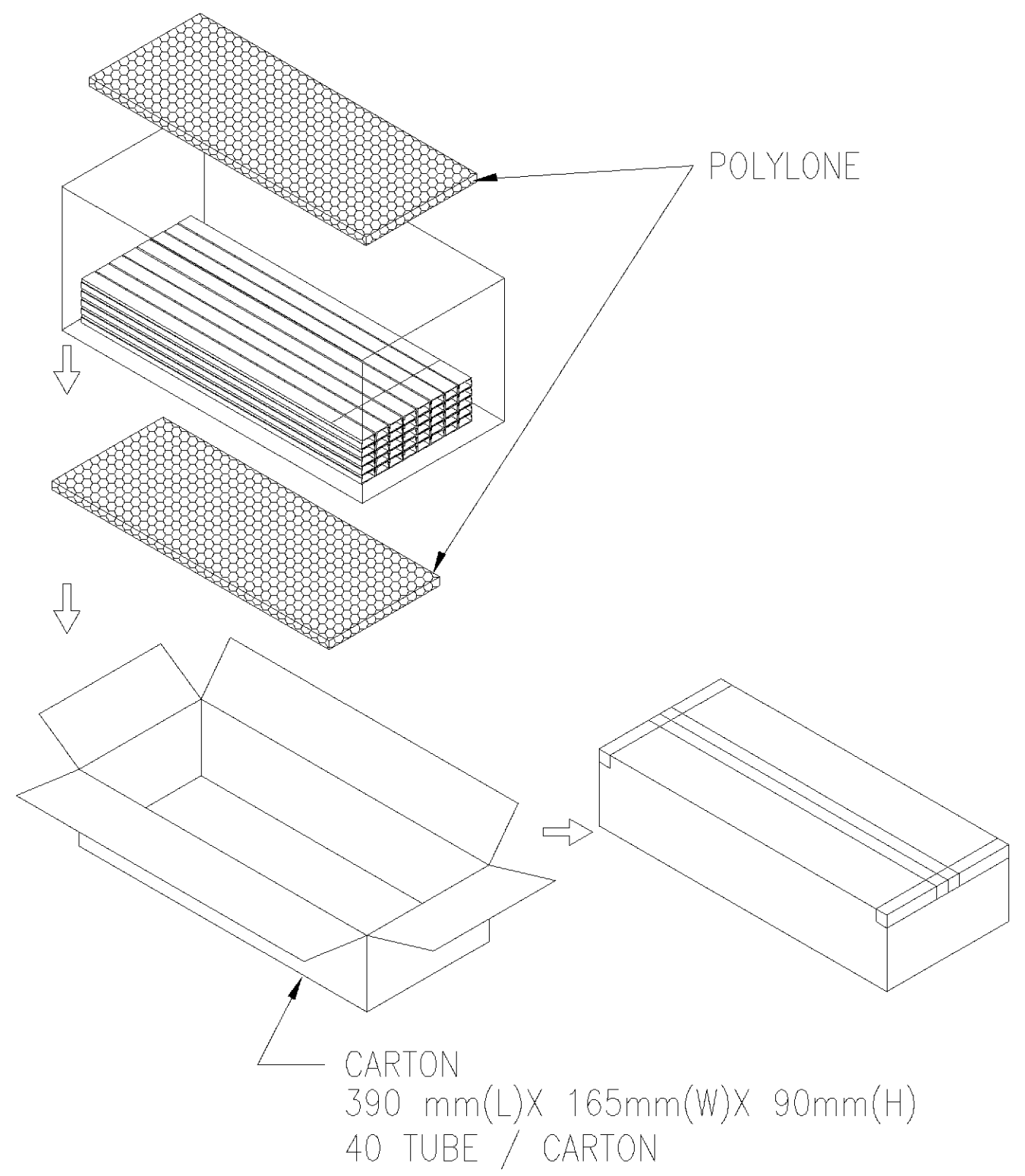
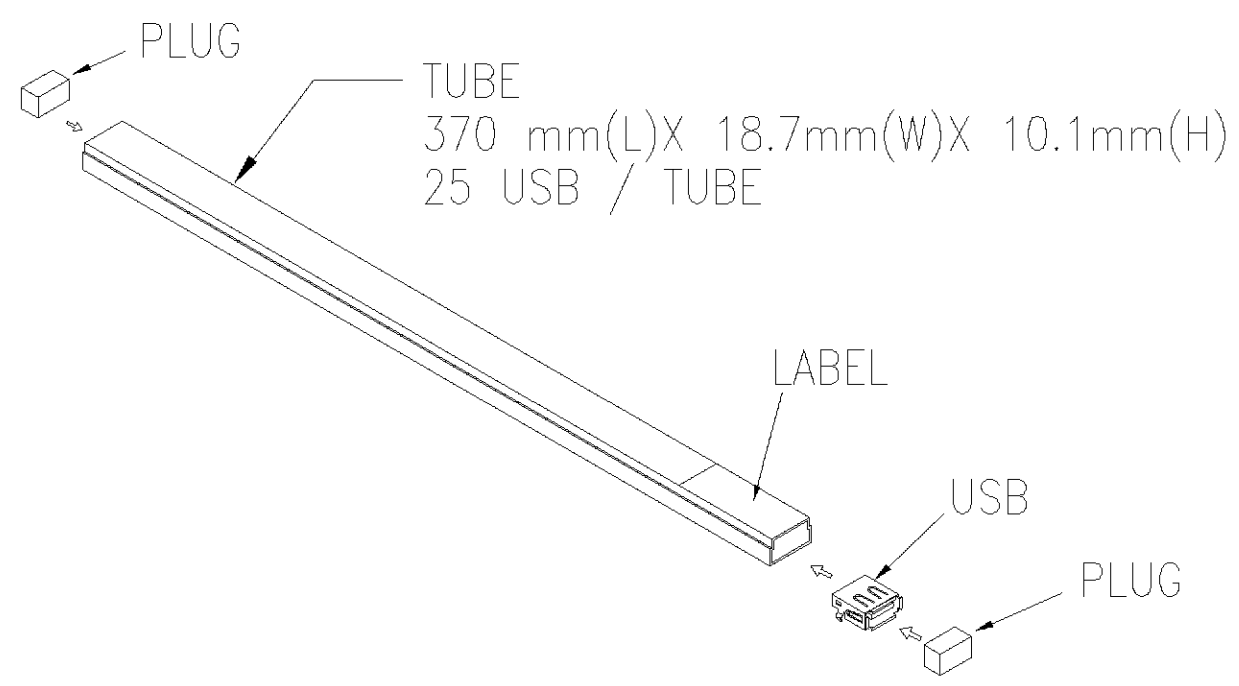


A	B	440314-5
B	A	440314-4
SHIELD PLATING	GOLD PLATING	PART NUMBER

TOLERANCES UNLESS OTHERWISE SPECIFIED: 0 PLC ± 1 PLC ±0.35 2 PLC ±0.25 3 PLC ± ANGLES ±	DWN	S. HOU 27-MAY-2003	TYCO HOLDINGS (BERMUDA) VII LTD. TAIWAN BRANCH
	CHK	J. CHENG 27-MAY-2003	
MATERIAL  SEE NOTE	APVD	J. WU 27-MAY-2003	NAME  USB A SERIES, LOW PROFILE, R/A, 4POS, DIP, REVERSE TYPE.
	PRODUCT SPEC		
FINISH  SEE NOTE	APPLICATION SPEC		LOC DW
	WEIGHT		SCALE
		DRAWING NO C-440314	REV D
		SHEET 3 OF 4	

SEE SHEET 1	ECN	DR	CHK	DATE
LTR	REVISION RECORD			

THIS INFORMATION IS CONFIDENTIAL AND IS DISCLOSED TO YOU ON CONDITION THAT NO FURTHER DISCLOSURE IS MADE BY YOU TO OTHER THAN AMP PERSONNEL WITHOUT WRITTEN AUTHORIZATION FROM AMP (TAIWAN) LTD. DIMENSION IN MILLIMETERS. DO NOT SCALE PRINT.



SEE SHEET 1			
LTR	REVISION RECORD	ECN	DR / CHK / DATE

TOLERANCES UNLESS OTHERWISE SPECIFIED: 0 PLC ± 1 PLC ±0.35 2 PLC ±0.25 3 PLC ± ANGLES ±	DWN	S. HOU 27-MAY-2003	TYCO HOLDINGS (BERMUDA) VII LTD. TAIWAN BRANCH
	CHK	J. CHENG 27-MAY-2003	
MATERIAL  SEE NOTE	APVD	J. WU 27-MAY-2003	NAME USB A SERIES, LOW PROFILE, R/A, 4POS, DIP, REVERSE TYPE.
	PRODUCT SPEC		
FINISH  SEE NOTE	APPLICATION SPEC		LOC DW A <sub>3</sub>
	WEIGHT		DRAWING NO C-440314 REV D
		SCALE --	SHEET 4 OF 4