

RED INDICATES ORIGINAL

4

3

2

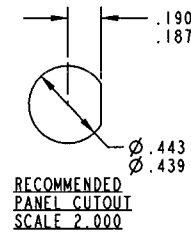
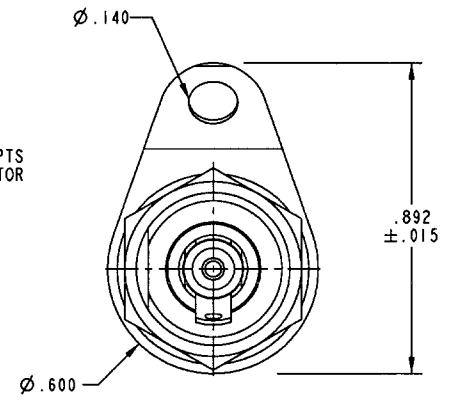
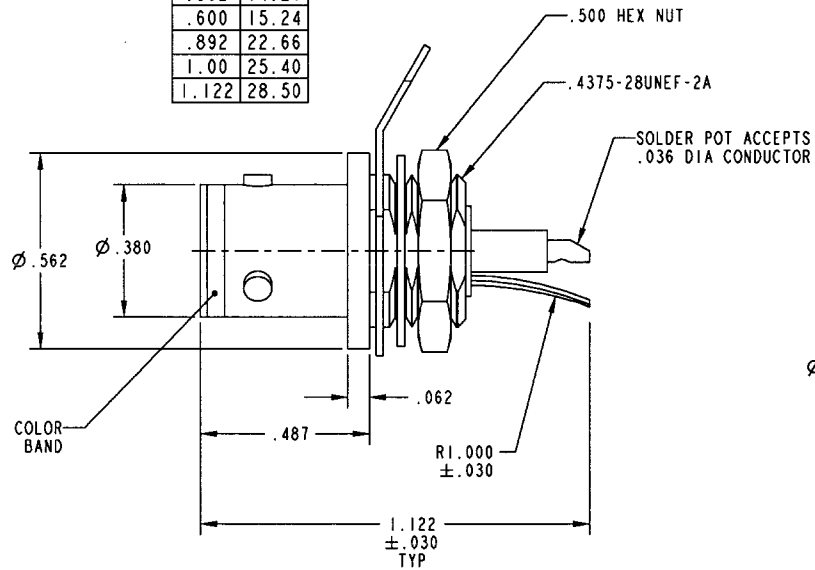
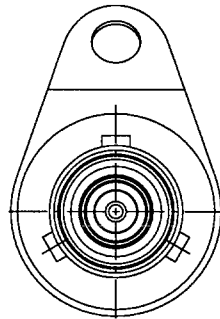
1

KEYING LETTER	A°	B°	C°	COLOR BAND
NONE	120°	120°	120°	NONE
S	135°	135°	90°	WHITE
T	100°	150°	110°	RED
U	120°	130°	110°	ORANGE
V	115°	130°	115°	YELLOW
W	125°	110°	125°	GREEN
X	130°	100°	130°	BLUE
Y	110°	140°	110°	VIOLET
Z	100°	160°	100°	GRAY

INCH	MM
.005	0.13
.015	0.38
.030	0.76
.036	0.91
.062	1.57
.125	3.18
.140	3.56
.187	4.75
.190	4.83
.380	9.65
.439	11.15
.443	11.25
.487	12.37
.500	12.70
.562	14.27
.600	15.24
.892	22.66
1.00	25.40
1.122	28.50

DATA CONTAINED IN THIS DOCUMENT IS PROPRIETARY TO TROMPETER ELECTRONICS INC. AND SHALL NOT BE DISCLOSED, COPIED OR USED FOR PROCUREMENT OR MANUFACTURE WITHOUT EXPRESS WRITTEN PERMISSION.

REVISIONS			3-0001		SH 1
REV	ECO NO.	DESCRIPTION	DWN	APPROVED	DATE
W	11328	SH. 2 "D" FLAT PIN DEPTH WAS .200; B/W P/W 8-2149-3; WAS 8-2149-2; SEE ECO	SAC	<i>Bum; Fd</i>	<i>12/21</i>



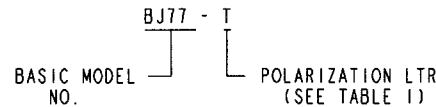
4. MAX PANEL THK .125

3. SOCKET CONTACT CONCENTRIC TWIAX/ TRIAX TRB SOLDER POT BULKHEAD MOUNT RECEPTACLE

2. FINISH: TFS-1A(NICKEL)

1. ALL DIM ARE IN INCHES

5. EXAMPLE OF COMPLETE MODEL NO:



QTY	DESCRIPTION		PART NUMBER		ITEM
TOL UNLESS SPECIFIED	TROMPETER		BJ77/S/T/U/V/		W
.XX ± .005 XXX ± XXXX ± ANGLE ±	ELECTRONICS, INC.®		W/X/Y/Z		
DWG	SAC	12-6-95	MATERIAL	CODE IDENT	DRAWING NO.
CHK	<i>Bum</i>	<i>12-6-95</i>	—	14949	3-0001
ENGR	—	—	—	—	—
SEE SH 3	APPR	<i>Fd</i>	SCALE 4/1	DATE	11-12-68 SHEET 1C

4

3

2

1