

PLEASE CHECK WWW.MOLEX.COM FOR LATEST PART INFORMATION

Part Number: [0743204004](#)

Status: **Active**

Overview: [MicroCross DVI Connectors and Cable Assemblies](#)

Description: MicroCross DVI-D Digital Visual Interface, PCB Receptacle, Polyester (PCT), Panel Mount, Through Hole, Right-Angle, Gold (Au) Flash, 2.34mm PC Tail Length, Lead-Free, Screw Hole, 4-40 Thread, 24 Circuits

Documents:

3D Model	Product Specification TS-74320-001-001 (PDF)
Drawing (PDF)	Packaging Specification PK-74320-010-002 (PDF)
3D Model (PDF)	RoHS Certificate of Compliance (PDF)
Product Specification PS-74320-001-001 (PDF)	

Agency Certification

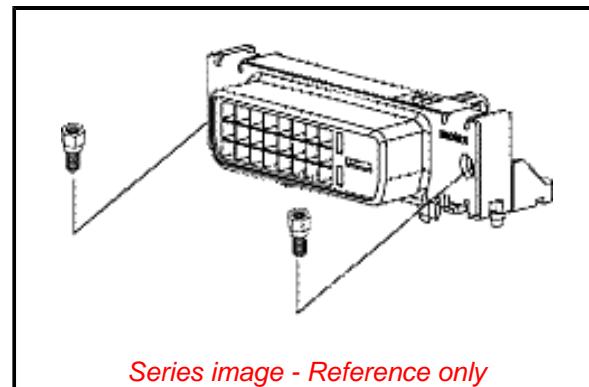
UL E29179

General

Product Family	I/O Connectors
Series	74320
Application	Wire-to-Board
Comments	DDWG (Digital Display Working Group) Standard
Component Type	Receptacle
Electrical Model	Yes
Overview	MicroCross DVI Connectors and Cable Assemblies
Product Name	MicroCross DVI
Taxonomy	I/O Connectors
Type	N/A
UPC	800754009997

Physical

Boot Color	N/A
Circuits (Loaded)	24
Circuits (maximum)	24
Color - Resin	Natural
Durability (mating cycles max)	100
Flammability	94V-0
Gender	Receptacle
Keying to Mating Part	Yes
Lock to Mating Part	Yes
Material - Metal	Copper Alloy
Material - Plating Mating	Gold
Material - Plating Termination	Tin
Net Weight	6.611/g
Number of Rows	3
Orientation	Right Angle
PC Tail Length	2.34mm
PCB Locator	Yes
PCB Retention	Yes
Packaging Type	Tray
Panel Mount	Yes
Pitch - Mating Interface	1.90mm
Pitch - Termination Interface	1.90mm
Plating min - Mating	0.051µm
Plating min - Termination	2.540µm
Polarized to Mating Part	Yes
Polarized to PCB	Yes
Ports	1



Series image - Reference only

EU ELV

Not Relevant

EU RoHS

Compliant

REACH SVHC

Not Contained per -
D(2022)9120-DC (17
Jan 2023)

Halogen-Free

Status

Low-Halogen

For more information, please visit [Contact US](#)

China ROHS

ELV

RoHS Phthalates

China RoHS

Green Image

Not Relevant

Not Contained

Search Parts in this Series

[74320 Series](#)

Mates With

[88744](#) , [74323](#)

Use With

Mounting Hardware [717810001](#) , [820070300](#)
, [887806066](#)

Surface Mount Compatible (SMC)	No
Temperature Range - Operating	-20° to +85°C
Termination Interface: Style	Through Hole
Waterproof / Dustproof	No
Wire Size AWG	N/A

Electrical

Current - Maximum per Contact	3.0A
Grounding to Panel	Yes
Shield Type	Full Shield
Shielded	Yes
Voltage - Maximum	40V AC (RMS)

Solder Process Data

Lead-free Process Capability	WAVE
------------------------------	------

Material Info**Reference - Drawing Numbers**

Electrical Model Document	EE-74320-001-001
Packaging Specification	PK-74320-010-002
Product Specification	PS-74320-001-001, TS-74320-001-001
S-Parameter Model	SP-74320-001-001
Sales Drawing	SD-74320-003-000

This document was generated on 04/24/2023

PLEASE CHECK WWW.MOLEX.COM FOR LATEST PART INFORMATION