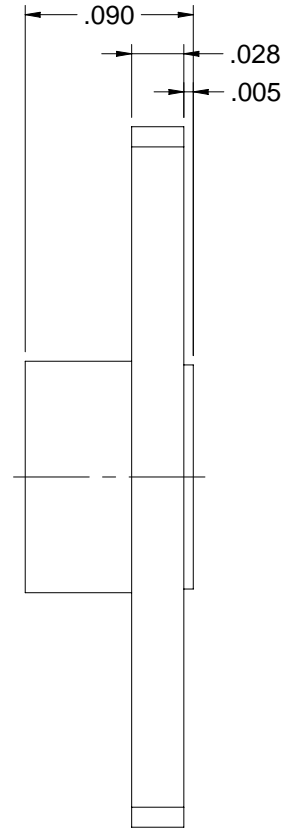
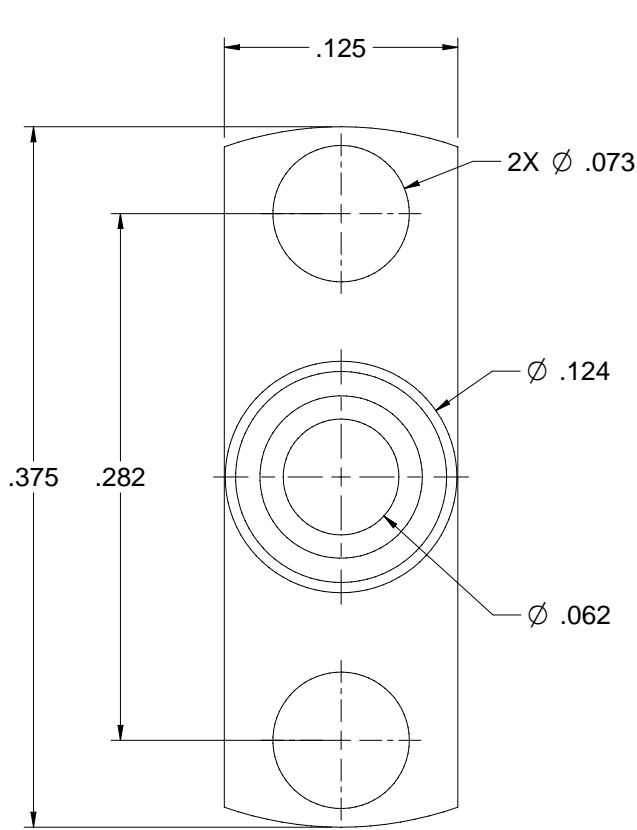


PART NUMBER	MATERIAL	FINISH
125-2701-602	STAINLESS STEEL	PASSIVATED

DRAWING NO.	
125-2701-602-CUST	
REVISIONS	
01	RELEASE
07-27-13	T T R L ECO-13-0205



SPECIFICATION:

IMPEDANCE: 50 OHMS
 FREQUENCY RANGE: 0-40 GHz
 VSWR: DEPENDANT ON APPLICATION
 DIELECTRIC WITHSTANDING VOLTAGE: 325 VRMS MIN AT SEA LEVEL
 INSULATION RESISTANCE: 5000 MEGOHM MIN
 CONTACT RESISTANCE:
 CENTER CONTACT - INITIAL 6 MILLIOHM MAX, AFTER ENVIRONMENTAL NOT APPLICABLE
 OUTER CONDUCTOR - INITIAL 2 MILLIOHM MAX, AFTER ENVIRONMENTAL NOT APPLICABLE
 RF LEAKAGE: NOT APPLICABLE

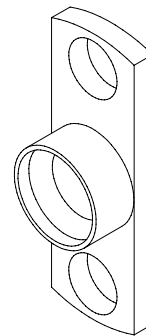
MECHANICAL:

ENGAGEMENT FORCE: 2.5 LBS TYPICAL
 DISENGAGEMENT FORCE: 1.5 LBS TYPICAL
 CONTACT RETENTION: 1.5 LBS MIN AXIAL FORCE
 DURABILITY: 500 CYCLES MIN

ENVIRONMENTAL:

OPERATING TEMPERATURE: -65 TO 165°C
 THERMAL SHOCK: MIL-STD-202, METHOD 107, CONDITION B
 MECHANICAL SHOCK: MIL-STD-202, METHOD 213, CONDITION I
 CORROSION: MIL-STD-202, METHOD 101
 VIBRATION: MIL-STD-202, METHOD 204
 MOISTURE RESISTANCE: MIL-STD-202, MEHTOD 106, EXCEPT STEP 7B

PACKAGE: 5PCS PER BAG.



10:1

CUSTOMER COPY

TOLERANCE UNLESS OTHERWISE SPECIFIED		DRAWN BY	DATE
		TONY. T	07-27-13
DECIMALS	INCH	CHECKED BY	DATE
X.X	+0.02	ROBERT. SH	07-27-13
X.XX	+0.01	APPROVED BY	DATE
X.XXX	+0.005	LIN. M	07-27-13
ANGLES	+ 0.5°	U/M	INCH

		Connectivity Solutions	
TITLE			
SMPM MALE SMOOTH BORE 2-HOLE FLANGE SHROUD(WITHOUT CONTACT)			
SHEET	DRAWING NO.	SIZE	
1 OF 1	125-2701-602-CUST	C	

THIS DRAWING WAS PRODUCED BY COMPUTER, DO NOT SCALE DRAWING OR UPDATE MANUALLY.