

<a href="#">Home</a>	<a href="#">Products</a>	<a href="#">Solutions</a>	<a href="#">Aavid Design</a>	<a href="#">Tools &amp; Docs</a>	<a href="#">Contact</a>	<a href="#">Company</a>	<a href="#">Online Store</a>
----------------------	--------------------------	---------------------------	------------------------------	----------------------------------	-------------------------	-------------------------	------------------------------

- » [Bonded Fin](#)
- » [Augmented](#)
- » [Standard](#)
- » [Custom](#)

## Standard Bonded Fin

### Natural Convection Models

Part Number	RoHS	PCN	Fig.	Flanges	Finish	A Dim	B Dim	°C/W
476700U00000		N/A	1	None	Unfinished	178 mm [7.0"]	n/a	0.30
476700C00000		N/A	1	None	Gold Chromate	178 mm [7.0"]	n/a	0.30
476700L00000		N/A	1	None	Clear Chromate	178 mm [7.0"]	n/a	0.30
476900U00000		N/A	2	25 mm [1"] wide	Unfinished	178 mm [7.0"]	64 mm [2.50"]	0.30
476900C00000		N/A	2	25 mm [1"] wide	Gold Chromate	178 mm [7.0"]	64 mm [2.50"]	0.30
476900L00000		N/A	2	25 mm [1"] wide	Clear Chromate	178 mm [7.0"]	64 mm [2.50"]	0.30
477000U00000		N/A	2	25 mm [1"] wide	Unfinished	305 mm [12.0"]	127 mm [5.00"]	0.22
477000C00000		N/A	2	25 mm [1"] wide	Gold Chromate	305 mm [12.0"]	127 mm [5.00"]	0.22
477000L00000		N/A	2	25 mm [1"] wide	Clear Chromate	305 mm [12.0"]	127 mm [5.00"]	0.22

- » [Find a Sales Associate](#)
- » [Find a Distributor](#)

[Request a Sample](#) ▶

[Request a Quote](#) ▶

[Ask an Engineer](#) ▶

- Technical
- [Building a part #](#)
  - [FAQs for Bonded Fin](#)
  - [Why Bonded Fin](#)
  - [Thermal Resistance Tool](#)

Figure 1: Unflanged Mechanical Drawing

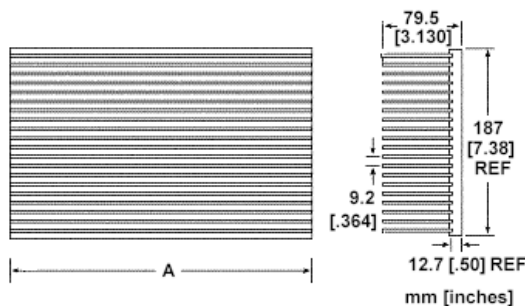
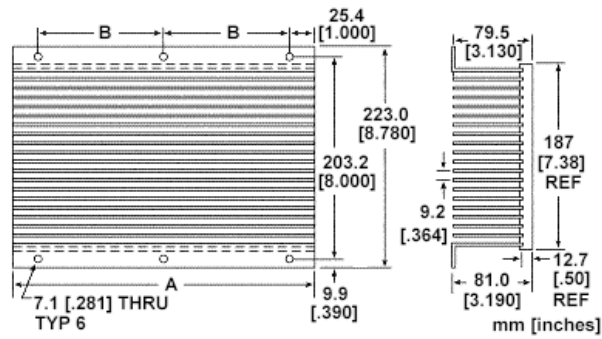


Figure 2: Flanged Mechanical Drawing



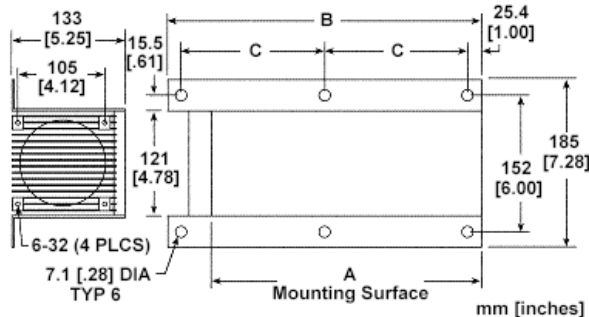
Forced Convection Models

Part Number	RoHS	PCN	Fig.	Finish	A Dim	B Dim	C Dim	°C/W*
476200U00000	RoHS Compliant	N/A	3	Unfinished	178 mm [7.0"]	241 mm [9.50"]	95 mm [3.75"]	0.08
476200C00000	RoHS Compliance PENDING	N/A	3	Gold Chromate	178 mm [7.0"]	241 mm [9.50"]	95 mm [3.75"]	0.08
476200L00000	RoHS Compliance PENDING	N/A	3	Clear Chromate	178 mm [7.0"]	241 mm [9.50"]	95 mm [3.75"]	0.08
476300U00000	RoHS Compliant	N/A	3	Unfinished	305 mm [12.0"]	368 mm [14.50"]	159 mm [6.25"]	0.06
476300C00000	RoHS Compliance PENDING	N/A	3	Gold Chromate	305 mm [12.0"]	368 mm [14.50"]	159 mm [6.25"]	0.06
476300L00000	RoHS Compliance PENDING	N/A	3	Clear Chromate	305 mm [12.0"]	368 mm [14.50"]	159 mm [6.25"]	0.06
476400U00000	RoHS Compliant	N/A	4	Unfinished	305 mm [12.0"]	371 mm [14.59"]	152 mm [6.00"]	0.028
476400C00000	RoHS Compliance PENDING	N/A	4	Gold Chromate	305 mm [12.0"]	371 mm [14.59"]	152 mm [6.00"]	0.028
476400L00000	RoHS Compliance PENDING	N/A	4	Clear Chromate	305 mm [12.0"]	371 mm [14.59"]	152 mm [6.00"]	0.028
476600U00000G	RoHS Compliant		4	Unfinished	406 mm [16.0"]	472 mm [18.59"]	203 mm [8.00"]	0.024
476600C00000		N/A	4	Gold Chromate	406 mm [16.0"]	472 mm [18.59"]	203 mm [8.00"]	0.024

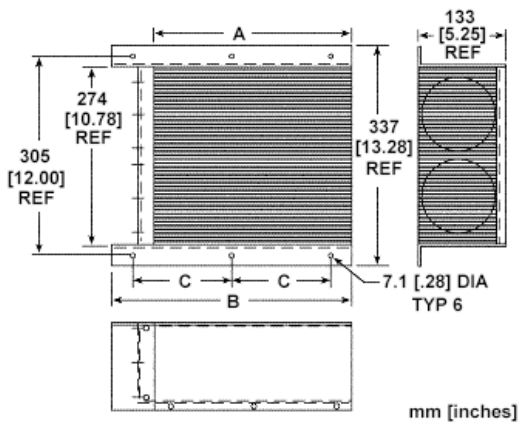
476600L00000	RoHS Compliance <b>PENDING</b> RoHS Compliance <b>PENDING</b>	N/A	4	Clear Chromate	406 mm [16.0"]	472 mm [18.59"]	203 mm [8.00"]	0.024
--------------	--	-----	---	----------------	-------------------	--------------------	-------------------	-------

\* Thermal performance based on 100 CFM fan(s). Mounting pattern shown fits standard "muffin" fan(s)

**Figure 3: Single Fan Mount Mechanical Drawing**



**Figure 4: Dual Fan Mount Mechanical Drawing**



**Options**

120 VAC fans may also be added to the bonded fin heat sink. When ordering, add the following number designation to the end of the part number.

Number of Fans	Designation
1	01100
2	02200

**Example:**

To order the forced convection part #476600 with a gold chromate finish and two 120 VAC fans, use 476600C02200.

- Customer Assistance**  
[Contact Us](#)  
[Get Design assistance](#)  
[Find a Distributor](#)  
[Find a Sales Rep](#)  
[Request a Quote](#)  
[Placing an Order](#)  
[Terms and Conditions](#)  
[Returns](#)

- Popular Products**  
[Extrusions](#)  
[Board Level](#)  
[Liquid Cooling](#)  
[Heat Pipe Technology](#)  
[Heat Sink Accessories](#)  
[Interface Materials](#)

- Our Company**  
[About Aavid](#)  
[News and Events](#)  
[Management Team](#)  
[Worldwide Locations](#)  
[Directions to Headquarters](#)  
[Disclaimer](#)  
[Customer Survey](#)  
[Privacy Policy](#)

Sign up to receive Aavid news & alerts

email address



extraordinary speed and will provide them with timely and cost-effective solutions because we understand their needs, their industry, and their culture. 2012 Aavid Thermalloy, LLC