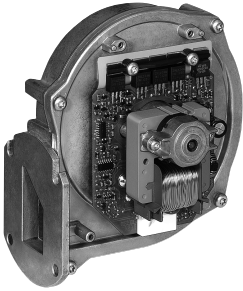


RG100/1100-2012

# EC centrifugal fan

single inlet

with housing (flange), Gas blower for gas-condensing heating



## ebm-papst Landshut GmbH

Hofmark-Aich-Straße 25

D-84030 Landshut

Phone: +49(0)871/707-0

Fax: +49(0)871/707-465

info3@de.ebmpapst.com

www.ebmpapst.com

## Nominal data

Type	RG100/1100-2012	
Nominal voltage	VDC	24
Speed	min <sup>-1</sup>	7300
Power input	W	20
Air flow	m <sup>3</sup> /h	50

ml = max. load · me = max. efficiency · rfa = running at free air · cs = customer specs · cu = customer unit  
Subject to alterations

## Technical features

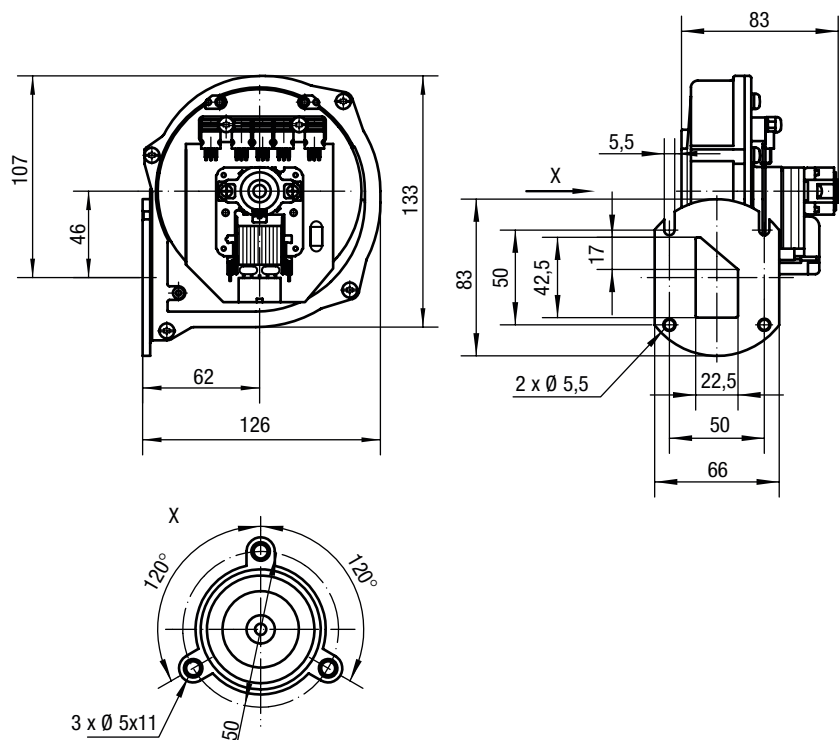
Mounting position	Shaft horizontal
Bearing	Sintered sleeve bearing
Mass	0.7 kg
Housing material	Die-cast aluminum

# EC centrifugal fan

single inlet

with housing (flange), Gas blower for gas-condensing heating

## Product drawing

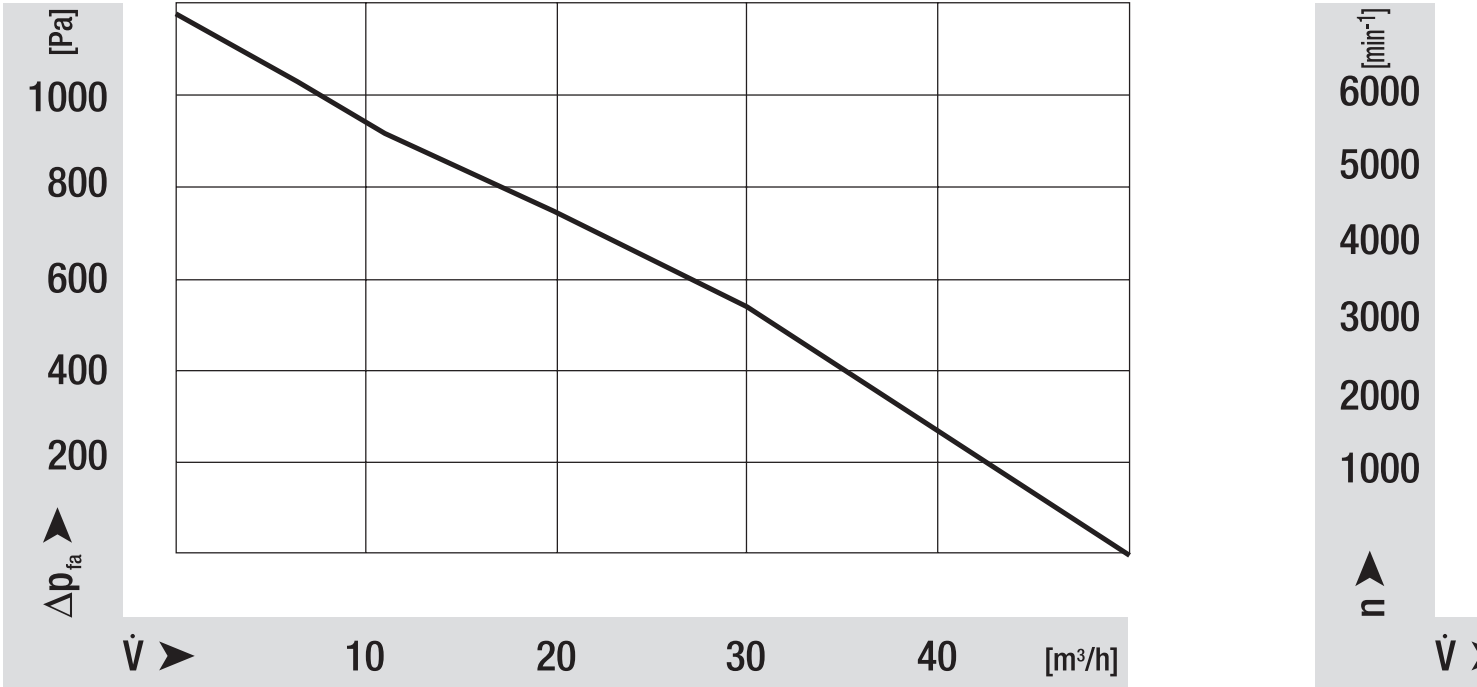


# EC centrifugal fan

single inlet

with housing (flange), Gas blower for gas-condensing heating

## Charts: Air flow



# EC centrifugal fan

single inlet

with housing (flange), Gas blower for gas-condensing heating

## Charts: Speed

