



Models 7008 & 7009 SMA Blind-Mate Connectors

dc to 40.0 GHz

Pressurized & Unpressurized



Features

- /// **Threadless Connector Mating** - This blind-mate connector series provides threadless connector mating which is useful when mating an array of connectors on one RF module to another array within seconds. Each connector pair will tolerate a radial and axial offset of 0.02 inch and still meet all of its electrical specifications.
- /// **Space Saving** - These connectors can simplify RF connections in the most inaccessible regions and high package density systems where conventional threaded connector mating is extremely difficult.
- /// **Spring Loaded Contacts** - Model 7008 & 7009 feature spring loaded contact areas for extremely long contact life.

Specifications

NOMINAL IMPEDANCE: 50 Ω

FREQUENCY RANGE: dc to 40.0 GHz

| 7008 & 7009 INSERTION LOSS (dB) & SWR*: | | |
|---|----------------|---------------|
| Frequency (GHz) | Loss (maximum) | SWR (maximum) |
| dc - 18 | 0.3 | 1.30 |
| 18 - 26.5 | 0.8 | 1.40 |
| 26.5 - 40 | 1.5 | 1.65 |

*Specifications are for mated pair (Mated pair can be any combination of Model 7008 and 7009).

| 7009-1 INSERTION LOSS (dB) & SWR*: | | |
|------------------------------------|----------------|---------------|
| Frequency (GHz) | Loss (maximum) | SWR (maximum) |
| dc - 18 | 0.50 | 1.35 |
| 18 - 40 | 0.75 | 1.60 |

*When mated with 7009 floating blindmate.

HYDROSTATIC PRESSURE: 1000 PSI (Model 7008 only)

STATIC PRESSURE: 50 PSI (Model 7008 only)

TEMPERATURE RANGE: -50°C to +125°C

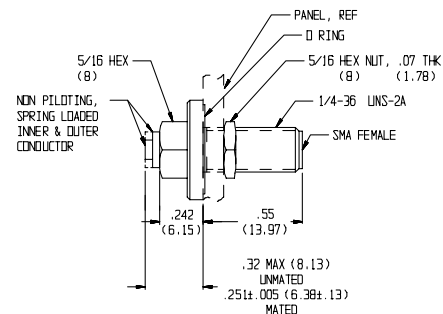
CONNECTORS: Models 7008 & 7009: Stainless Steel SMA connectors per MIL-STD-348 interface dimensions - mate nondestructively with MIL-C-39012 connectors.

Model 7009-1: 2.92 mm connectors - mate nondestructively with SMA, 3.5mm and other 2.92 mm connectors.

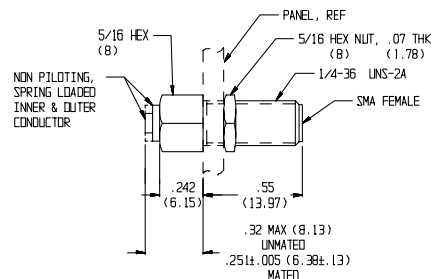
WEIGHT: 2 oz, (56.7 g) maximum

PHYSICAL DIMENSIONS:

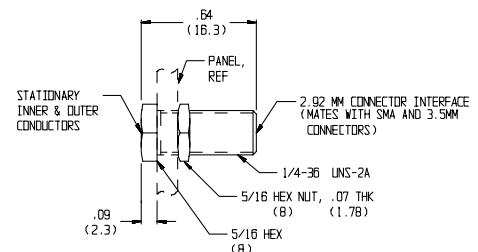
Model 7008 (Pressurized)



Model 7009 (Unpressurized)



Model 7009-1 (Unpressurized, Fixed Surface)



NOTE: All dimensions are given in mm (inches) and are maximum, unless otherwise specified.