

MATERIALS AND FINISHES

BODY, BRASS  
PLATED NICKEL

CENTER CONTACT, BRASS  
PLATED GOLD/TIN

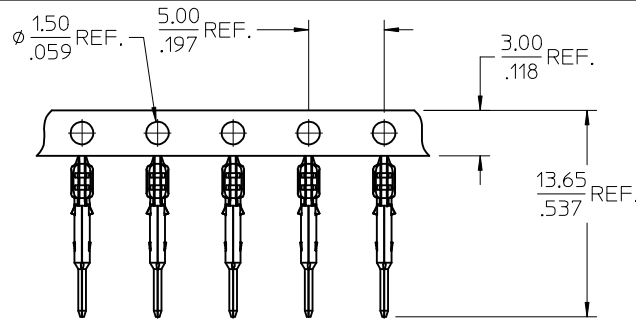
CRIMP TUBE BRASS  
PLATED NICKEL

SHROUD: PBT OR NYLON 66  
KEYING SEE TABLE  
COLOR SEE TABLE

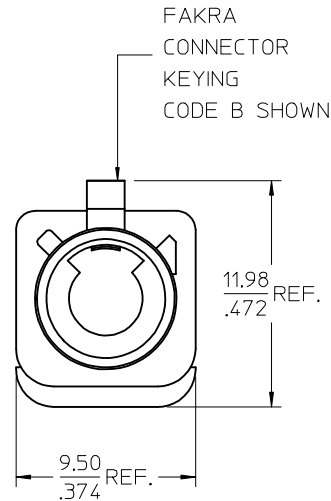
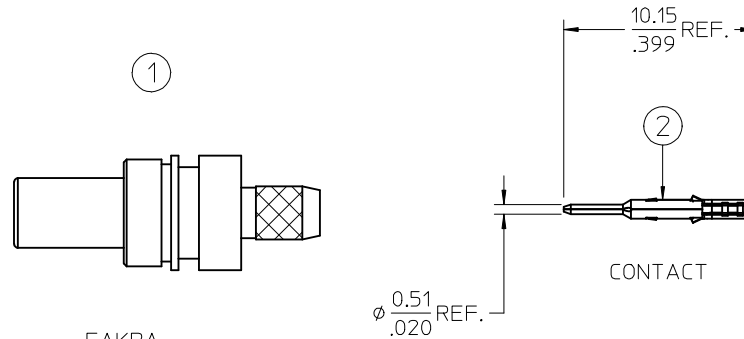
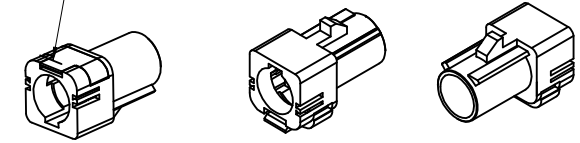
INSULATOR, POLYPROPYLENE

SECONDARY LOCK (TPA): PBT OR NYLON 66

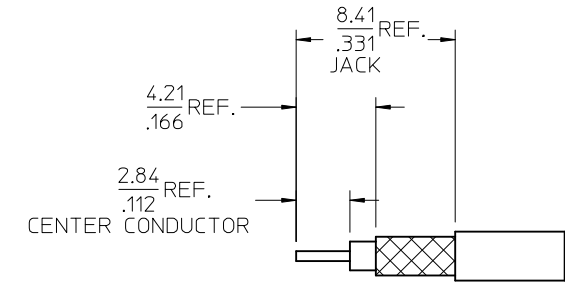
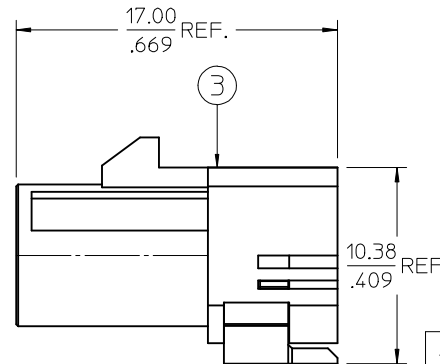
PACKAGING BY BAG



SECONDARY LOCK  
(TPA)



FAKRA  
CONNECTOR  
KEYING  
CODE B SHOWN



4	89674-0805	CRIMP TUBE	1
3	SEE SHEET 2	SHROUD WITH TPA	1
2	89534-0181	CENTER CONTACT	1
1	89618-4390	SMB JACK STR. FOR RG316	1
	PART NO.	DESCRIPTION	QTY

CHANGE ITEM 3  
89618-4370 WAS  
89618-3870  
RTM RF16-E059

EC NO: URF2016-0674  
DRAWN: LIN 2016/04/19  
CHKD:  
APPR: YCHENG 2016/07/14

QUALITY SYMBOLS  
▽=0  
▽=0

GENERAL TOLERANCES (UNLESS SPECIFIED)

	mm	INCH
4 PLACES	± .005	± .0002
3 PLACES	± .005	± .0002
2 PLACES	± .005	± .0002
1 PLACE	± .005	± .0002

ANGULAR ± 2 °

DRAFT WHERE APPLICABLE  
MUST REMAIN  
WITHIN DIMENSIONS

DIMENSION STYLE  
MM/IN

DRAWN BY EL IN DATE 2015/06/02

CHECKED BY JOANNE DATE 2015/06/02

APPROVED BY YCHENG DATE 2015/08/26

SEE SHEET 2

SCALE DESIGN UNITS METRIC

THIRD ANGLE PROJECTION

TITLE  
FAKRA II JACK STR. FOR  
RG316/174 CABLE  
FAKRA II -J

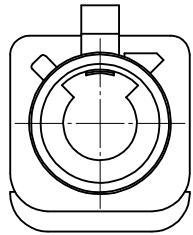
MOLEX INCORPORATED

MATERIAL NO. SD-73403-694

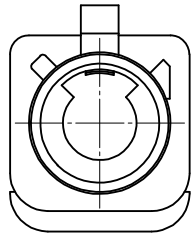
DOCUMENT NO.

SHEET NO. 1 OF 2

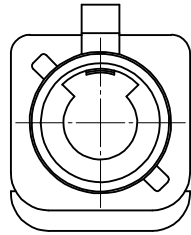
THIS DRAWING CONTAINS INFORMATION THAT IS PROPRIETARY TO MOLEX INCORPORATED AND SHOULD NOT BE USED WITHOUT WRITTEN PERMISSION



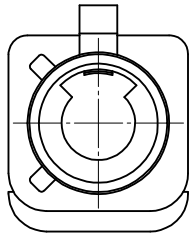
CODE-A



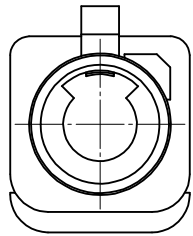
CODE-B



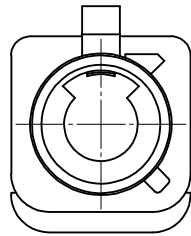
CODE-C



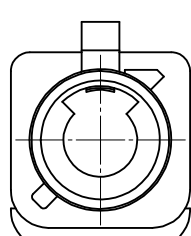
CODE-D



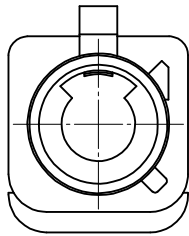
CODE-E



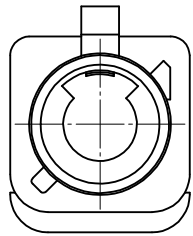
CODE-F



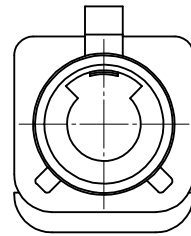
CODE-G



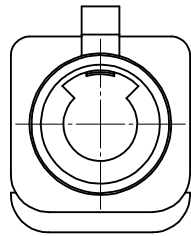
CODE-H



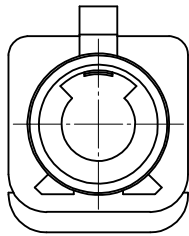
CODE-I



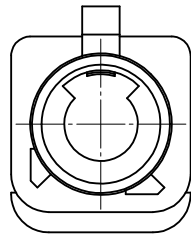
CODE-K



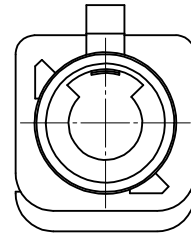
CODE-Z



CODE-L



CODE-M



CODE-N

N	PASTEL GREEN	73403-6953	89618-4383
M	PASTEL ORANGE	73403-6952	89618-4382
L	CARMINE RED	73403-6951	89618-4381
Z	WATER BLUE	73403-6950	89618-4380
K	CURRY YELLOW	73403-6949	89618-4379
I	BEIGE	73403-6948	89618-4378
H	VIOLET	73403-6947	89618-4377
G	GRAY	73403-6946	89618-4376
F	BROWN	73403-6945	89618-4375
E	GREEN	73403-6944	89618-4374
D	BORDEAUXVIOLET	73403-6943	89618-4373
C	BLUE	73403-6942	89618-4372
B	NATURAL	73403-6941	89618-4371
A	BLACK	73403-6940	89618-4370
KEYING CODE	COLOR	PART NO.	ITEM 3 PART NO.

SEE SHEET 1 EC NO: URF2016-0674 DRAWN: LIN 2016/04/19 CHKD: APPR: YCHENG 2016/07/14 REV:	QUALITY SYMBOLS ▽=0 ▽=0	GENERAL TOLERANCES (UNLESS SPECIFIED) <table border="1"> <tr> <td></td> <td>mm</td> <td>INCH</td> </tr> <tr> <td>4 PLACES</td> <td>± .005</td> <td>± .0002</td> </tr> <tr> <td>3 PLACES</td> <td>± .005</td> <td>± .0002</td> </tr> <tr> <td>2 PLACES</td> <td>± .005</td> <td>± .0002</td> </tr> <tr> <td>1 PLACE</td> <td>± .005</td> <td>± .0002</td> </tr> </table> ANGULAR ± 2°		mm	INCH	4 PLACES	± .005	± .0002	3 PLACES	± .005	± .0002	2 PLACES	± .005	± .0002	1 PLACE	± .005	± .0002	DIMENSION STYLE MM/IN DRAWN BY EL IN DATE 2015/06/02 CHECKED BY JOANNE DATE 2015/06/02 APPROVED BY YCHENG DATE 2015/08/26	SCALE DESIGN UNITS METRIC THIRD ANGLE PROJECTION	TITLE FAKRA II JACK STR. FOR RG316/174 CABLE FAKRA II -J
		mm	INCH																	
	4 PLACES	± .005	± .0002																	
	3 PLACES	± .005	± .0002																	
2 PLACES	± .005	± .0002																		
1 PLACE	± .005	± .0002																		
DRAFT WHERE APPLICABLE MUST REMAIN WITHIN DIMENSIONS		MATERIAL NO. SEE TABLE DOCUMENT NO. SD-73403-694	SHEET NO. 2 OF 2																	
THIS DRAWING CONTAINS INFORMATION THAT IS PROPRIETARY TO MOLEX INCORPORATED AND SHOULD NOT BE USED WITHOUT WRITTEN PERMISSION																				