

Medium PLCC Sockets



31

IMPORTANT NOTICE TO PURCHASER

ALL STATEMENTS, TECHNICAL INFORMATION AND RECOMMENDATIONS CONTAINED HEREIN ARE BASED ON TESTS WE BELIEVE TO BE RELIABLE, BUT THE ACCURACY OR COMPLETENESS THEREOF IS NOT GUARANTEED, AND THE FOLLOWING IS MADE IN LIEU OF ALL WARRANTIES, EXPRESSED OR IMPLIED:

SELLER'S AND MANUFACTURER'S ONLY OBLIGATION SHALL BE TO REPLACE SUCH QUANTITY OF THE PRODUCT PROVED TO BE DEFECTIVE. NEITHER SELLER NOR MANUFACTURER SHALL BE LIABLE FOR ANY INJURY, LOSS OR DAMAGE, DIRECT OR CONSEQUENTIAL, ARISING OUT OF THE USE OF OR THE INABILITY TO USE THE PRODUCT. BEFORE USING, USER SHALL DETERMINE THE SUITABILITY OF THE PRODUCT FOR HIS INTENDED USE, AND USER ASSUMES ALL RISK AND LIABILITY WHATSOEVER IN CONNECTION THEREWITH. NO STATEMENT OR RECOMMENDATION NOT CONTAINED HEREIN SHALL HAVE ANY FORCE OR EFFECT UNLESS IN AN AGREEMENT SIGNED BY OFFICERS OR SELLER AND MANUFACTURER.

Date Issued: February 23, 1998

TS-0431-03
Sheet 1 of 3

Physical

Insulation

Material: Glass Filled Polyphenylene-Sulfide PPS
Flammability: UL 94V-0
Color: Black

Marking: 3M Logo & Part Number Identifier

Contact

Material: Beryllium Copper
Plating: 30 μ " (0.76 μ m) Gold — MIL-G-45204, Type II, Grade C, over 50 μ " (1.3 μ m) Nickel QQ-N-290A, Class 2

Electrical

Current Rating: 1 Amp
Insulation Resistance: $>1 \times 10^{12} \Omega$ at 500 Vdc
Withstanding Voltage: 1000 Vrms at Sea Level

Environmental

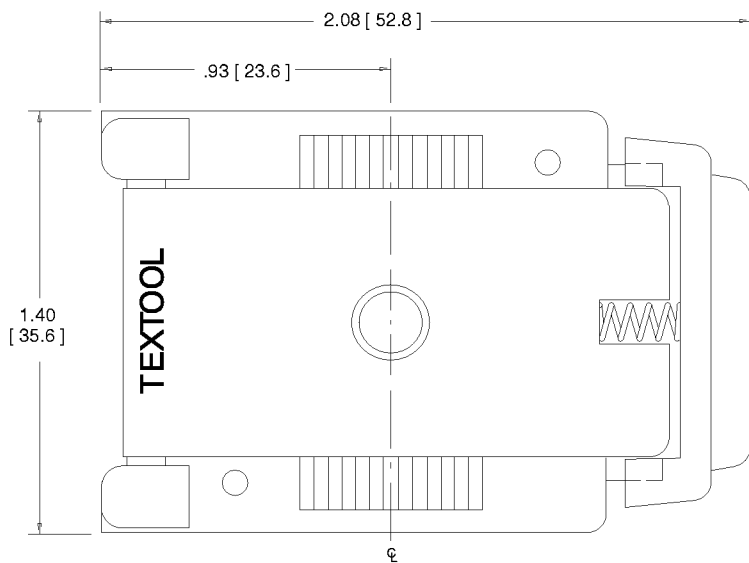
Operating Temperature Rating: -55°C to $+150^{\circ}\text{C}$

3M Electronic Products Division

6801 River Place Blvd.
Austin, TX 78726-9000

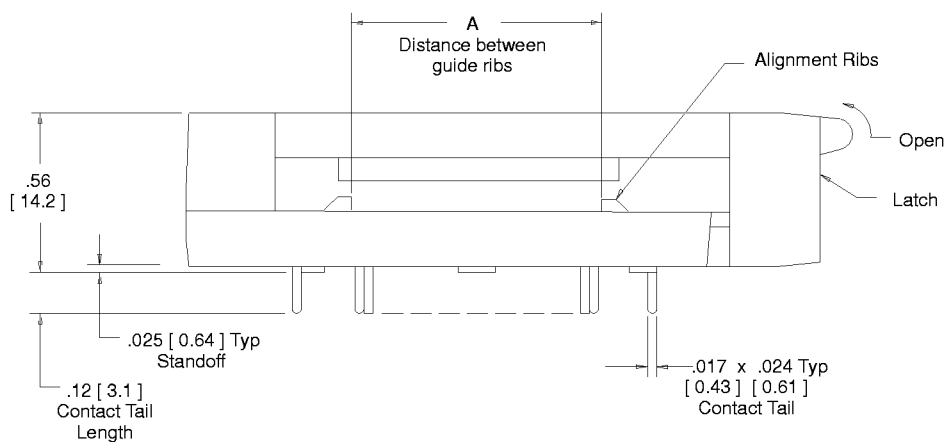
For technical, sales or ordering information
call
800-328-0411

Medium PLCC Sockets



Contact Quantity	Dim A sq. ± .002 [± .05 mm]
44	.660 [16.76]
52	.757 [19.22]

Latch End



	Tolerance $\frac{\text{inch}}{\text{(mm)}}$	
Dimension	$\frac{.00}{(.0)}$	$\frac{.000}{(.00)}$
Tolerance	$\pm .010$ (± .25)	$\pm .005$ (± .13)

Ordering Information

Part Number	Contact Quantity	Pitch	Package Size (LxW)	Package Thickness
2-0044-05292-000-011-002	44	.050 [1.27]	.650 x .650 [16.51] [16.51]	.190 [4.87]
2-0052-05904-000-011-002	52		.750 x .750 [19.05] [19.05]	.177 [4.50]

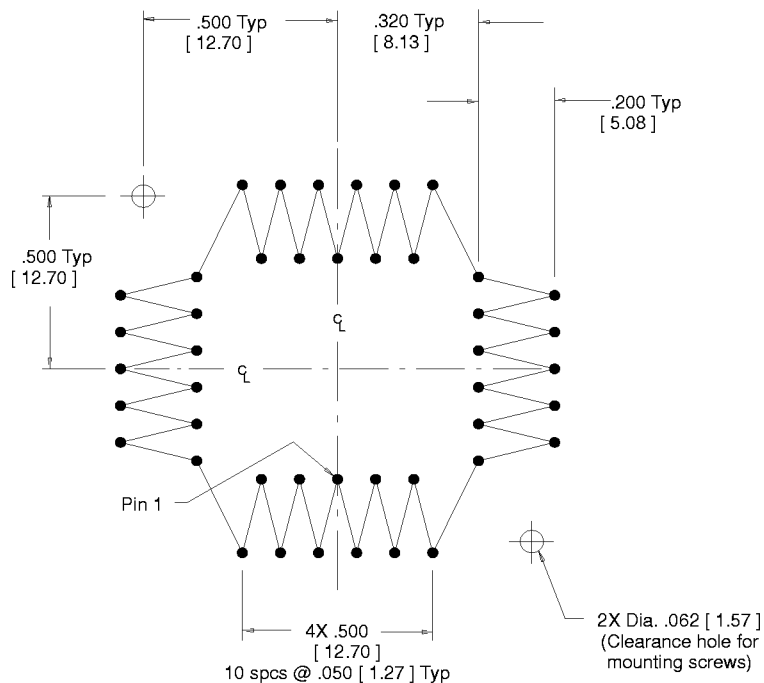
TS-0431-03
Sheet 2 of 3

3M Electronic Products Division

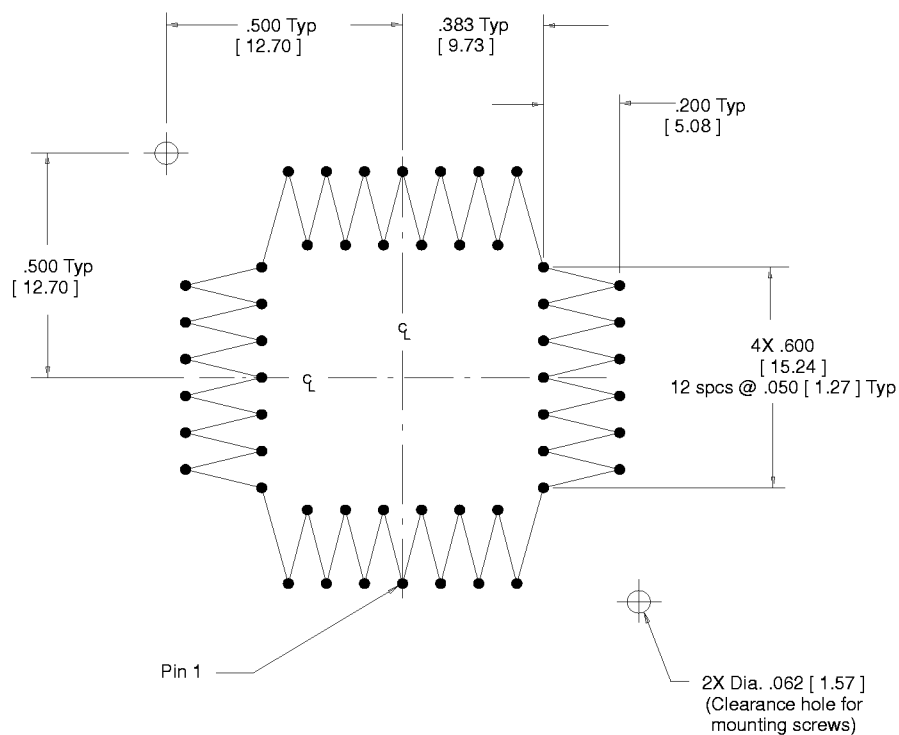
6801 River Place Blvd.
Austin, TX 78726-9000

For technical, sales or ordering information
call
800-328-0411

Medium PLCC Sockets



Latch End
Part Number 2-0044-05292-000-011-002



Latch End
Part Number 2-0052-05904-000-011-002

TS-0431-03
 Sheet 3 of 3

3M Electronic Products Division

6801 River Place Blvd.
 Austin, TX 78726-9000

For technical, sales or ordering information
 call
800-328-0411