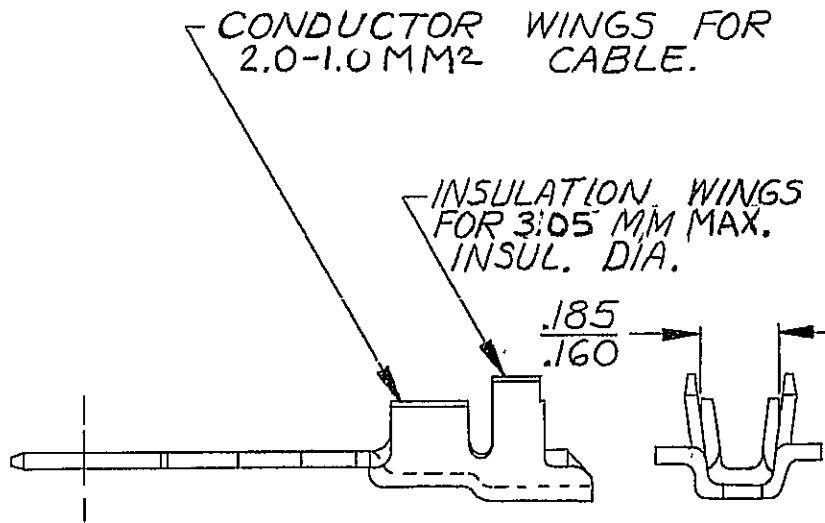
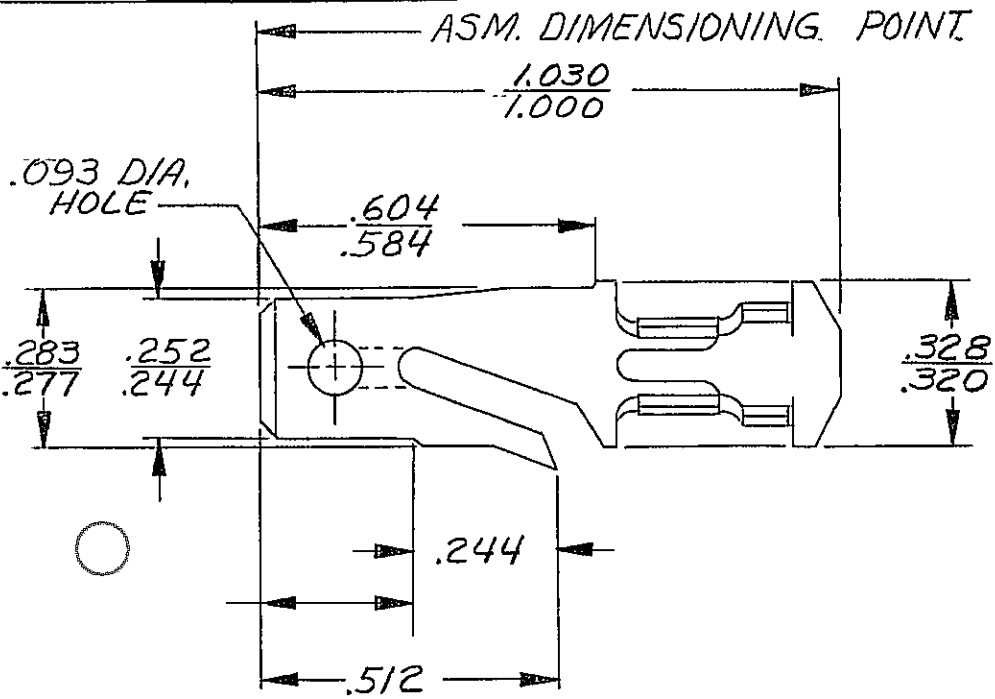


PACKARD ELECTRIC DIVISION
 GENERAL MOTORS CORPORATION
 WARREN, OHIO

DO NOT SCALE

THIS DRAWING AND DESIGN HEREON CONSTITUTE A PROPRIETARY DESIGN OF PACKARD ELECTRIC DIVISION AND IS NOT TO BE DUPLICATED OR REPRODUCED WITHOUT AUTHORITY OF PACKARD ELECTRIC DIVISION

D



C02D1493

PART NO.

296 2987

DATE	SYM.	REVISION RECORD	C/N NO.	DR.	CK.
12-23-59	-	REVISED & REDRAWN	21342		
6-15-60	-	VIEW & .062 DIM. ADDED	1808		
9-13-66	-	DIM. & DIMENSIONING			
		POINT REVISED & MATL.			
		SPEC. WAS .032 BRASS	25293		
5-9-68	-	WAS .165/.135	30961		
8-6-69	-	2962864 'D' SHT. #1 WAS			
		2962864 'D'	36500		
04SE79	-	CABLE REVISED TO			
		METRIC	70645	RAP	JM
01SE82	-	REVISED PICTURE	82155	T.W.	JM
01AU83	AZ	REV. SYM. ADVANCED	86126	MS	JM
180C05	AZ11	REMOVED DIM (1 PLC)	273766	JTZ	JAA

CODE NO. 6900

TOLERANCE UNLESS OTHERWISE SPECIFIED
 DECIMAL
 TWO PLACE ± .01
 THREE PLACE ± .005

QC

DWG. DATE 2-8-56 | SCALE NONE

DR. J.M. Henderson 4/14/77

EST NO.

CK. J. Muehly | DATE 4-14-77

REFERENCE NO. 2962864 - "D" SIZE - SHT #1

APPR R. Deanna | DATE 4-14-77

MATERIAL SPEC. .0320 THK. SAE CA 260 BRASS - 1/2 HARD

NAME TERMINAL - MALE - 56 SERIES

PART NO.

296 2987
 OUTLINE DRAWING

SIZE

A