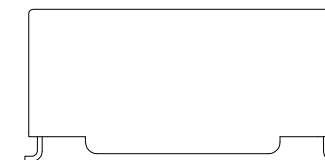
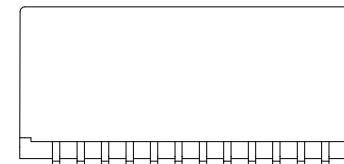
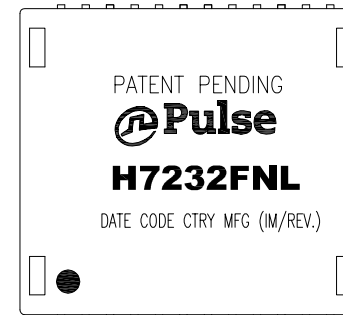


NOTES:

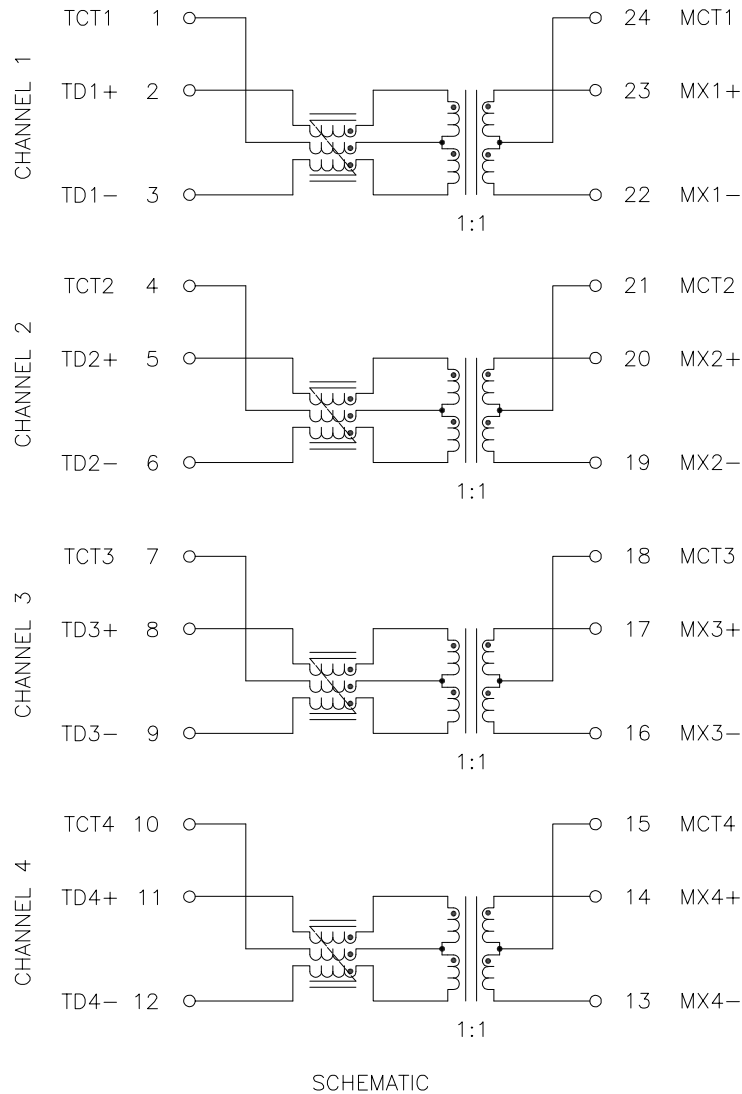
1. ROHS COMPLIANT
2. HEADER: DAP (DIALLYL PHTHALATE) WITH FLAMMABILITY RATING UL 94V-0 OR BETTER.
3. STORAGE TEMPERATURE: -20°C TO +125°C
4. COMPLIANCE TO J-STD:
  - A. J-STD-002: SOLDERABILITY AT 245°C REFLOW PROFILE
  - B. J-STD-020: LEVEL 1, NO MOISTURE SENSITIVE
  - C. J-STD-075: R7, 245°C MAXIMUM THROUGH REFLOW SOLDER
5. TO ORDER TAPE & REEL PACKAGING ADD A "T" SUFFIX TO THE PART NUMBER(i.e H7232FNL BECOMES H7232FNLT).



FINAL OUTLINE

© Copyright, 2016. Pulse Electronics Corp. All rights reserved. Pulse confidential & proprietary. (07/28/16)

PRODUCT DESCRIPTION	TLA DRAWING	PS DRAWING	SHEET	PART NO.	DATASHEET REV.
MDL,SIN,10GPP,1:1,GEN2,SM,TU	H7232FNL-10	PS-2790.001-C	1 OF 3	H7232FNL	D



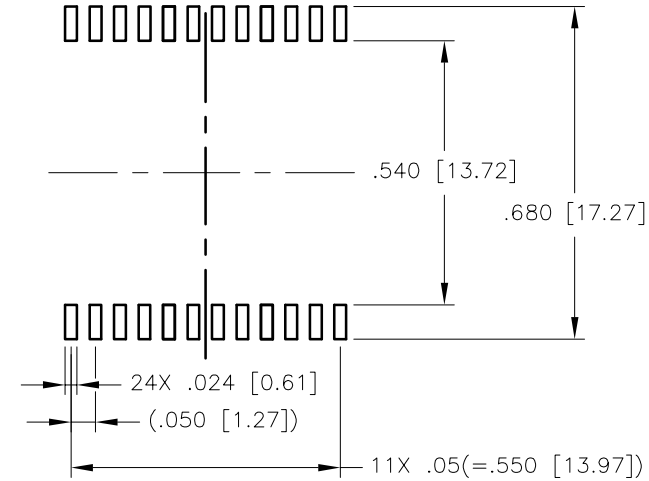
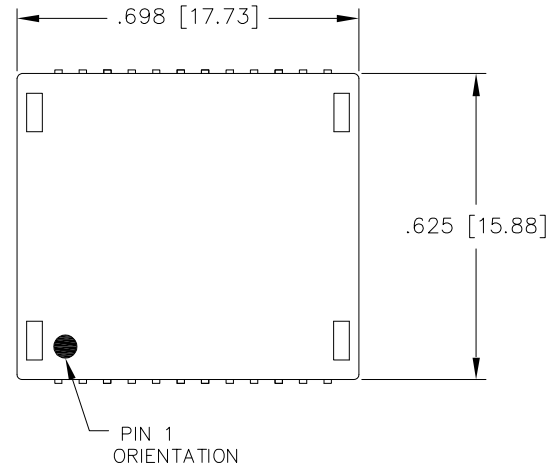
ELECTRICAL CHARACTERISTICS AT +25°C UNLESS OTHER SPECIFIED  
MEETS IEEE 802.3 SPECIFICATION

PARAMETER	SPECIFICATIONS					
OPERATING TEMPERATURE	0°C TO 70°C					
TURNS RATIO	1.00 ± 2%					
POLARITY	PER SCHEMATIC					
INSERTION LOSS (SDD21)	100 KHz	1-200 MHz	300 MHz	400 MHz	500 MHz	
	-3.0 dB MAX	-1.0 dB MAX	-1.2 dB MAX	-1.7 dB MAX	-2.5 dB MAX	
PHY-SIDE RETURN LOSS (SDD11 - Zref = 100 OHMS ± 1%)	1 MHz	10 MHz-100 MHz	200 MHz	300 MHz	400 MHz	500 MHz
	-20.0 dB MIN	-22.0 dB MIN	-17.0 dB MIN	-13.5 dB MIN	-11.0 dB MIN	-9.0 dB MIN
INDUCTANCE (OCL) (MEDIA SIDE, -0°C-+70°C)	120 uH MIN (MEASURED AT 100 KHz, 100 mVRMS AND WITH 22.5 mA DC BIAS)					
CROSSTALK, ADJACENT CHANNELS (SDD21 - ADJ.)	1-100 MHz			100-500 MHz		
	-40 dB MIN			-30 dB MIN		
COMMON MODE REJECTION RATIO (SCC21)	1 MHz-100 MHz		100-300 MHz		300-500 MHz	
	-37 dB MIN		-30 dB MIN		-25 dB MIN	
COMM. TO DIFF. REJECTION RATIO (SDC12)	1 MHz-100 MHz		100-300 MHz		300-500 MHz	
	-40 dB MIN		-30 dB MIN		-25 dB MIN	
DC RESISTANCE, 1/2 WINDING	.65 OHMS MAX					
DC CURRENT/VOLTAGE RATING	1500 mA MAX @ 57 V (CONTINUOUS)					
INPUT - OUTPUT ISOLATION	1500 VRMS MIN @ 60 SECONDS					

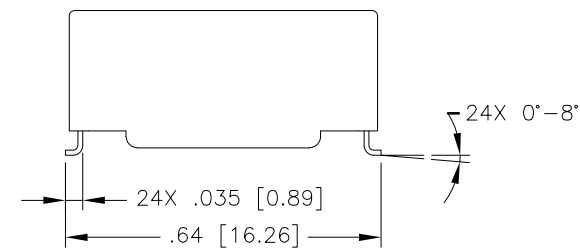
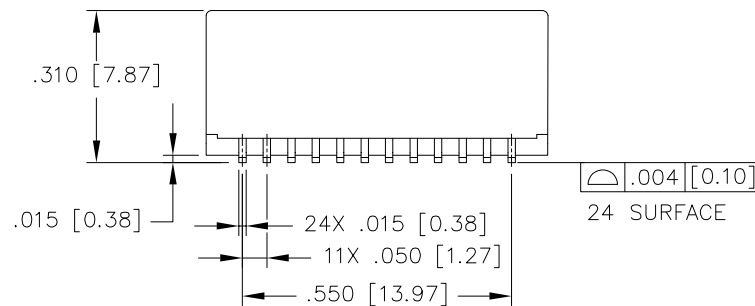
NOTE: f IS FREQUENCY IN MHZ.

© Copyright, 2016. Pulse Electronics Corp. All rights reserved. Pulse confidential & proprietary. (07/28/16)

PRODUCT DESCRIPTION	TLA DRAWING	PS DRAWING	SHEET	PART NO.	DATASHEET REV.
MDL,SIN,10GPP,1:1,GEN2,SM,TU	H7232FNL-10	PS-2790.001-C	2 OF 3	H7232FNL	D



SUGGESTED LAND PATTERN



DIMENSIONS ARE IN INCHES [MILLIMETERS] WITH THE FOLLOWING  
TOLERANCES: [MILLIMETERS] ARE FOR REFERENCE ONLY.  
.XX= ±.01 [±0.25]  
.XXX= ±.005 [±0.13]

© Copyright, 2016. Pulse Electronics Corp. All rights reserved. Pulse confidential & proprietary. (07/28/16)

PRODUCT DESCRIPTION	TLA DRAWING	PS DRAWING	SHEET	PART NO.	DATASHEET REV.
MDL,SIN,10GPP,1:1,GEN2,SM,TU	H7232FNL-10	PS-2790.001-C	3 OF 3	H7232FNL	D