

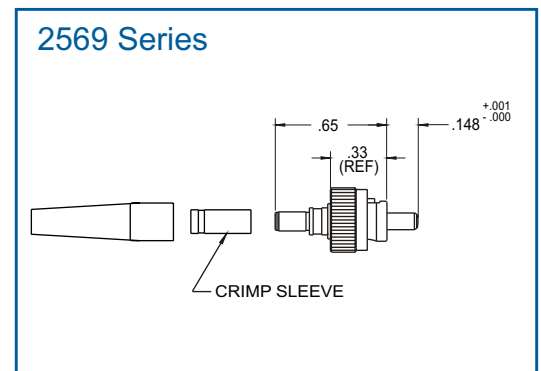
Features

- One piece construction
- Small, compact and light weight
- TIA/EIA 604 compliant
- Compatible with FC adapters and connectors
- Compatible with standard polishing equipment
- 900um and 2.0 to 3.0mm cable compatible
- Materials:
 - Body: Nickel-plated Brass
 - Sleeve: Nickel-plated Brass
 - Ferrule: Zirconia



Specifications

- Insertion Loss: 0.15dB typical for Single-mode
- Return Loss: <-45dB typical for PC polish
- Operating Temp: -40° to 85° C
- Durability: >500 cycles
- Cable retention: >25Lb, straight pull



Part Numbers

Description	Application	ID ¹	P/N	Boot ²
FC Un-Sprung Connector	SM	126	2569-1	Yellow, 3mm
FC Un-Sprung Connector	MM	127	2569-2	Black, 3mm
FC Un-Sprung Connector	MM	144	2569-3	Black, 3mm
FC Un-Sprung Connector	APC	126	2569-11	Green, 3mm
FC Un-Sprung Connector	MM	142	2569-14	Black, 3mm
FC Un-Sprung Connector	SM	125	2569-42	Black, 3mm

¹ Other ID's available, contact factory .

² Boots listed are shipped with the connector unless otherwise specified at time of order. Contact factory for other colors and sizes.

Related Products

FC Connectors	2553 series
FC Adapters	2523 series
High-Rel Aerospace FC Connectors	2547 and 2550 series
BELLCORE Style Boot Kit	2579 series

Data contained on this specification sheet is believed to be accurate as of the publication date. Johanson reserves the right to make changes deemed appropriate. Consult the factory for current engineering drawings and data.