



Flight II 60 - FS24B3 - 031157 - No
 (Family) (Model) (Part #) (In Stock)

Electrical Specifications

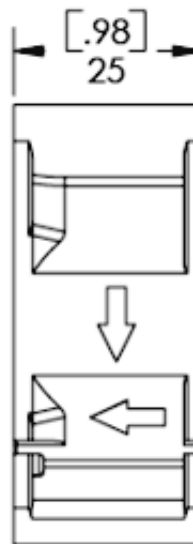
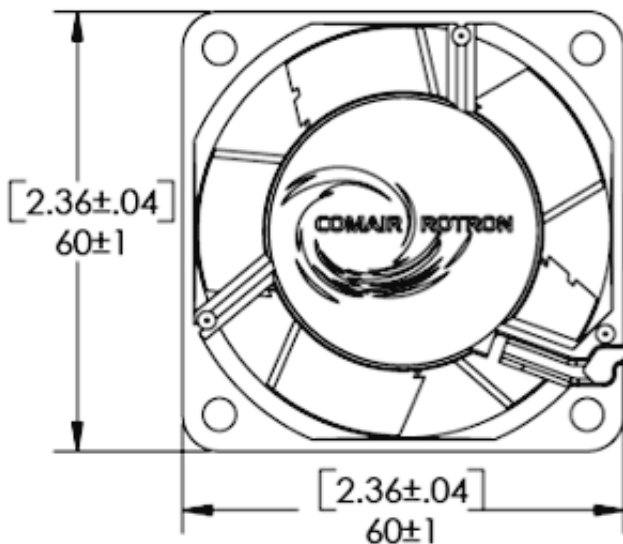
Operating Voltage:	24 Volts
Voltage Range:	12 - 28 Volts
Power Supply:	1.9 Watts
Line Current:	0.08 Amps
Locked Rotor Current	0.40 Amps
Nominal Speed:	4927 RPM

Mechanical Specifications

Dimensions:	2.4 x 2.4 x 1.0 in
Weight	3.88 oz
Max Airflow @ 0 in H ₂ O	18.0 CFM
Max Pressure @ 0 CFM	0.300 in H ₂ O
Noise	33.9 dBA



Mechanical Drawing



Comair Rotron, Inc.
 Phone: 619.651.2000
 sales@comairrotron.com

Comair Rotron Europe, Ltd.
 Phone: +44.1527.520525
 saleseurope@comairrotron.com

Comair Rotron Fan Company Ltd.
 Phone: +86.21.52260581
 salesasia@comairrotron.com

Print Date: Thursday, March 22, 2012 at 23:50:10 - DC Fan Datasheet - Web Version 1.0 Rev. B



Fan Performance Curve

Fan Configuration Options

Flight II 60
(Family)

FS24B3 / 031157
(Model) (Part #)

No
(In Stock)

305 mm [12 inch] Leads
(Features)

Fan Speed:

4927 RPM

Fan Bearings:

Ball Bearings

Fan Airflow Direction:

Flow R (CCW Rotation)

Fan Termination:

Leads

Fan Monitoring Options:

No Fan Monitoring Options Selected

Fan Speed Control Option:

No ThermaPro-V Fan Speed Control Options Selected

Environmental Protection Options:

No Enviroshield Options Selected

Comair Rotron, Inc.
Phone: 619.651.2000
sales@comairrotron.com

Comair Rotron Europe, Ltd.
Phone: +44.1527.520525
saleseurope@comairrotron.com

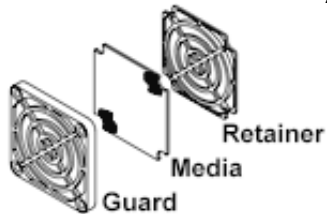
Comair Rotron Fan Company Ltd.
Phone: +86.21.52260581
salesasia@comairrotron.com

Print Date: Thursday, March 22, 2012 at 23:50:10 - DC Fan Datasheet - Web Version 1.0 Rev. B

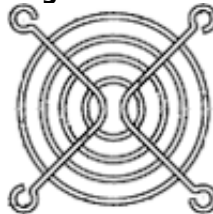


Accessories [\(Click on part number for detailed drawing.\)](#)

557239
Filter Guard Assembly



572621
Finger Guard



Comair Rotron, Inc.
Phone: 619.651.2000
sales@comairrotron.com

Comair Rotron Europe, Ltd.
Phone: +44.1527.520525
saleseurope@comairrotron.com

Comair Rotron Fan Company Ltd.
Phone: +86.21.52260581
salesasia@comairrotron.com

Print Date: Thursday, March 22, 2012 at 23:50:10 - DC Fan Datasheet - Web Version 1.0 Rev. B