

COAXIAL & WAVEGUIDE SWITCHES

SMA - N - TNC - BNC DPDT up to 18 GHz

STANDARD COAXIAL SWITCHES :

R554

CONNECTOR RF

- 0 : Other
- 1 : N (High power)
- 2 : TNC (High power)
- 3 : TNC (Low power)
- 4 : SMA (High power)
- 5 : BNC (Standard⁽²⁾)
- 7 : N (Standard)

TYPE

- 1 : Failsafe
- 2 : Failsafe with Indicator Contact
- 3 : Latching
- 4 : Latching with Indicator Contact
- 5 : Latching with Cut-Off
- 6 : Latching with Indicator Contact and Cut-Off
- x : Other ⁽¹⁾

FREQUENCY RANGE

- 0 : DC - 4 GHz
- 2 : DC - 18 GHz
- 3 : DC - 12.4 GHz

ACTUATOR CONNECTORS

- 0 : Solder pins
- 3 : D-Sub
- 4 : Multipin connector
- x : Other ⁽¹⁾

OPTIONS

- 0 : Without TTL Driver
- 1 : With TTL Driver

ACTUATOR VOLTAGE

- 2 : 12 Vdc
- 3 : 28 Vdc
- x : Other ⁽¹⁾

⁽¹⁾ x : Dash number denotes special customer requirements

⁽²⁾ Not recommended for use above 4 GHz

GENERAL SPECIFICATIONS :

RF PERFORMANCE

Frequency range (GHz)	DC - 4 / DC - 12.4 / DC - 18		
	DC - 4	4 - 12.4	12.4 - 18
V.S.W.R.	≤ 1.20	≤ 1.50	≤ 1.60
Insertion loss (dB)	≤ 0.20	≤ 0.40	≤ 0.50
Isolation (dB)	≥ 70	≥ 60	
Impedance (Ω)	50		
Switching sequence	Break Before Make		

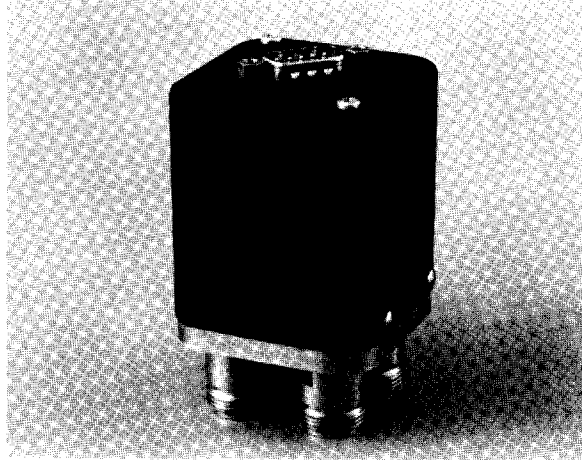
ADDITIONAL SPECIFICATIONS

Operating mode	Failsafe or Latching	
Actuator voltage (nominal) (Vdc)	12	28
Coil resistance (± 10%) (Ω)	20	100
Operating current at 23°C (mA)	600	280
Average power	See Power Rating Chart page 9	
Peak power (kW)	5 (1 μs, 1*/∞)	
Switching time (ms)	20	
Indicator rating	1 W - 30 V - 100 mA	
Life	10 ⁶ Operations	
Connectors	N - TNC - BNC - SMA	
Weight (g)	500	

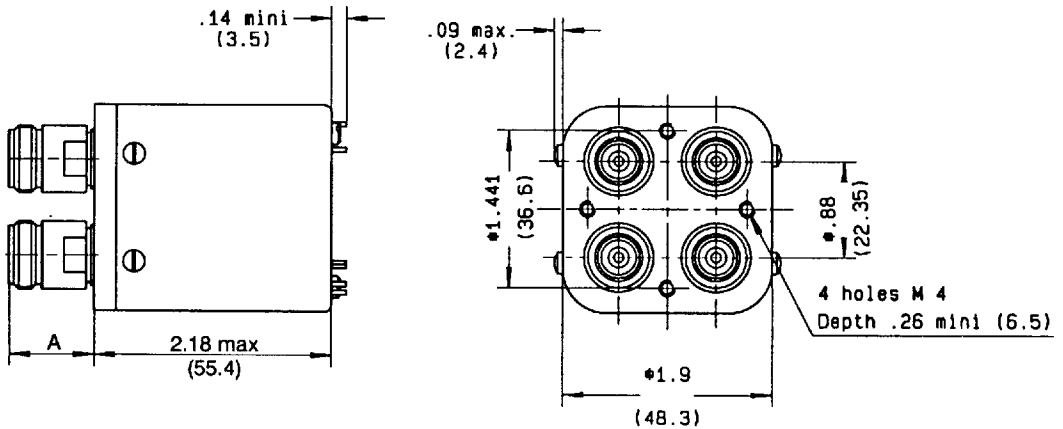
COAXIAL & WAVEGUIDE SWITCHES

SMA - N - TNC - BNC DPDT up to 18 GHz

STANDARD COAXIAL SWITCHES :



TYPICAL OUTLINE DRAWING



	A inch (mm)
TNC / BNC / SMA	.81" (20.6)
N	.76" (19.5)