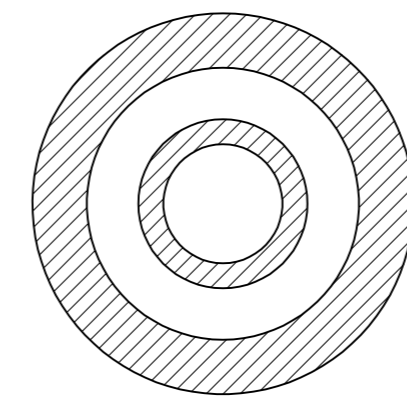
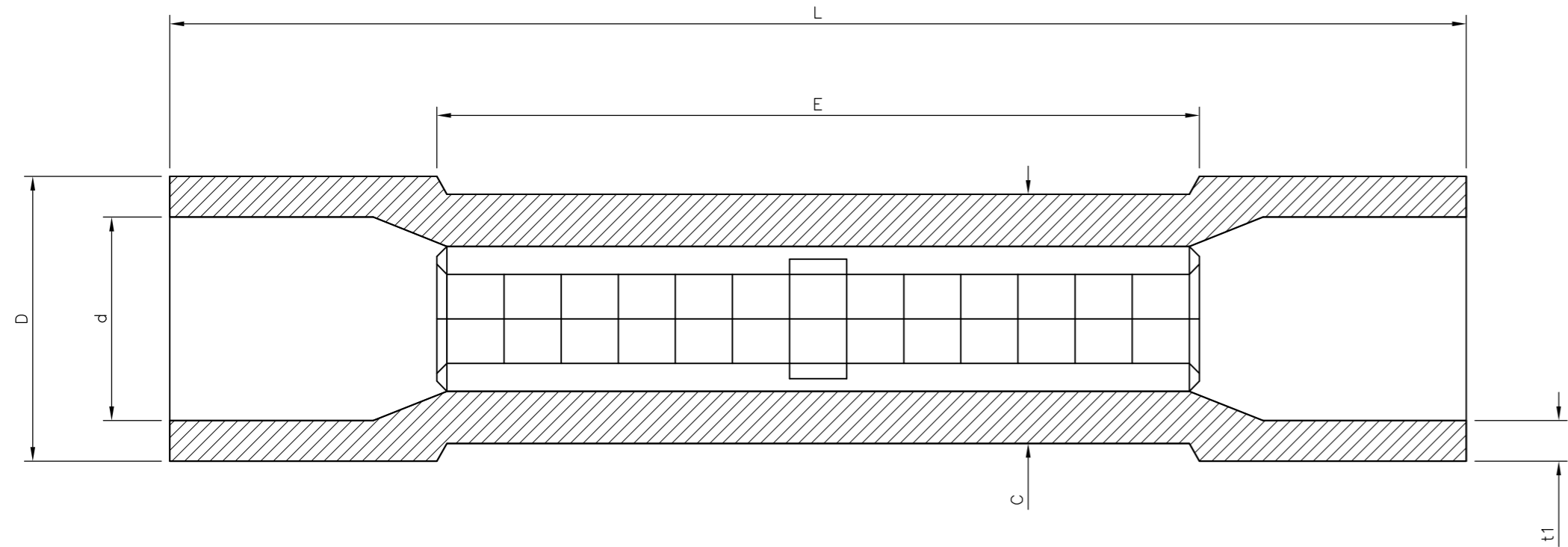


THIS DRAWING IS UNPUBLISHED. RELEASED FOR PUBLICATION 09AUG, 2005.
 © COPYRIGHT 2005 BY TYCO ELECTRONICS CORPORATION. ALL RIGHTS RESERVED.

LOC		DIST		REVISIONS			
P	LTR	DESCRIPTION		DATE	DWN	APVD	
	B	ECR-09-006447		30/03/09	AM	JS	



- NOTES:
- FOR TECHNICAL DATA REFER TO YOUR LOCAL TYCO ELECTRONICS SALES OFFICE.
 - ALL DIMENSIONS ARE NOMINAL FOR REFERENCE ONLY UNLESS OTHERWISE STATED.
 - FOR PACKAGING DETAILS SEE SHEET 2.
 - UL NUMBER E13288
 - MATERIAL: BODY - COPPER
SLEEVE - PVC (K65), 94V-0
 - APPLICATION SPEC 114-13196

2-1838200-0	1.5mmsq - 2.5mmsq	2.3x25mm STANDARD ENTRY	BLUE BUTT TERMINAL (INSULATED)	2000	1000	4.50	6.20	15.00	25.00	5.70	0.80	0.80	1.5mmsq - 2.5mmsq	BLUE BUTT TERMINAL (INSULATED)	2-1838200-0
1-1838200-0	16-14(AWG)			3500	100								16-14(AWG)		1-1838200-0
STOCK NUMBER	PACKING LABEL DESCRIPTION LINE 3	PACKING LABEL DESCRIPTION LINE 2	PACKING LABEL DESCRIPTION LINE 1	INNER CARTON QTY	QTY	d (±0.30)	D (±0.50)	E (±1.50)	L (±1.50)	C (±0.20)	t (±0.10)	t1 (±0.20)	WIRE SIZE (mmsq) & (AWG)	DESCRIPTION	PART No

THIS DRAWING IS A CONTROLLED DOCUMENT.

DWN	K.Raghunandan	09AUG05
CHK	S. Parlow	02/04/07
APVD	F. Wheeler-King	02/04/07
PRODUCT SPEC		
APPLICATION SPEC		
WEIGHT	-	
CUSTOMER DRAWING		

TOLERANCES UNLESS OTHERWISE SPECIFIED:

0 PLC	± 0.5
1 PLC	± 0.2
2 PLC	± 0.1
3 PLC	± 0.015
4 PLC	± -
ANGLES	± -
FINISH	-

NAME: Tyco Electronics Corporation, Bideford, UK, EX39 4HE

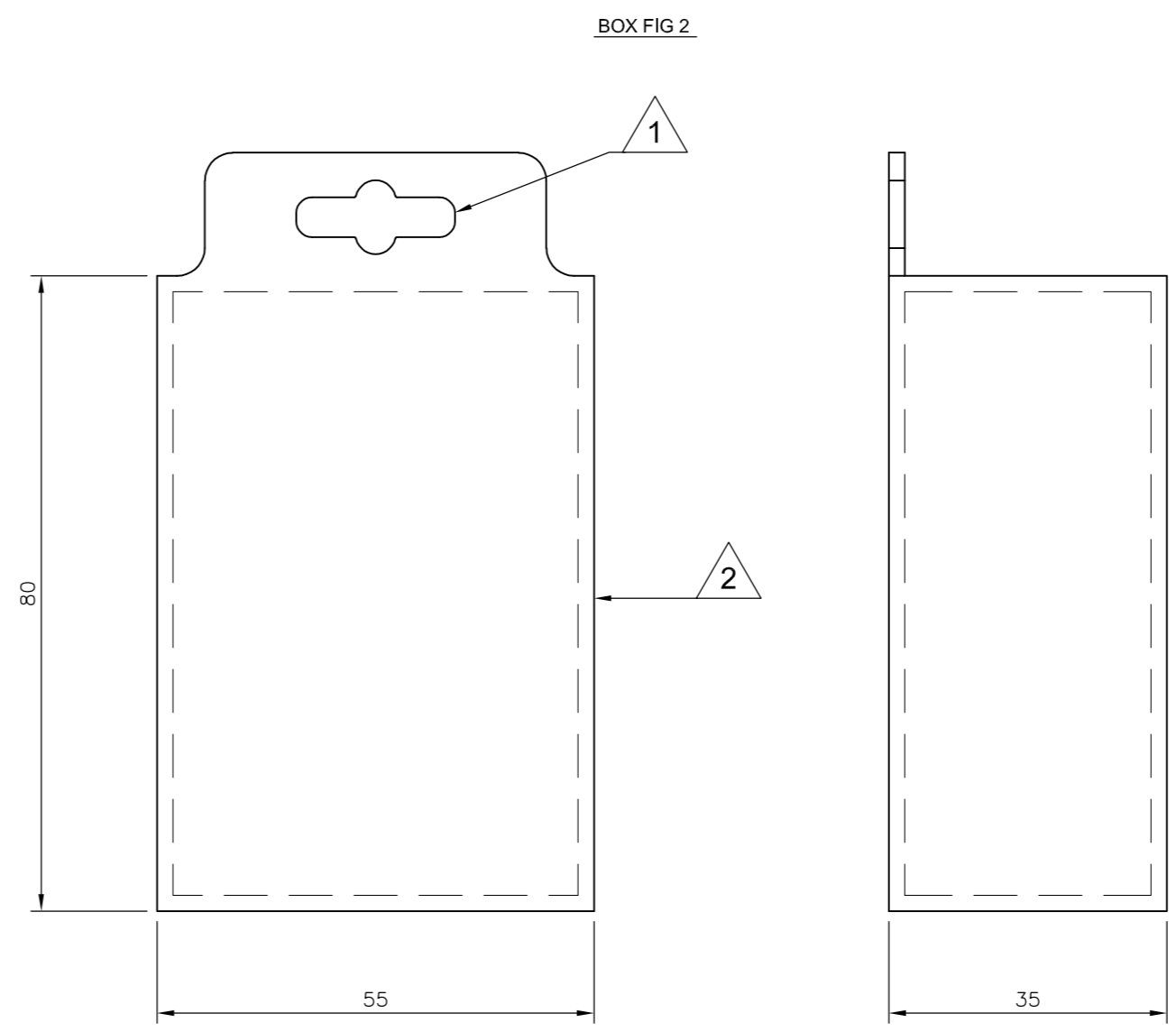
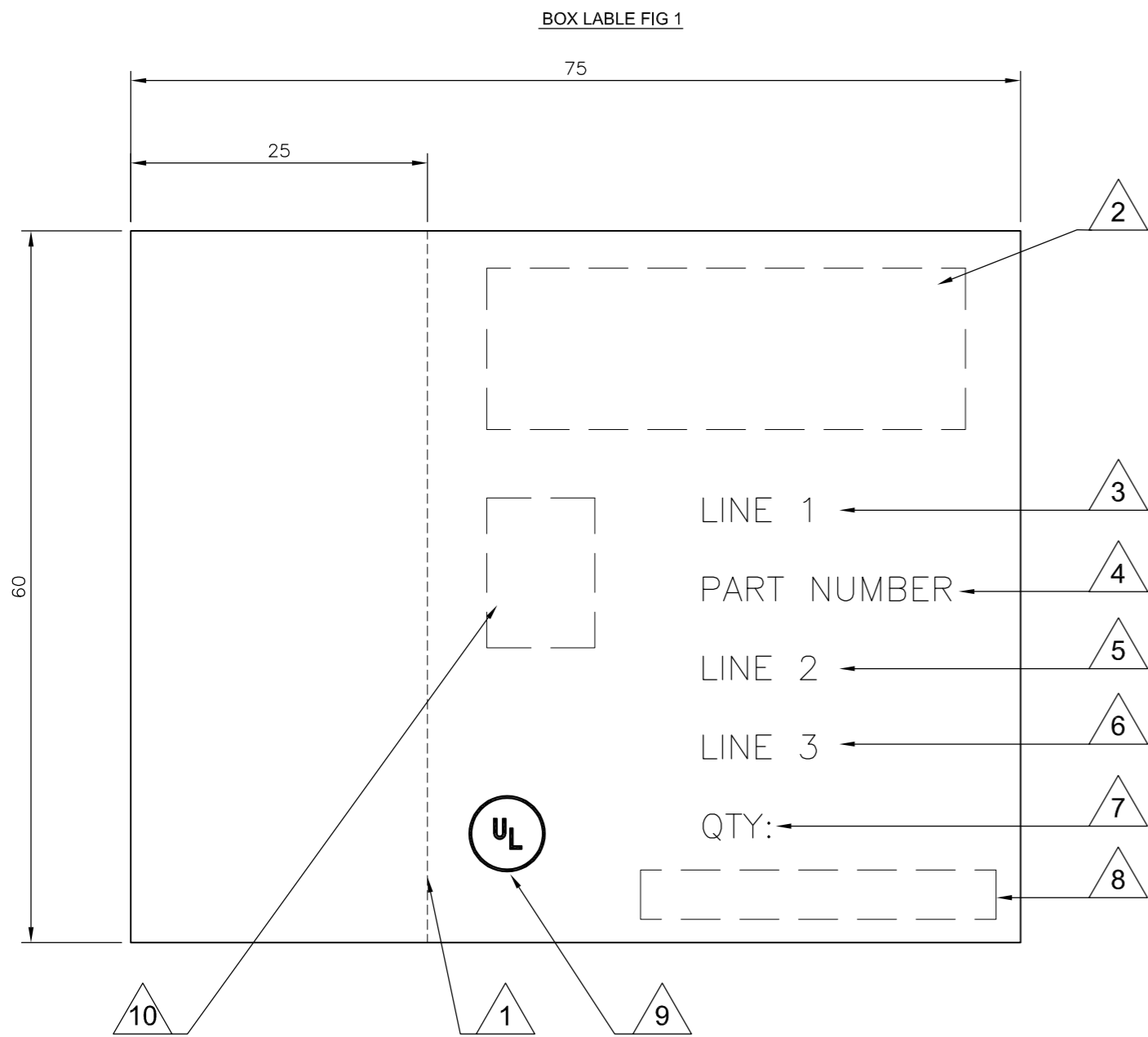
EURO-CRIMP INSULATED BLUE BUTT TERMINAL 1.5mmsq - 2.5mmsq / 16-14 AWG RANGE

SIZE: A2, CAGE CODE: 00779, DRAWING NO: C=1838200, RESTRICTED TO: -

SCALE: NTS, SHEET: 1 OF 2, REV: B

THIS DRAWING IS UNPUBLISHED. RELEASED FOR PUBLICATION 09AUG ,2005.
 © COPYRIGHT 2005 BY TYCO ELECTRONICS CORPORATION. ALL RIGHTS RESERVED.

LOC		DIST		REVISIONS			
P	LTR	DESCRIPTION	DATE	DWN	APVD		
-	-	SEE SHEET 1	-	-	-		



- LABEL NOTES:**
- 1. PERFORATED LINE: DOTTED LINE TO BE ALIGNED WITH OPENING EDGE & FOLDED TO LEFT SIDE OF BOX.
 - 2. LOGO: USE LATEST REVISION OF TYCO COMPANY LOGO.
 - 3. LINE1: SEE SHEET 1, USE TEXT FROM COLUMN PACKAGING LABEL DESCRIPTION LINE 1.
 - 4. PART NUMBER: FOR 1--0 & 2--0 USE TYCO PART NUMBER.
1--0 = 1-1838200-0
2--0 = 2-1838200-0
 - 5. LINE 2: SEE SHEET 1, USE TEXT FROM COLUMN PACKAGING LABEL DESCRIPTION LINE 2.
 - 6. LINE 3: SEE SHEET 1, USE TEXT FROM COLUMN PACKAGING LABEL DESCRIPTION LINE 3.
 - 7. QTY: SEE SHEET 1, USE NUMBER FROM THE COLUMN QTY.
 - 8. EAN BARCODE: USE LATEST TYCO BARCODE SUPPLIED.
1--0 = TYCO BARCODE
2--0 = TYCO BARCODE
 - 9. UL: WHERE APPLICABLE USE UL LOGO, SEE SHEET 1.
 - 10. PRODUCT PICTURE: A PRODUCT PICTURE IS REQUIRED.

- BOX NOTES:**
- 1. EURO SLOT: TO BE POSITIONED TO CENTRE ON FRONT COVER.
 - 2. BOX HINGE: FRONT COVER TO BE HINGED ON RIGHT SIDE.
 - 3. SPECIFICATION: COVER TO BE FREE FROM POSSIBLE WARPING & CAPABLE OF BEING RE-SEALED MIN 100 TIMES.
 - 4. LABEL: CORRECT CUSTOMER BOX LABEL TO BE POSITIONED ON THE FRONT COVER WITH THE PERFORATED EDGE ON THE LEFT HAND SIDE.

- PACK SPECIFICATION:**
- 1. CLEAR PLASTIC BOX: PART NUMBER 1--0 TO BE PACKED 100 PARTS PER CLEAR PLASTIC BOX (FIG2) WITH THE CORRECT CUSTOMER LABEL (FIG1), 35 CLEAR PLASTIC BOXES OF THE SAME PART NUMBER ARE TO BE PACKED INTO A SUITABLE INNER CARTON BOX.
 - 2. CLEAR PLASTIC BAG: PART NUMBER 2--0, USE A SUITABLE CLEAR PLASTIC BAG FOR A 1000 PARTS, POSITION AN APPROPRIATE LABEL AS IN FIG1 BUT WITHOUT THE PERFORATED SIDE, CENTRE OF BAG. 2 BAGS ARE THEN TO BE PACKED INTO A SUITABLE INNER CARTON BOX.
 - 3. INNER CARTON LABEL: LABEL AS PER CLEAR PLASTIC BAG NOTE 2 BUT WITH INNER CARTON QTY 2000 TO BE POSITIONED ON THE SIDE OF THE BOX FOR VIEWING WHEN STORED.

THIS DRAWING IS A CONTROLLED DOCUMENT.		DWN K.Raghuandan 09AUG05	Tyco Electronics Corporation Bideford, UK, EX39 4HE	
DIMENSIONS: mm		CHK S. Parlow 02/04/07	NAME EURO-CRIMP INSULATED BLUE BUTT TERMINAL 1.5mmsq - 2.5mmsq / 16-14 AWG RANGE	
TOLERANCES UNLESS OTHERWISE SPECIFIED: 0 PLC ± 0.5 1 PLC ± 0.2 2 PLC ± 0.1 3 PLC ± 0.015 4 PLC ± - ANGLES ± -		APVD F. Wheeler-King 02/04/07	SIZE A2	
MATERIAL -		PRODUCT SPEC -	CAGE CODE 00779	DRAWING NO C=1838200
FINISH -		APPLICATION SPEC -	RESTRICTED TO -	SCALE NTS
CUSTOMER DRAWING		WEIGHT -	SHEET 2	REV B

1838200