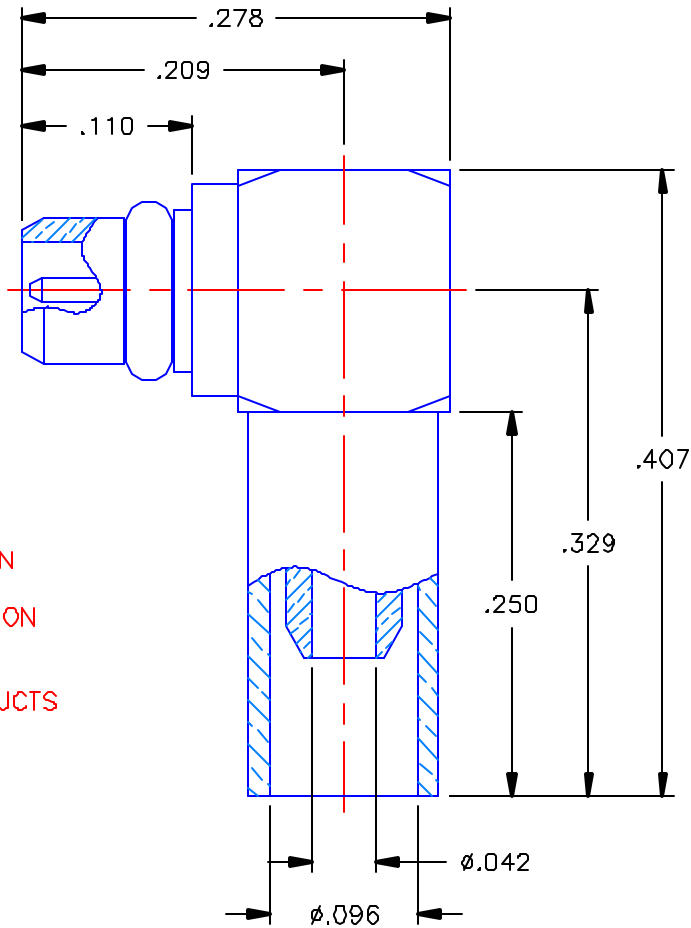


| REVISIONS | | | |
|-----------|-----------------|----------|----------|
| REV | DESCRIPTION | DATE | APPROVED |
| - | INITIAL RELEASE | 06/11/02 | A.D.M. |



PROPRIETARY INFORMATION
NOT TO BE RELEASED
WITHOUT WRITTEN PERMISSION
FROM AN AUTHORIZED
REPRESENTATIVE OF
APPLIED ENGINEERING PRODUCTS


NOTES:

MATERIALS:

1. BODIES & CAP = BRASS PER ASTM B16, ALLOY C36000, TEMPER H02.
2. INSULATOR = VIRGIN WHITE TEFLON PER ASTM D1710, GRADE 1, TYPE I, CLASS "B".
3. CONTACT & RING = BERYLLIUM COPPER PER ASTM B196, ALLOY C17300, TEMPER TD04.
4. CRIMP SLEEVE = SEAMLESS LOWLEAD BRASS TUBE, ALLOY 330, SOFT ANNEAL TEMPER, .025/.060 GRAIN SIZE. OR SEAMLESS COPPER TUBE PER ASTM B75, TYPE C12000, TEMPER: LIGHT ANNEAL 050 EXCEPT YIELD STRENGTH.

FINISHES:

1. CONTACT = GOLD PLATE PER MIL-G-45204, TYPE I, CLASS 1, GRADE C, OVER .00010 TO .00020 STRESS FREE SULFAMATE NICKEL PER QQ-N-290.
2. ALL OTHER METAL PARTS = GOLD PLATE PER MIL-G-45204, TYPE I, CLASS 0, GRADE C, OVER .00010 TO .00020 COPPER STRIKE PER MIL-C-14550.

| | | | | |
|-------------------------------------------------------------------------|-------|------------------------------------|--------------------------|--------------------------------------------------------------------------------------------------------------------------------------------------------------------------|
| UNLESS OTHERWISE SPECIFIED DIMENSIONS ARE IN INCHES TOLERANCES ON | | DWN. A D.M. | DATE 06/11/02 |  APPLIED ENGINEERING PRODUCTS 104 John W. Murphy Dr. New Haven, CT 06513 |
| | | CHKD: | DATE 06/11/02 | |
| DECIMAL | ANGLE | D.N. | DATE 06/11/02 | MMCX RIGHT ANGLE PLUG CRIMP TYPE FOR RG-178 CABLE |
| | | APVD: | DATE 06/11/02 | |
| REFERENCE: 357-7170-030 ORIGINATOR: A.D.M. DATE: 06/11/02 | | MATERIALS & FINISHES: SEE NOTES | | SIZE A SCALE 8:1 |
| | | FSCM NO. 19505 | DWG NO. 8905-1521-202 | REV - SHEET 1 OF 1 |

8905-1521-202