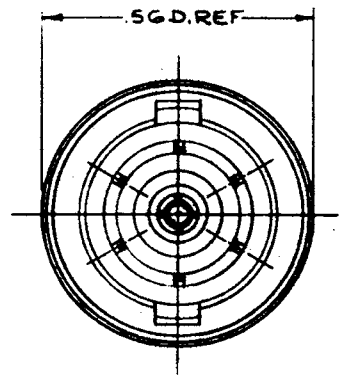
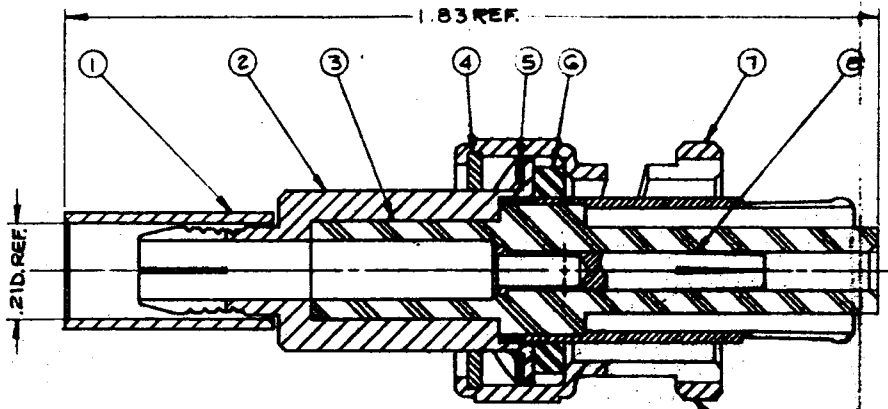


DASH NO. M CODE MADE FROM



STAMP:
KINGS 1705-16-M06

- NOTES:
1. FOR USE WITH LASL TYPE C 9Y19503 CABLE.
 2. FOR CABLING INSTRUCTIONS SEE CP-441.
 3. FOR CABLE TRIMMING USE KTL-72 & KTD-136.
 4. FOR CRIMPING USE DIE SIZE 01.

UNLESS OTHERWISE SPECIFIED:

- | | |
|--|--|
| 1. TOLERANCES: FRACTIONS & 2 PLACE DECIMALS ± .010 | 2. REMOVE ALL BURRS, BREAK SHARP EDGES .005 MAX. |
| 3 PLACE DECIMALS ± .004 | 3. NO FILLETS PERMITTED. |
| ANGLES ± 0° 30' | 4. SURFACE ROUGHNESS 63 MICROINCHES RMS MAX. |
| T. I. R. CONCENTRICITY OF ANY 2 DIAMETERS MAY NOT EXCEED HALF THE SUM OF THEIR TOLERANCES. | 5. ALL DIMENSIONS PRIOR TO PLATING. |

1705-16-M06 S-D

REVISIONS	
ISSUE	CHANGES
0	ER-15819 CWC 19 JUL 79
1	CN 19679 D GA 24 SEP 79

S-D

SCALE: 4:1

WAS E-8634

USED ON:

REP: SLAC P.O. NO. US915980M

FINISH

SPEC. KER-10004

MATL.

SPEC.

SHV PLUG

DRAWN CWC	DATE 19 JUL 79
APPR. GINO	DATE 20 JUL 79

KINGS ELECTRONICS
40 MARSDALE ROAD
TUCKAHOE, N. Y. 10787

1705-16-M06

S-D