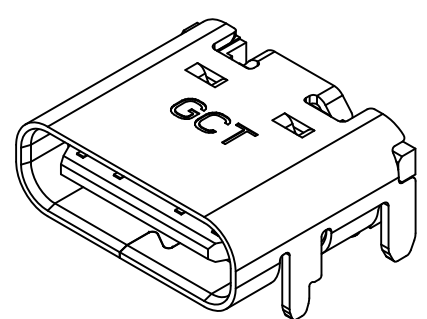
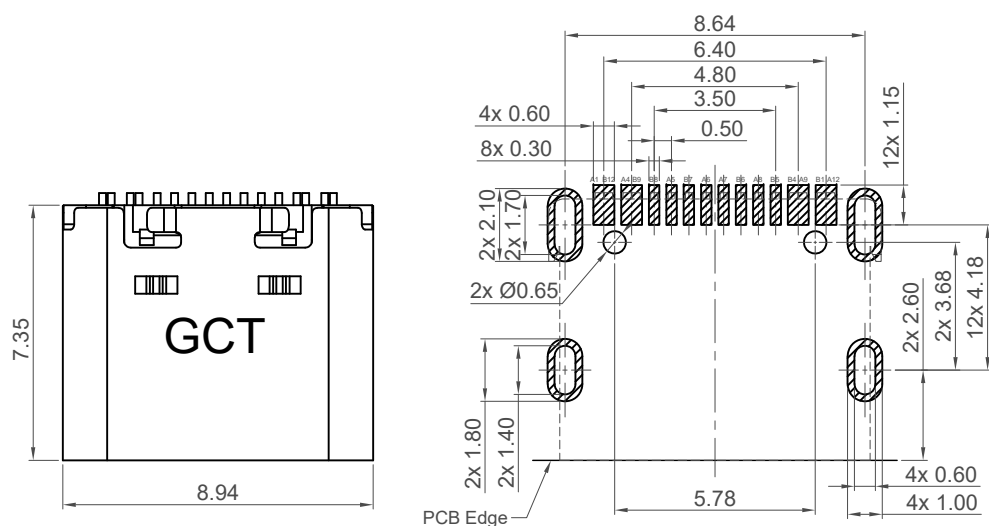


H
G
F
E
D
C
B
A



Recommended PCB Layout
As viewed from component side Tolerance: ±0.05mm

Pin	Signal	Mating Sequence	Pin	Signal	Mating Sequence
A1	GND	First	B12	GND	First
A4	Vbus	First	B9	Vbus	First
A5	CC1	Second	B8	SBU2	Second
A6	Dp1	Second	B7	Dn2	Second
A7	Dn1	Second	B6	Dp2	Second
A8	SBU1	Second	B5	CC2	Second
A9	Vbus	First	B4	Vbus	First
A12	GND	First	B1	GND	First
SHELL		GND	SHELL		GND

Specifications

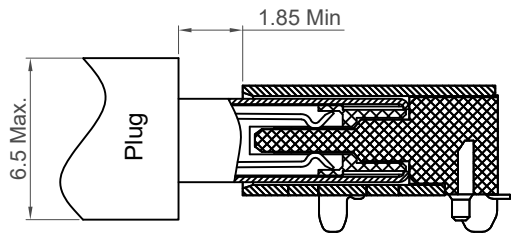
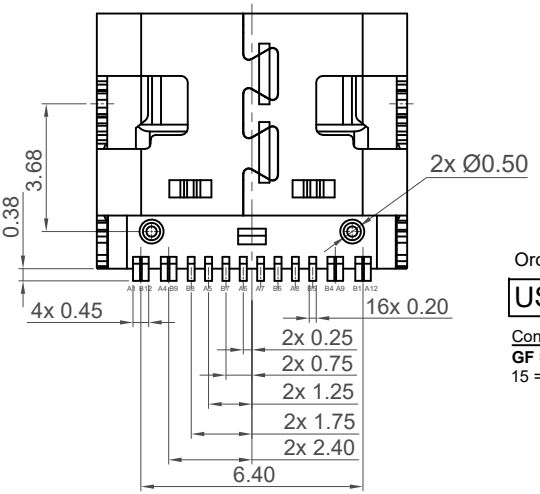
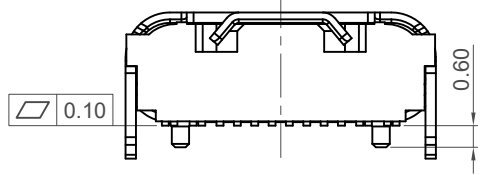
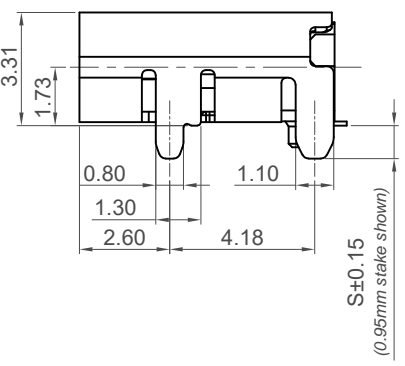
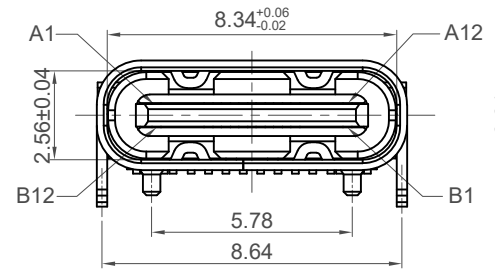
Material
 Insulator: LCP, UL 94V-0, Black
 Contact: Copper Alloy
 Shell: Stainless steel
 Mid Plate: Stainless Steel

Plating
 Contact:
 Contact Area: See Ordering Grid
 Solder Tails: Gold Flash
 Underplating: 50µ" min. Nickel All Over
 Shell: 30µ" min. Nickel
 Mid Plate: Clear

Electrical
 Current Rating: 5.00A collectively for Vbus pins
 6.25A collectively for GND pins
 1.25A for A5/B5 pin
 0.25A per pin for all other pins

Voltage Rating: 48V DC
 Power Rating: 240W
 Contact Resistance: 40mΩ max. initial.
 50mΩ max. after test
 Dielectric Withstanding Voltage: 100V AC
 Insulation Resistance 100MΩ min.

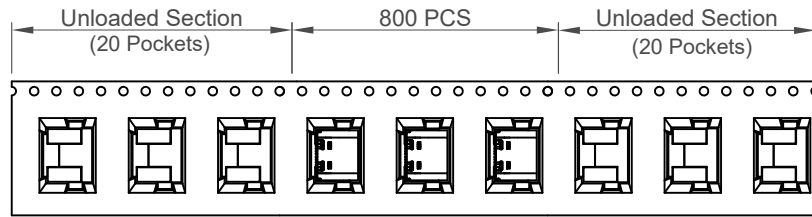
Mechanical & Environmental
 Operating Temperature: -40°C to +85°C
 Mating Force: 5 to 20 N.
 Unmated Force: 6 to 20 N after test
 Durability: 20,000 cycles



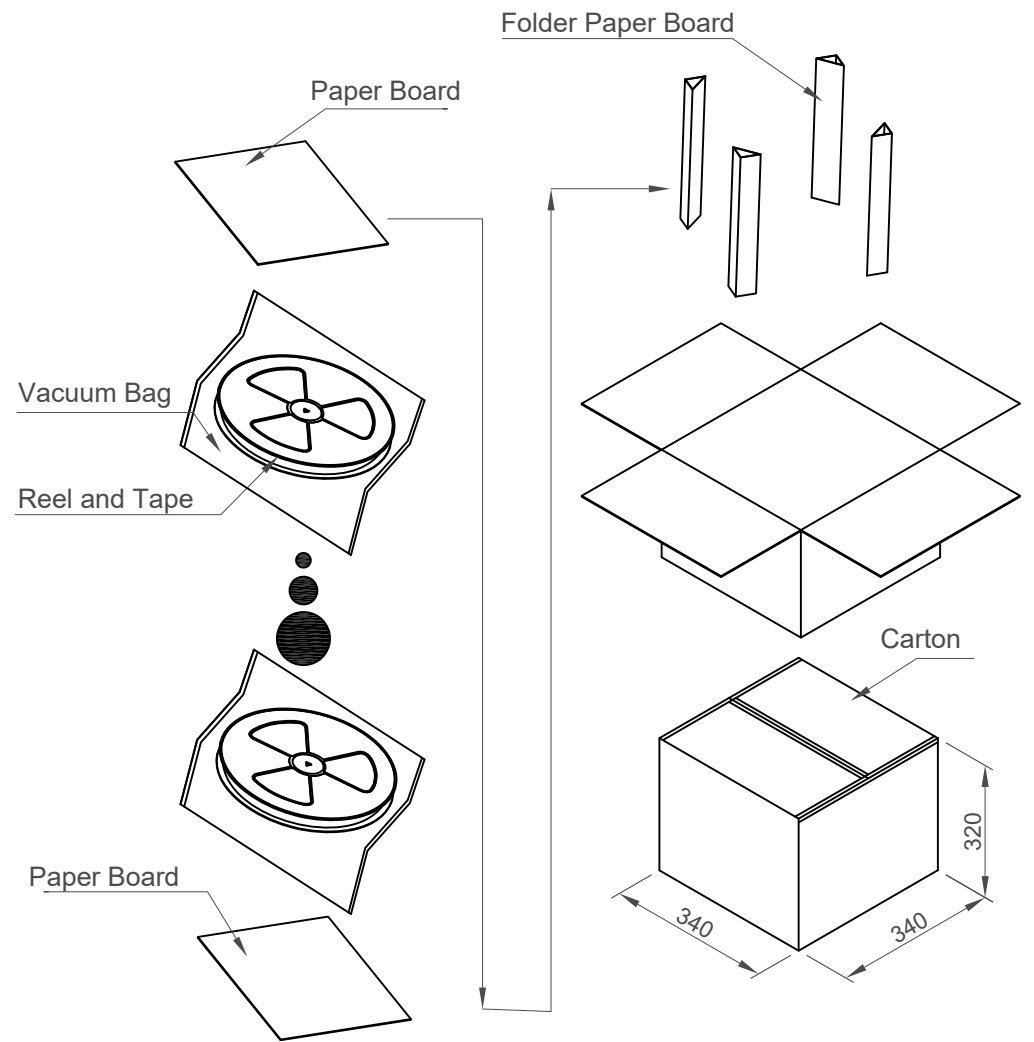
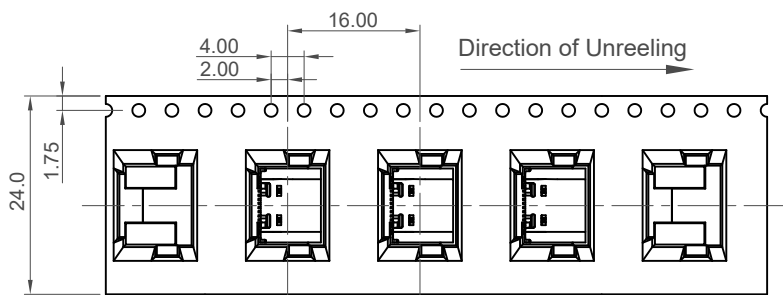
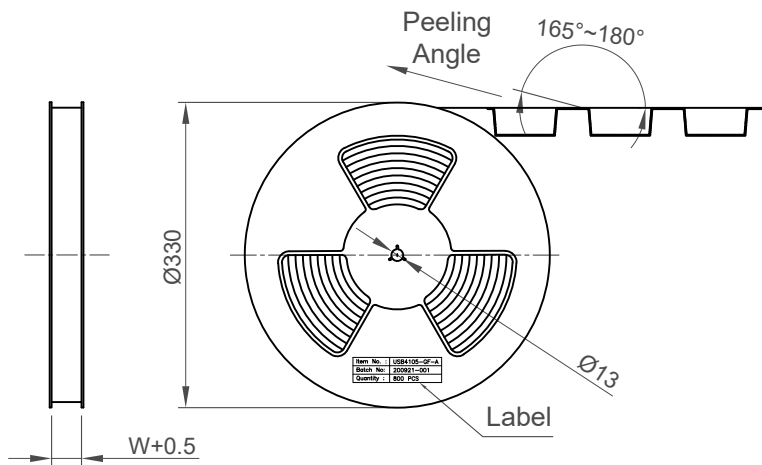
Plug and Receptacle Mating View

Ordering Grid
 USB4105 - XX - A - XXX [Request Samples and Quotation](#)
 Contact Plating
 GF = Gold Flash (standard)
 15 = 15µ" Gold
 Packing Options
 A = Tape & Reel
 Shell Stake Length "S"
 Blank = 0.95mm
 060 = 0.60mm
 120 = 1.20mm

Part Number		Product Description			
USB4105		USB Type C Receptacle for USB 2.0			
Drawing Date		SMT Type, PCB Top Mount			
4th October 2019					
By	CC	Tolerances (Except as Noted)		Units:	 <small>This drawing is confidential and copyright of Global Connector Technology, Ltd (GCT). This drawing must not be copied or disclosed without written consent. E & OE</small>
Detail	USB4105 B PCN	Length	Angle	Metric (mm)	
Revision	B3	X. ± 0.38	X ±2°		
Date	24/02/23	XX ± 0.30	X.XX ± 1°		
		XXX ± 0.15	X.XXX ± 0.10		
Not to Scale	Drawn By CC	Sheet No. 1/2		 www.gct.co	



Direction of Unreeling



Pcs / Reel	Reels / Carton	Total Quantity
800	10	8000 pcs

Part Number USB4105		Product Description USB Type C Receptacle for USB 2.0 SMT Type, PCB Top Mount	
Drawing Date 4th October 2019			
By CC	Tolerances (Except as Noted) Length	Units: Metric (mm)	
Detail USB4105 B PCN	Angle		
Revision B3			
Date 24/02/23			
		This drawing is confidential and copyright of Global Connector Technology, Ltd (GCT). This drawing must not be copied or disclosed without written consent. E & OE	



Not to Scale	Drawn By CC	Sheet No. 2/2
--------------	----------------	------------------

Mouser Electronics

Authorized Distributor

Click to View Pricing, Inventory, Delivery & Lifecycle Information:

[Global Connector Technology \(GCT\):](#)

[USB4105-15-A](#) [USB4105-15-A-060](#) [USB4105-15-A-120](#)