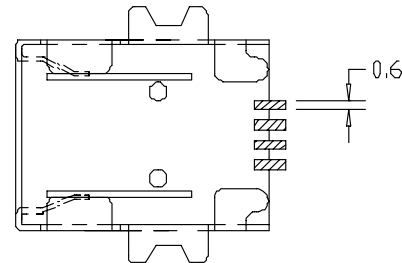
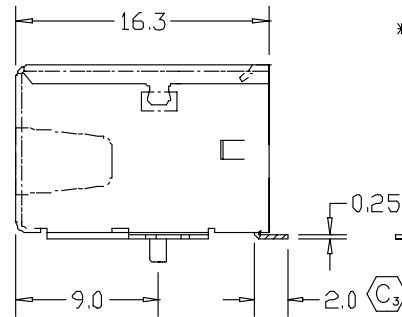
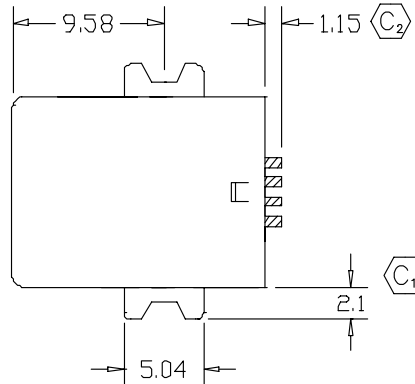
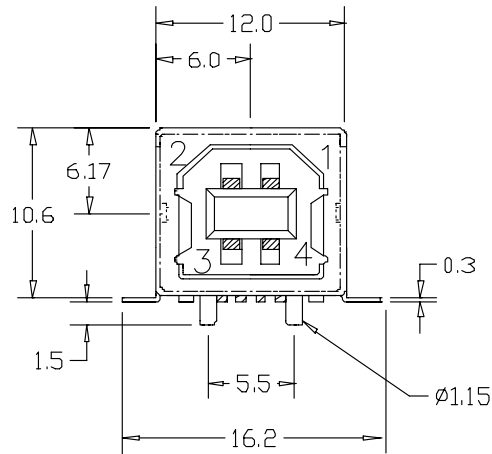


REVISION G

DO NOT SCALE FROM THIS PRINT



USB-B-S-X-X-SM-XX-X

TYPE
-B

CONFIGURATION
-S: SINGLE

PLATING
-F: GOLD FLASH ON MATING AREA, TIN-LEADS ON TAILS (60%Sn, 40%Pb) NICKEL UNDERPLATE
-S: .000030" GOLD ON MATING AREA, TIN-LEADS ON TAILS (60%Sn, 40%Pb) NICKEL UNDERPLATE

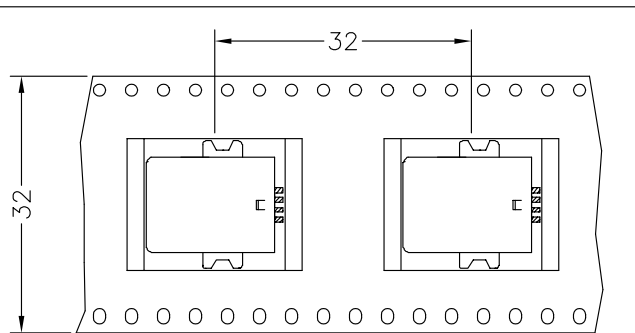
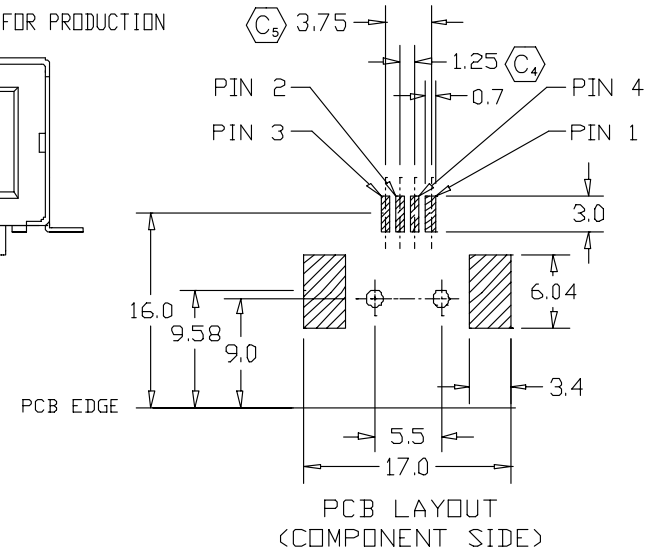
E & I OPTIONS
*-R: ROHS COMPLIANT-LEAD FREE WITH HIGH TEMP INSULATOR

OPTIONS
-TR: TAPE AND REEL (LEAVE BLANK FOR TRAY PACKAGING)

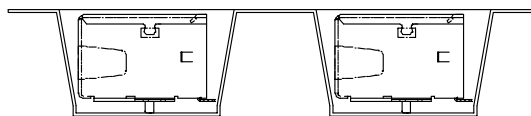
RA TERMINATION
-SM: SURFACE MOUNT

COLOR
-B: BLACK
-W: WHITE

*-NOT RELEASED FOR PRODUCTION



USER DIRECTION OF UNREELING →
POCKET NOT DETAILED



PACKAGING VIEW

NOTES:

1. (C) REPRESENTS CRITICAL DIMENSION.
2. CRITICAL DIMENSIONS IN THE PCB LAYOUT APPLY TO THE ASSEMBLY

UNLESS OTHERWISE SPECIFIED, DIMENSIONS ARE IN MM. TOLERANCES ARE:

DECIMALS .X: ±.15
.XX: ±.08
.XXX: ±.03

ANGLES 2°

PROPRIETARY NOTE
THIS DOCUMENT CONTAINS INFORMATION CONFIDENTIAL AND PROPRIETARY TO SAMTEC INC. AND SHALL NOT BE REPRODUCED OR TRANSFERRED TO OTHER DOCUMENTS OR DISCLOSED TO OTHERS OR USED FOR ANY PURPOSE OTHER THAN THAT FOR WHICH IT WAS OBTAINED WITHOUT THE EXPRESSED WRITTEN CONSENT OF SAMTEC INC.

DO NOT SCALE DRAWING
INSULATOR: PA9T(RATED UL94V-0)
CONTACT: PHOS BRONZE

SHELL: STEEL, NICKEL PLATED
MAX FLASH ALLOWED: .051
MAX GATE VESTIGE: .051

F:\DWG\misc\mktg

SHEET SCALE: 1:2

DESCRIPTION:
USB B SURFACE MOUNT

DWG. NO.
USB-B-S-X-X-SM-XX-X

BY: J. Riley 02/06/04 SHEET 1 OF 1

samtec

520 PARK EAST BLVD. NEW ALBANY, IN 47150
(812) 944-6733 P.O. BOX 1147 TWX: 810-540-4085

CODE: 551322