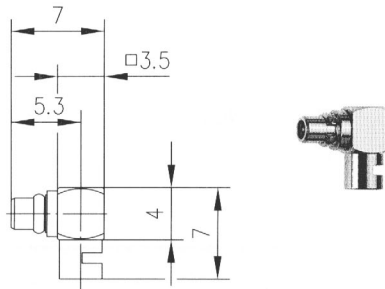


2 MMCX-Kabelwinkelstecker

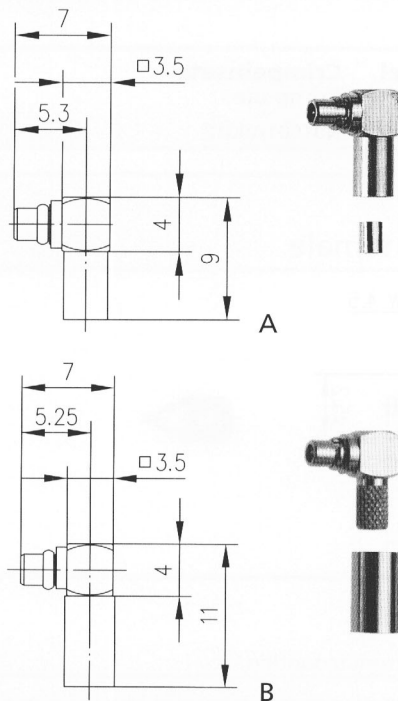
MMCX Angle Plug



Bestell-Nr. Order Nr.	Kabelgruppe; Kabel Cable group; cable	Montage Assembly	Anmerkungen Remarks
J01340A0021	G11 (UT-85)	C21	löt/löt solder/solder
J01340A0061	G34 (UT-47)	C21	löt/löt solder/solder
J01340A0131	G3 (RG-178B/U)	C23	löt/löt solder/solder
J01340A0161	G43 (0.24/0.68); FCCA3 Nissei	C23	löt/löt solder/solder

3 MMCX-Kabelwinkelstecker Crimp

MMCX Angle Plug Crimp



Bestell-Nr. Order Nr.	Abb. Fig.	Kabelgruppe; Kabel Cable group; cable	Montage Assembly	Anmerkungen Remarks	Crimpeinsatz Crimp die
J01340A0011	A	G3 (RG-178B/U)	C2922	löt/crimp solder/crimp	N01001A0018
J01340A0051	B	G7 (RG-316/U)	C3116	löt/crimp solder/crimp	N01001A0009
J01340A0121	B	G3 (RG-178B/U)	C3117	löt/crimp solder/crimp	N01001A0010
J01340A0071	B	K01252D	C3117	löt/crimp solder/crimp	N01001A0010
J01340A0111	B	G8 (RD-316)	C3114	löt/crimp solder/crimp	N01001A0014