

Antenna For Receiving Electric Waves From GPS Satellite GPA-CG230

Telecommunication component

OUTLINE

This 14.8mm thick LNA-incorporated antenna having an all-azimuth characteristic can receive electric waves from GPS satellite, efficiently with high sensitivity, and it is mountable inside or outside a car.



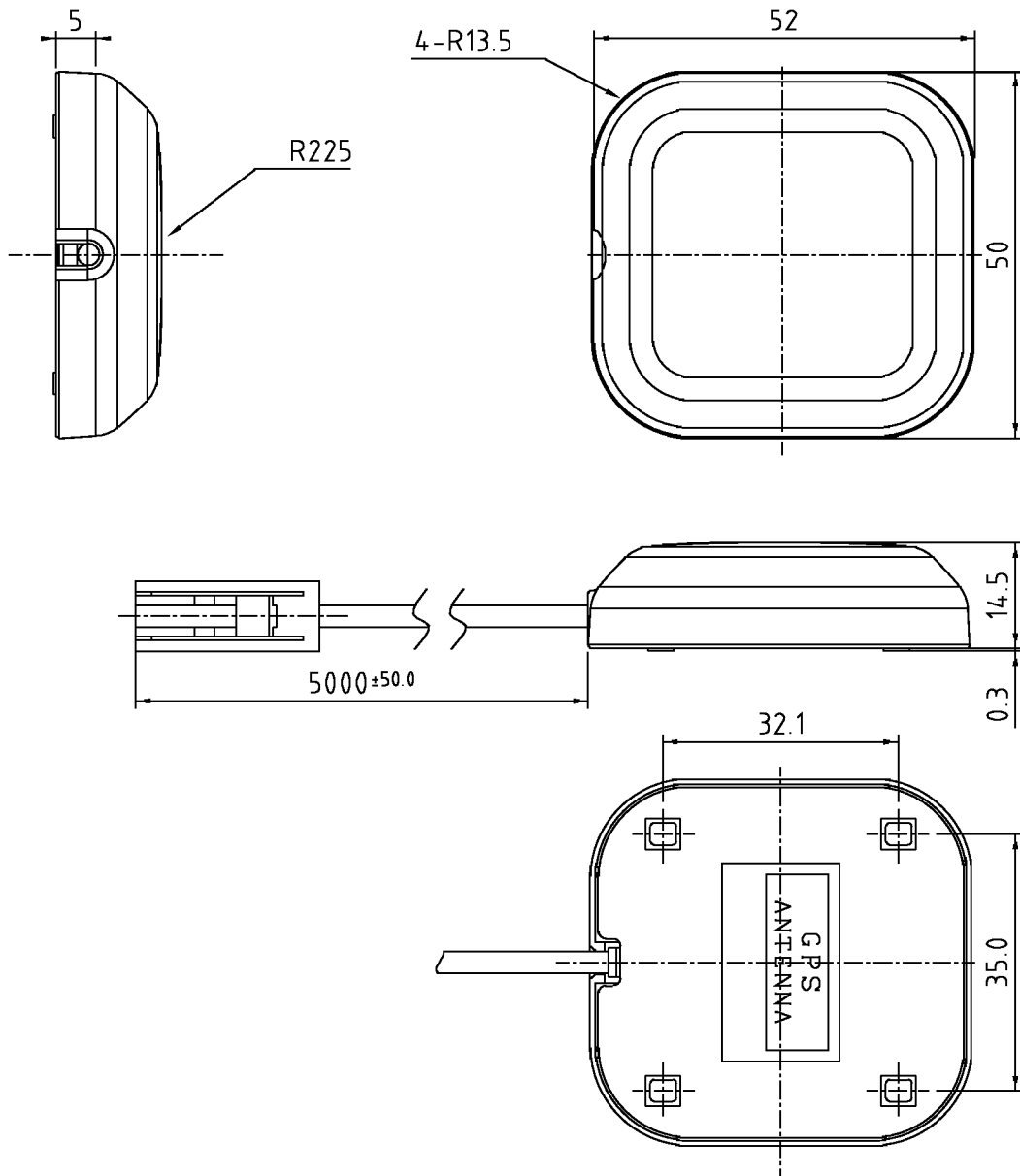
FEATURES

1. An antenna, a low-noise amplifier, and a dielectric filter are provided as built-in units.
2. High gain and low noise (HEMT is used in the LNA first stage amplifier).
3. Small and thin type (14.8mm in thickness with a Mitsumi's standard sheathing).

SPECIFICATIONS

Item		Specifications
Antenna	Receiving Frequency	1575.42±1.023MHz
	Receiving Polarization	Clockwise Circularly Polarized Wave
	Antenna Gain	0dBi min. (Elevation angle 90°)
	Output Impedance	50Ω
LNA	Receiving Frequency	1575.42±1.023MHz
	Noise Figure	1.1dB typ. 1.5dB max.
	Gain	26dB typ.
	Gain Flatness	1dB max.
	Gain Rejection	18dB min. (f ₀ ±50MHz)
	Overall Gain of Unit	28dBi typ. (Elevation angle 90°)
Power Supply		5V 15mA typ. 25mA max.

DIMENSIONS



*** We will comply with customer requests regarding connector type and cable length.**

Unit : mm