

REV.	REVISION CHANGES
X2	NEW FORMAT

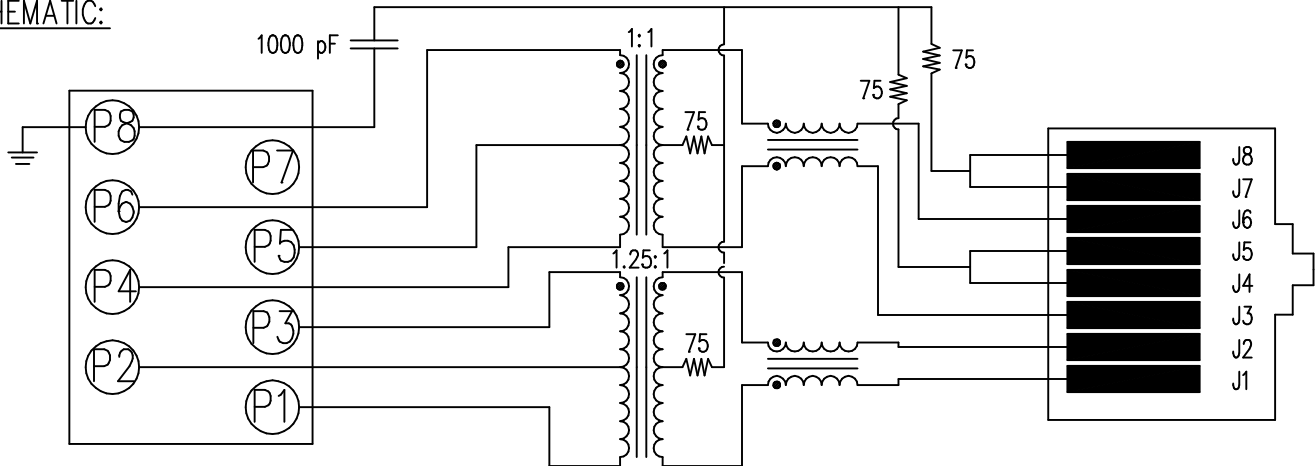
PART NO. MG16

ELECTRICAL SPECIFICATIONS

For Reference Only

Current Rating (Signal)	1.5 amps @ 25°C
Voltage Rating	150 VAC
Return Loss (dB min)	(P6-P4) = 100Ω & (P1-P3) = 156Ω REF. 100Ω connected to (J2-J1) or (J6-J3)
Insertion Loss (dB max)	RS = RL = 100Ω
Rise Time (3.0 nS max)	RS = RL = 100Ω
Common to Differential Mode Attenuation (dB min)	40 @ 100 KHz to 50 MHz 15 @ 50 MHz to 140 MHz
Common to Common Mode Attenuation (dB min)	10 @ 500 MHz to 1 GHz
Dielectric Withstand Voltage	(J1, J2) to (P1, P3) (J3, J6) to (P4, P6)
* Inductance	(P6-P5-P4) (P3-P2-P1)
Leakage Inductance	P6-P5-P4 (w/ J6 & J3 shorted) P3-P2-P1 (w/ J2 & J1 shorted)
Turns Ratio	(P6-P5-P4) : (J6-J3) (P3-P2-P1) : (J2-J1)
* Primary to Secondary Capacitance	(P6-P5-P4) : (J6-J3) (P3-P2-P1) : (J2-J1)
* Direct Current Resistance	(J6-J3) = (J6-J3)

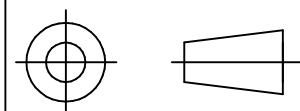
SCHEMATIC:



Notes:

- "*" Designates specifications that are consistent between transmitting and receiving ports.
- Pins without electrical connection are omitted.

THIRD ANGLE PROJECTION



THIS DRAWING AND THE SUBJECT MATTER SHOWN THEREON ARE CONFIDENTIAL AND THE PROPRIETARY PROPERTY OF STEWART CONNECTOR SYSTEMS ("SCS") AND SHALL NOT BE REPRODUCED, COPIED OR USED IN ANY MANNER WITHOUT PRIOR WRITTEN CONSENT OF "SCS". THE SUBJECT MATTER MAY BE PATENTED OR A PATENT MAY BE PENDING. © SCS