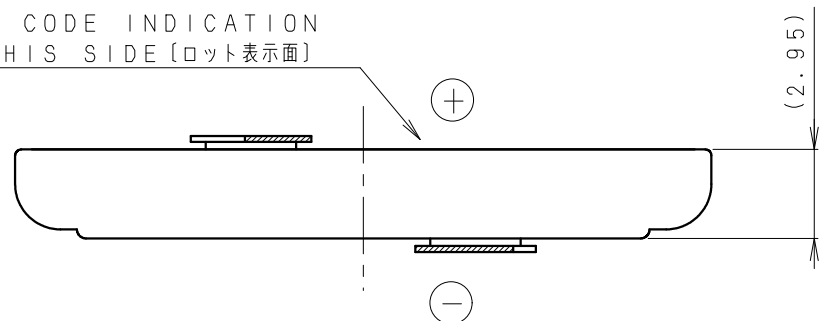


DATE CODE INDICATION
ON THIS SIDE [ロット表示面]



NOTE [注記]

1. NOMINAL VOLTAGE: 3V [公称電圧3V]
2. TAB WELDING STRENGTH OVER 19.6N [端子溶接強度: 19.6N以上]
3. TAB MATERIAL: STAINLESS STEEL WITH TIN PLATING [端子材料: 基材 ステンレス/表面 部分Snめっき]
4. (): REFERENCE DIMENSION AND ANGLE [() 寸法、角度は参考値]
5. REGARDING THE LAST CHARACTER OF PRODUCT NO.
N MEANS INTERNATIONAL MODEL,
K MEANS JAPANESE MODEL.
[製品番号の末尾の文字に関して Nは海外向、Kは日本向を意味します。]

PRODUCT NO.	BR-2330/VC1N(K)	SCALE	4:1
DRAWING NO.	QKVB1Z	UNIT: mm	