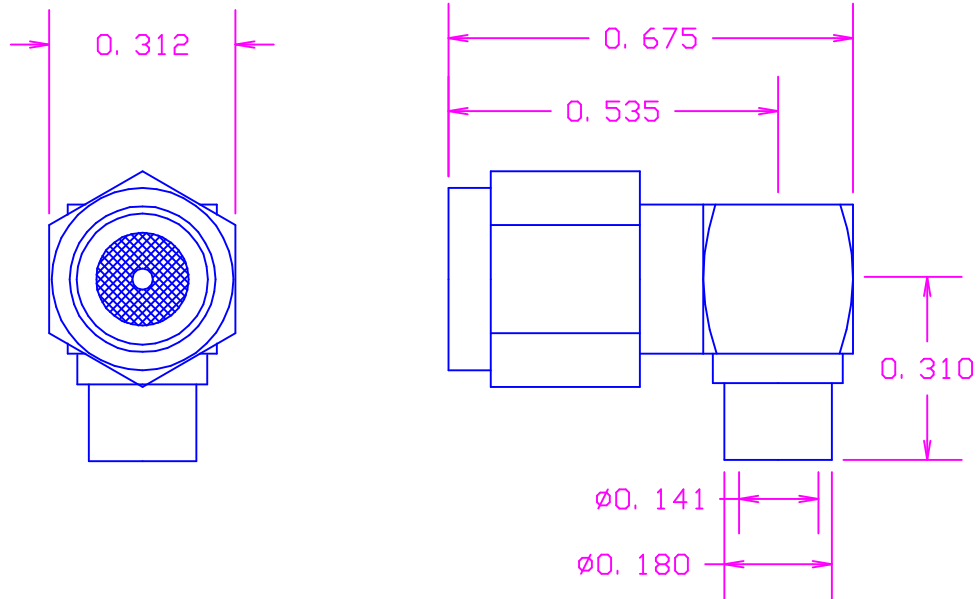
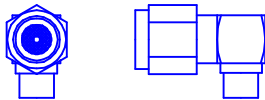


DATE	SYM	REVISION RECORD	AUTH.	DR.	CK.
11/2/98	-	ISSUED		NT	GH



MATERIAL: BODY- STAINLESS STEEL,  
CLASS 303, CONDITION A  
INSULATION- TFE FLUOROCARBON PER L-P-403,  
TYPE I  
FINISH; CONTACT- .000050"MIN. GOLD PER  
MIL-G-45204, TYPE I, GRADE C  
CLASS 2, OVER .0001"MIN. COPPER  
BODY- GOLD PLATED  
IMPEDANCE: 50 OHMS REF.  
CABLE: .141SR

ACTUAL SIZE



TOLERANCES REF, ONLY	CONCORD ELECTRONICS CORPORATION		
DECIMAL + -	P/N	SCALE	30 GREAT JONES ST. NEW YORK N. Y. 10012
FRACTIONAL + -	TITLE SMA RIGHT ANGLE PLUG		
+ -	DATE 10/29/98	DRAWING NUMBER 800-1113-03-3B	