

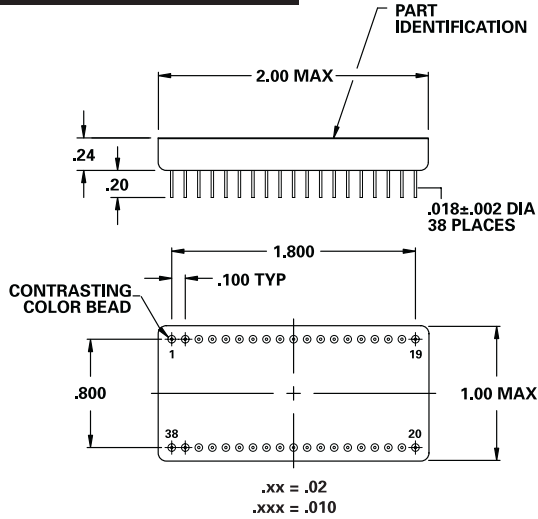
MODEL NUMBER DS0820

PIN Diode SP10T

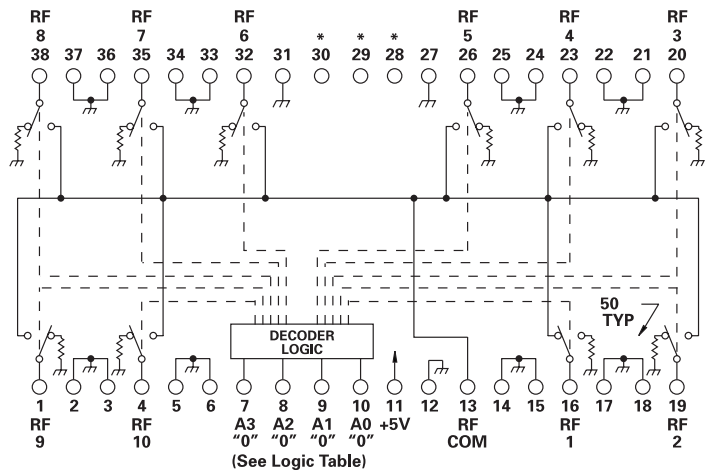
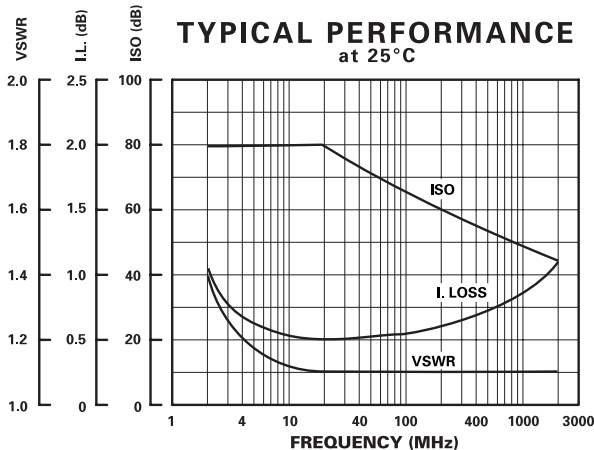
FEATURES

- 10-1500 MHz
- 15 mA, +5 VDC
- TTL Driver
- Non-Reflective

SP10T



7	8	9	10	PIN
A3	A2	A1	A0	FUNCTION
0	0	0	0	RF1 to RF COM
0	0	0	1	RF2
0	0	1	0	RF3
0	0	1	1	RF4
0	1	0	0	RF5
0	1	0	1	RF6
0	1	1	0	RF7
0	1	1	1	RF8
1	0	0	0	RF9
1	0	0	1	RF10 to RF COM
1	0	1	0	INVALID
1	1	1	1	



* = No Internal Connection (3 Places)
Ground PINS = 2, 3, 5, 6, 12, 14, 15, 17, 18, 21, 22, 24, 25, 27, 31, 33, 34, 36, 37

GUARANTEED PERFORMANCE

Parameter	Min	Typ	Max	Units	Conditions	
Operating Frequency	10		1500	MHz		
DC Current		15	35	mA	At +5 VDC Supply	
Control Type		TTL			4 Line, See Logic Table	
Control Current	High	0		μA	V _{IH} = +2.7 V	
	Low	0		μA	V _{IL} = +0.5 V	
Insertion Loss		0.95	1.5	dB	10 - 500 MHz	
		1.6	2.0	dB	500 - 1500 MHz	
Isolation		40	46	dB	10 - 1000 MHz	
		35	42	dB	1000 - 1500 MHz	
VSWR	Thru Termination		1.3/1	1.5/1	10 - 1500 MHz	
			1.1/1	1.5/1	10 - 500 MHz	
			1.4/1	2.0/1	500 - 1500 MHz	
Impedance		50		OHMS		
Switching Speed		3.0	5.0	μSEC		
Transition (Rise/Fall) Time		1.0		μSEC	90% / 10% or 10% / 90% RF	
Switching (Video) Transients		640		mV	Peak Value	
Intercept Points	2nd	+64		dBm	70 MHz / 50 MHz	
	3rd	+35		dBm	35 MHz / 50 MHz	
RF Power	Operate		+11	+5	dBm	10 - 50 MHz 0.1 dB Comp.
			+18	+13	dBm	50 - 1500 MHz 0.1 dB Comp.
			+27		dBm	
Operating Temperature		-55	+25	+125	°C	TA