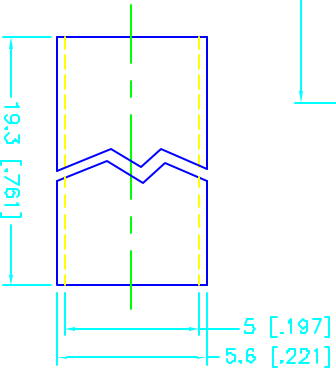
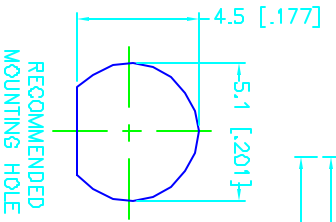
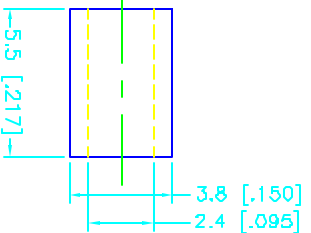
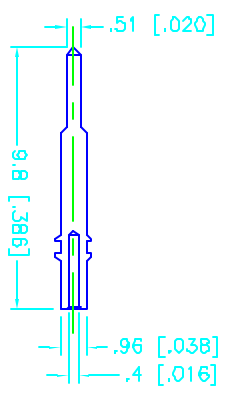
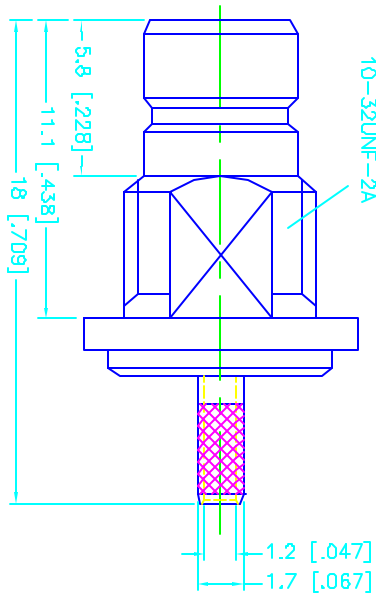
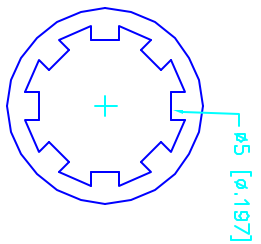
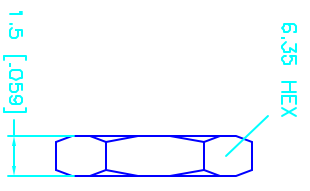
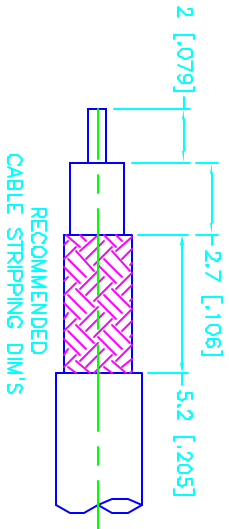


REV.	DATE	DESCRIPTION
NC	09/28/99	INITIAL RELEASE



DESCRIPTION	MATERIAL	FINISH	UNLESS OTHERWISE SPECIFIED DIMENSIONS ARE IN MILLIMETERS	APPROVALS	DATE	TITLE	
1 BODY	BRASS	NICKEL	UNLESS OTHERWISE SPECIFIED DIMENSIONS ARE IN INCHES FOR CUSTOMER REFERENCE ONLY UNLESS OTHERWISE SPECIFIED TOLERANCES FOR MILLIMETERS ARE: 0.5-6 = ± 0.2 6-30 = ± 0.4 30-120 = ± 0.6 120-315 = ± 1 315-1000 = ± 1.6 1000-2000 = ± 2.4	DRAWN	G.R.S.	09/28/99	Comnex Connector Corporation SMB BULKHEAD CRIMP JACK (FOR 178B/U, 196A/U CABLE)
2 INSULATOR	TEFLON	NATURAL		CHECKED			
3 CONTACT PIN	BRASS	GOLD		ISSUED			
4 FERRULE	COPPER	NICKEL					
5 LOCK WASHER	BRASS	NICKEL					
6 HEX NUT	BRASS	NICKEL					
7 HEAT SHRINK TUBING							
8				DO NOT SCALE DRAWING			