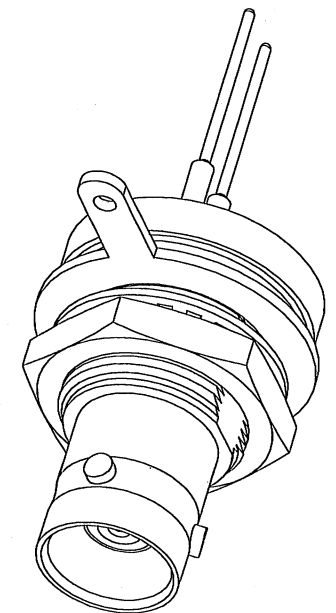
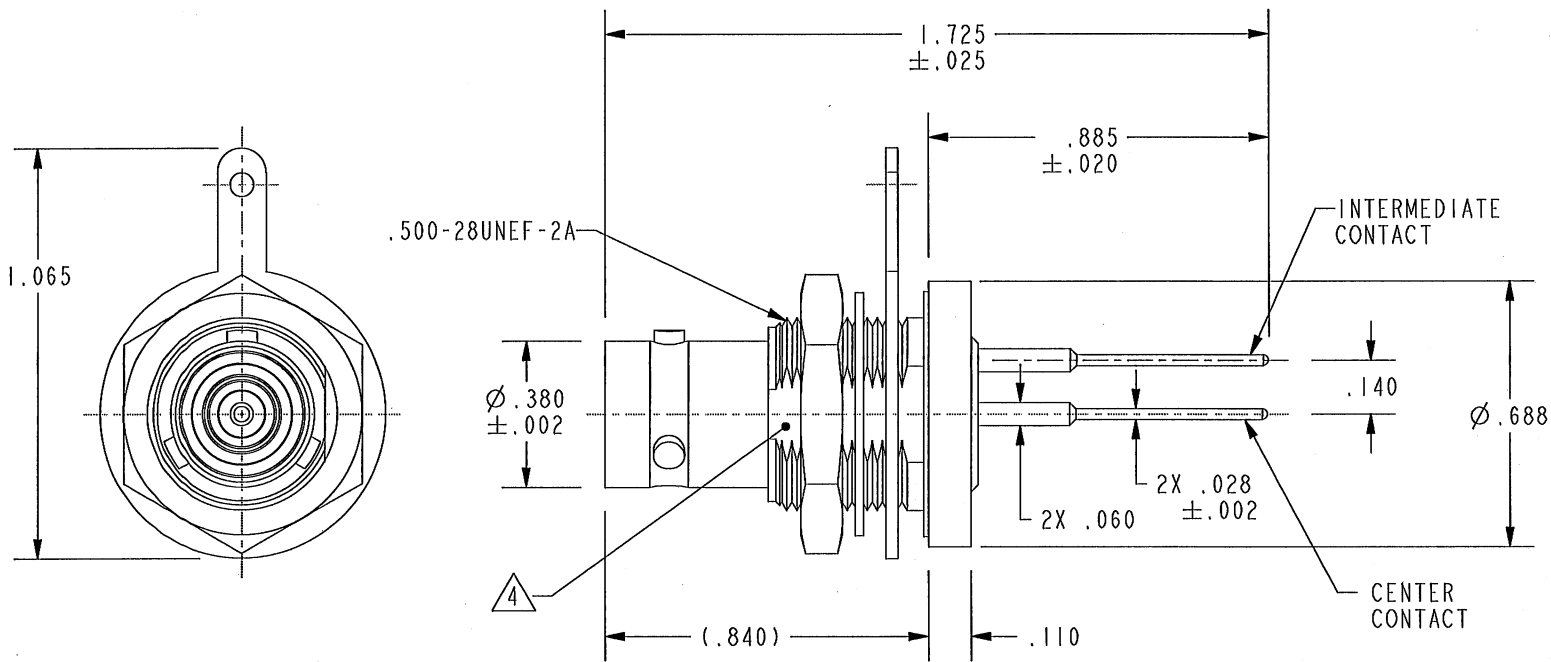


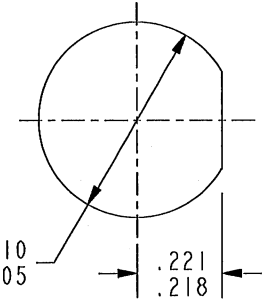
DATA CONTAINED IN THIS DOCUMENT IS PROPRIETARY TO TROMPETER ELECTRONICS INC. AND SHALL NOT BE DISCLOSED, COPIED OR USED FOR PROCUREMENT OR MANUFACTURE WITHOUT EXPRESS WRITTEN PERMISSION.

REVISIONS

REV	DESCRIPTIONS	DATE	APPROVED
E	REVISED PER ECO 16224	2/9/06	mmc



SCALE 2/1



RECOMMENDED PANEL CUT-OUT

RED INDICATES ORIGINAL

- 4 ORIENT "D" FLAT TO PC TAILS AS SHOWN
- 3. MAXIMUM PANEL THICKNESS .208
- 2. CONCENTRIC TWINAX/TRIAX TRB STYLE REAR BULKHEAD MOUNT WITH PC TAILS
- 1 FINISH: BODY: TFS-1A (NICKEL)
CONTACTS: TFS-1B (GOLD 5G)

NOTES: UNLESS OTHERWISE SPECIFIED.

INTERPRET DRAWING PER MIL-STD-100. DIMENSIONS ARE IN INCHES AND INCLUDE FINISH THICKNESS UNLESS OTHERWISE SPECIFIED.		TOL: UNLESS SPECIFIED. .XX ± .02 .XXX ± .010 ANGLE ± 1°			
DRN L.M. 8-3-06 CHK CJM 8-8-06 QUALITY MANUF APPROVED [Signature] 8/8/02	MATERIAL:		TITLE:		BJ76-SPECIAL
FINISH:		SIZE CAGE CODE DRAWING NO. REV. A 14949 305-1520 E			
NEXT ASSY		DO NOT SCALE DWG		SCALE DATE 3-7-02 SHEET IC	