



# 57JE Series



## Ordering Information

Unit:mm(inch)

**57JE - B 36 H - L 12 D2**

### DEVIATION

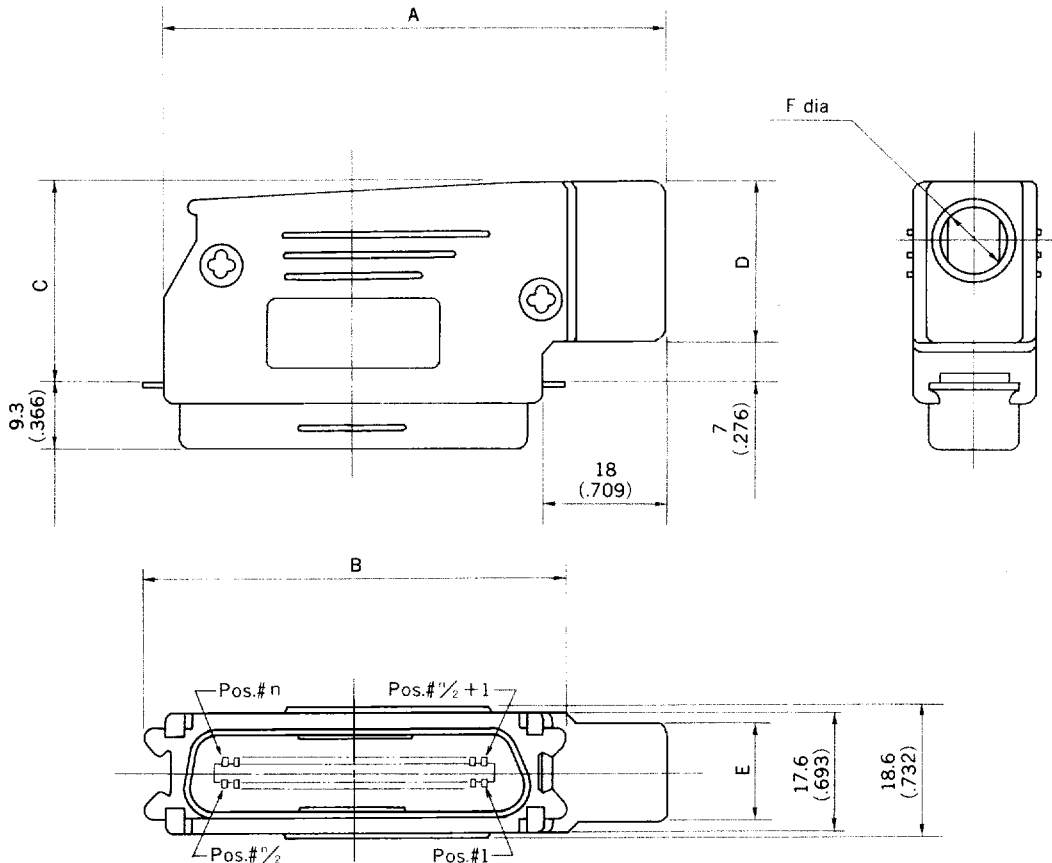
No designation : 24, 36, 50 contacts  
D2 : 14 contacts only

### NO. OF CONTACTS

14, 24, 36, 50

(Part number includes connector and hood)

## Dimensions



NO. OF CONT'S	A	B	C	D	E	F
14	44.4 (1.748)	37.8 (1.488)	28 (1.102)	21 (.827)	13 (.512)	8.4 (.331)
24	57.5 (2.264)	48.6 (1.913)	28 (1.102)	21 (.827)	13 (.512)	9.0 (.354)
36	72.7 (2.862)	61.6 (2.425)	29 (1.142)	22 (.866)	14 (.551)	10.0 (.394)
50	89.7 (3.531)	76.7 (3.020)	30 (1.181)	23 (.906)	15 (.591)	11.0 (.433)

# 57JE Series



## ● Receptacles—right angle dip solder connectors Ordering Information

Unit:mm(inch)

### 57LE-40360-7700 (D34)

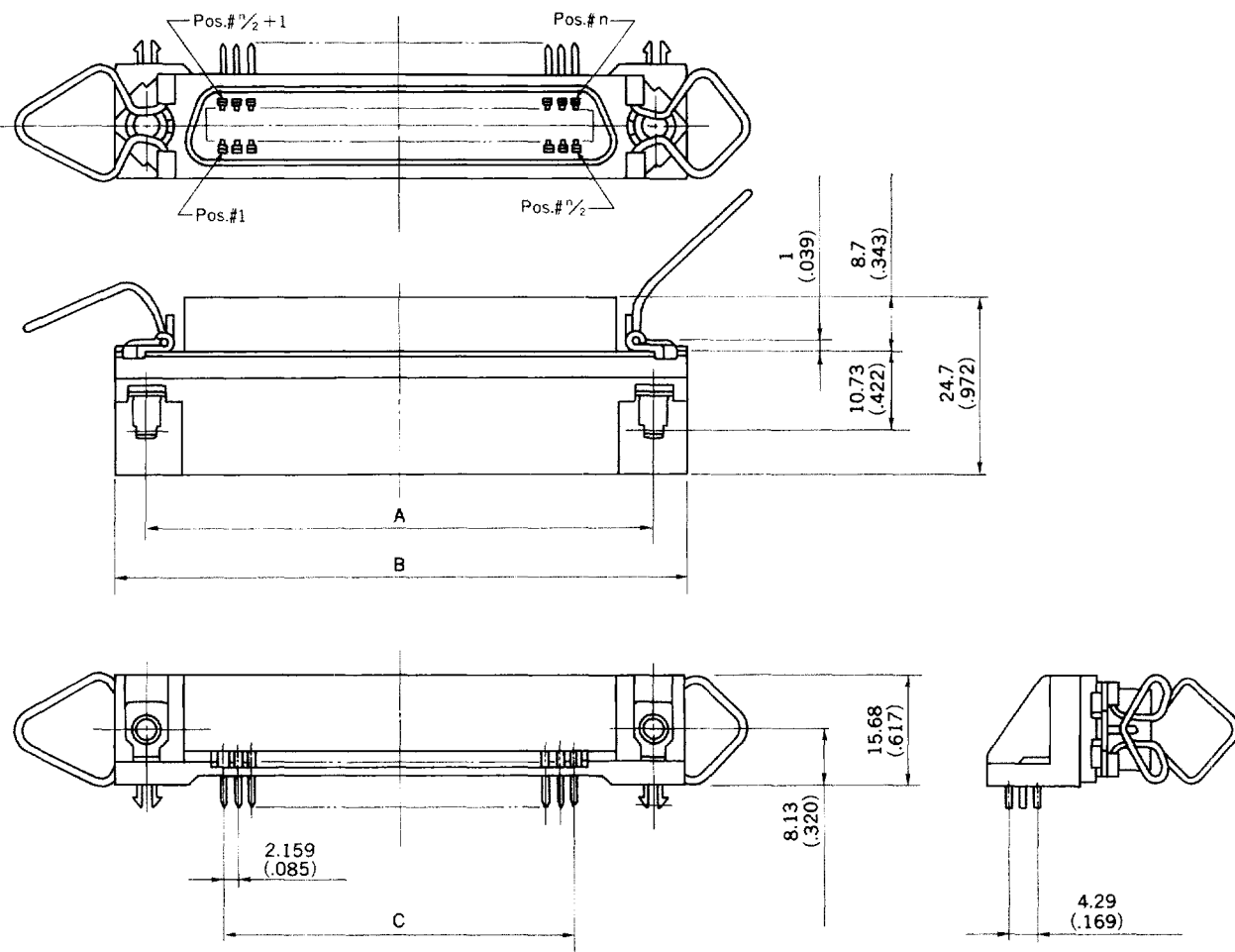
#### DEVIATION

- (D34) : with 90° bent spring latch,  
contact position... (see below)
- (D44) : with 90° bent spring latch,  
contact position... (see below)

#### CONNECTOR P/N

See 57LE series ordering information

### 57LE-40xx0-xxxx (D34) type

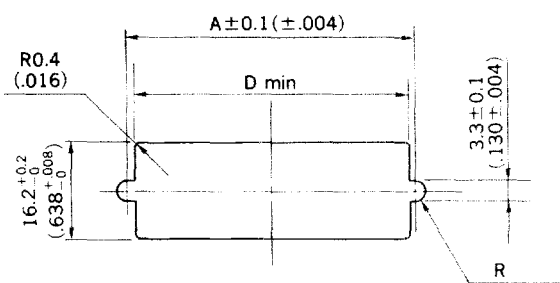
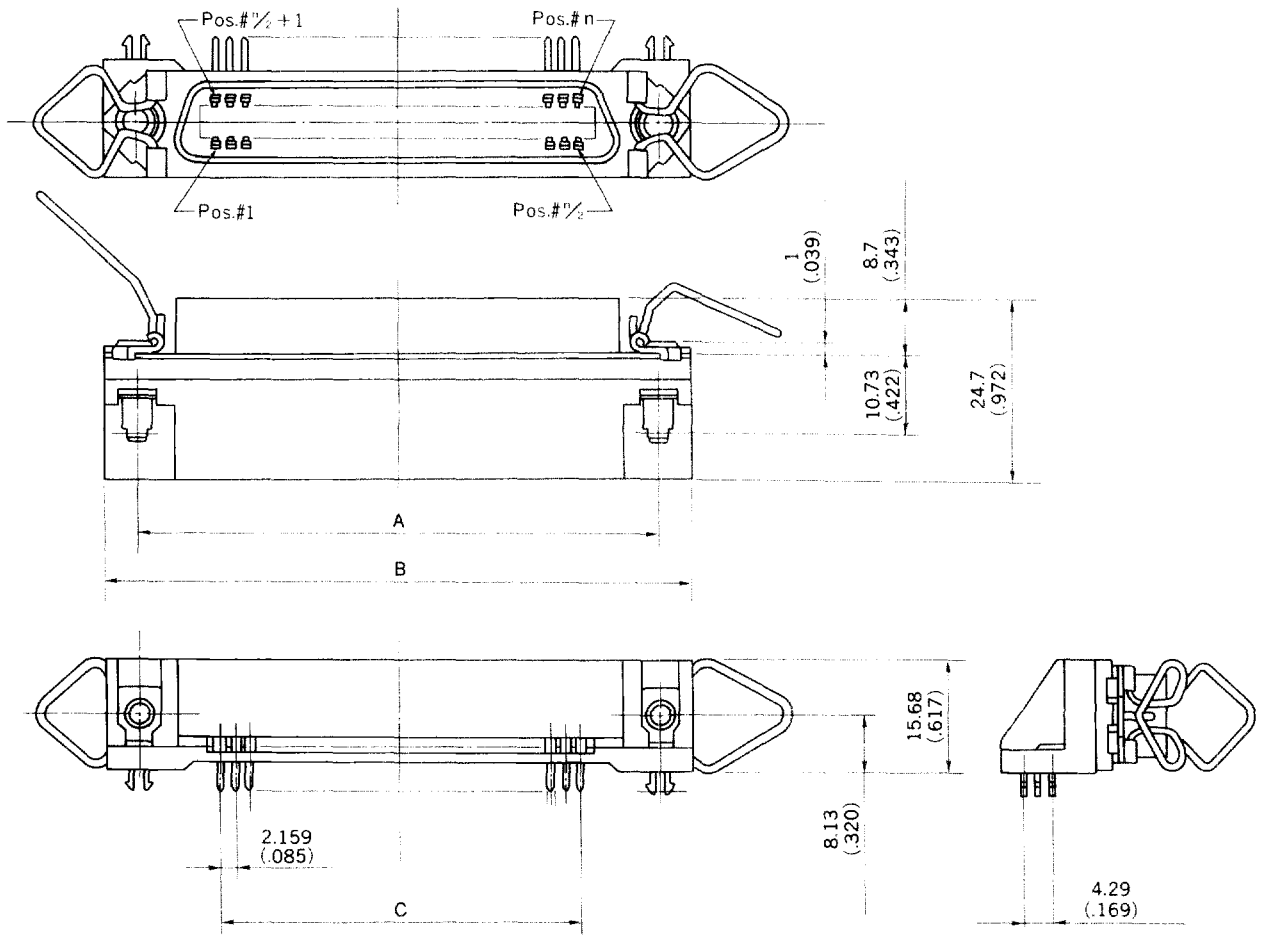


# 57JE Series

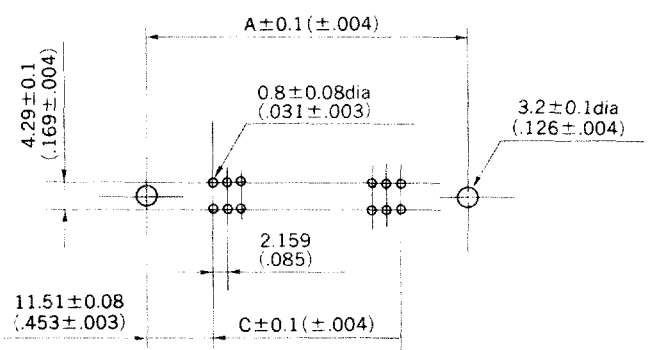


57LE-40xx0-xxxx (D44) type

Unit:mm(inch)



Panel cut out dimensions  
Thickness = 1.6max (.063)



PCB mounting dimensions

NO. OF CONT'S	A	B	C	D
14	36.00 (1.417)	44.00 (1.732)	12.96 (.510)	35.3 (1.390)
24	46.78 (1.842)	54.78 (2.157)	23.76 (.935)	46.08 (1.814)
36	59.74 (2.352)	67.74 (2.667)	36.72 (1.446)	59.04 (2.324)
50	74.85 (2.947)	82.85 (3.262)	51.84 (2.041)	74.15 (2.919)