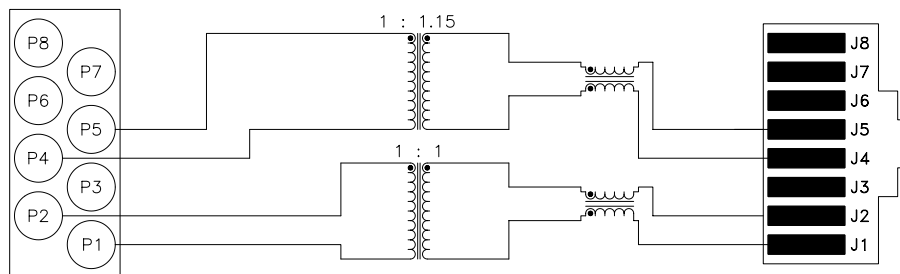


NOTES:

1.0 PINS WITHOUT ELECTRICAL CONNECTION ARE OMITTED.



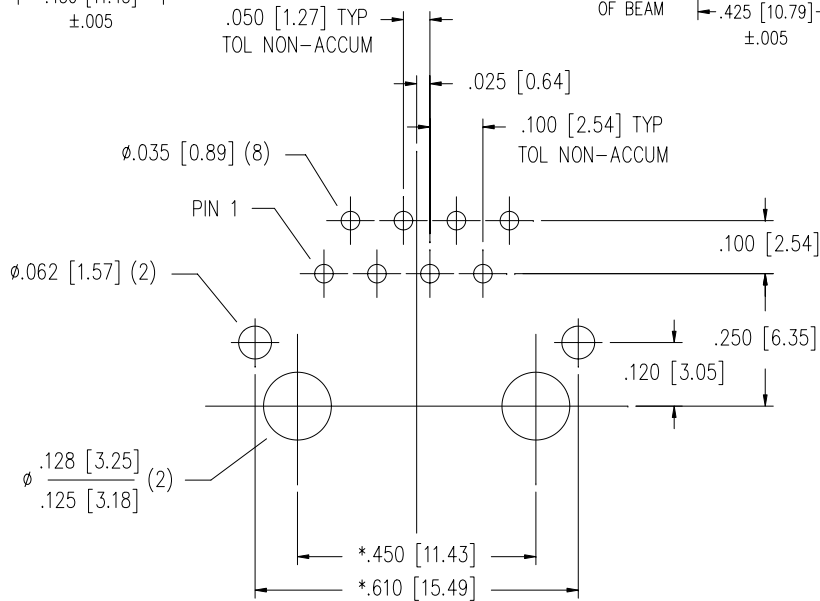
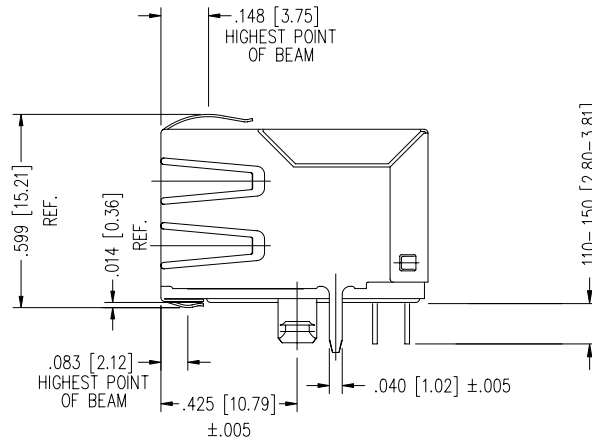
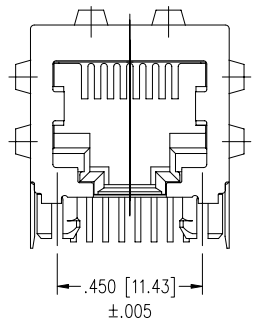
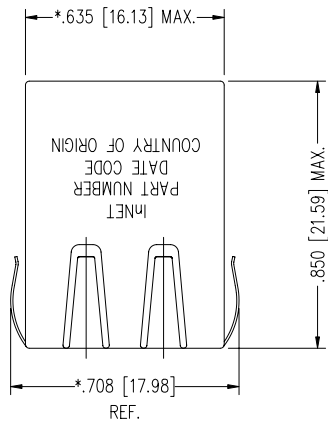
ELECTRICAL SPECIFICATIONS:

- 1.0 TURNS RATIO: (P2-P1) : (J2-J1) : 1 : 1 ±3%
 (P5-P4) : (J4-J4) : 1 : 1.15 ±3%
- 2.0 INDUCTANCE: (P2-P1) ; (P5-P4) : 1.2mH MIN. @ 0.01V, 10KHz, +25°C
- 3.0 LEAKAGE INDUCTANCE: P2-P1 (WITH J2 AND J1 SHORT) : 0.5uH MAX. @ 1MHz
 P5-P4 (WITH J5 AND J4 SHORT) : 0.5uH MAX. @ 1MHz
- 4.0 INTERWINDING CAPACITANCE: (P2,P1) TO (J2,J1) : 35pf MAX. @ 1MHZ
 (P5,P4) TO (J5,J4) : 35pf MAX. @ 1MHZ
- 5.0 RETURN LOSS: (J1-J2) 100 OHM REF.
 41KHz TO 102KHz : 12dB MIN
 102KHz TO 2.048MHz : 18dB MIN
 2.048MHz TO 2.052MHz : 14dB MIN
- NOTE: 100 OHMS CONNECTED TO PINS P2-P1.
- 6.0 DIELECTRIC WITHSTAND: (P5-P4) TO (J5-J4) : 1500VAC
 (P2-P1) TO (J2-J1) : 1500VAC
- 7.0 COMMON MODE ATTENUATION: : -20dB TYP @ 5MHz TO 100MHz
- 8.0 DC RESISTANC: (P5-P4) ; (P2-P1) : .8 ohms Max.

InNet Technologies inc.
<http://www.innet-tech.com>
 Stewart Connector Systems
<http://www.stewartconnector.com>

SHEET
1 OF 3

DRAWING NO. SI-10214 REV. 01



P.C.B. RECOMMENDED HOLE LAYOUT
 SEEN FROM COMPONENT SIDE
 TOLERANCE $\pm .003 [0.08]$ UNLESS OTHERWISE SPECIFIED

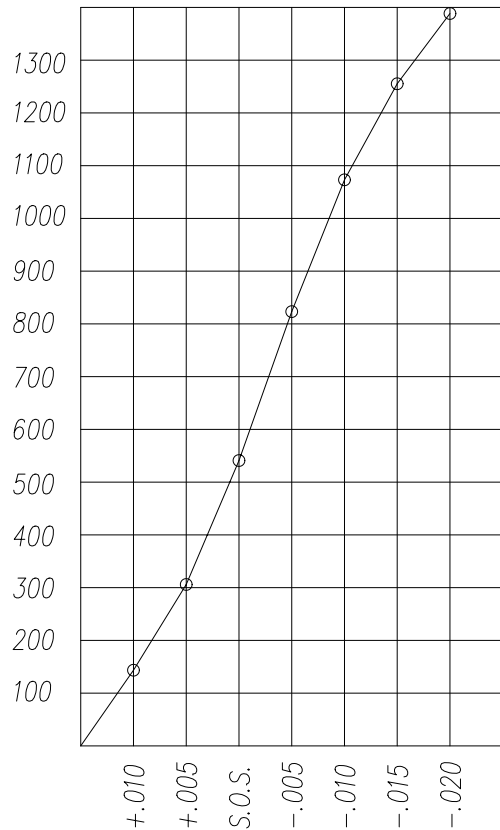
NOTES:

- TOLERANCES COMPLY WITH F.C.C. DIMENSION REQUIREMENTS
- DIMENSIONS SHOWN WITH "*" TO BE CENTRAL ABOUT CENTER LINE
- DIMENSIONS SHOWN ARE SUBJECT TO CHANGE WITHOUT NOTICE.
- PIN NOT ELECTRICALLY CONNECTED MAYBE OMITTED. SEE ELECTRICAL DRAWING FOR OMITTED PINS.
- STANDARD 50 MICRO-INCH SELECTIVE GOLD PLATING

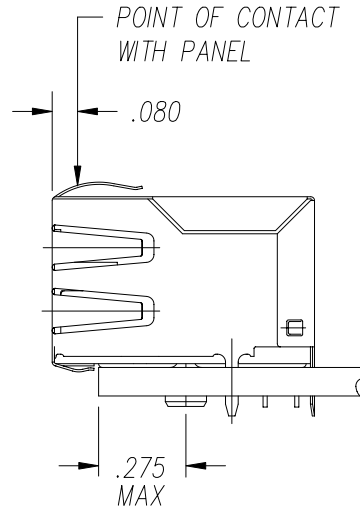
InNet Technologies inc.
<http://www.innet-tech.com>
 Stewart Connector Systems
<http://www.stewartconnector.com>

SHEET
 2 OF 3

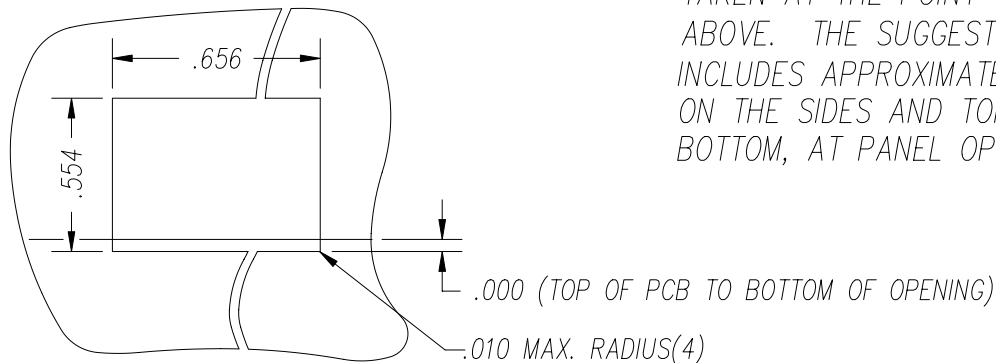
DRAWING NO. SI-10214 REV. 06



PANEL GROUNDING BEAM DEFLECTION
S.O.S. = SUGGESTED OPENING SIZE



THE SUGGESTED PANEL OPENING IS INTENDED TO GIVE THE USER THE ABILITY TO HAVE REASONABLE JACK / PANEL CLEARANCES YET MAINTAIN RELIABLE GROUNDING CAPABILITY. THESE VARIABLES CAN BE ADJUSTED IN EITHER DIRECTION BUT MAY CARRY SOME CONSEQUENCES IN THE FORM OF LOWER MATING FORCES OR TIGHTER ASSEMBLY TOLERANCES. FORCE VALUES ON THE GRAPH ARE GENERAL AVERAGES TAKEN AT THE POINT OF CONTACT SHOWN ABOVE. THE SUGGESTED PANEL OPENING INCLUDES APPROXIMATELY .020 CLEARANCE ON THE SIDES AND TOP AND .013 ON THE BOTTOM, AT PANEL OPENING.



SUGGESTED PANEL OPENING