








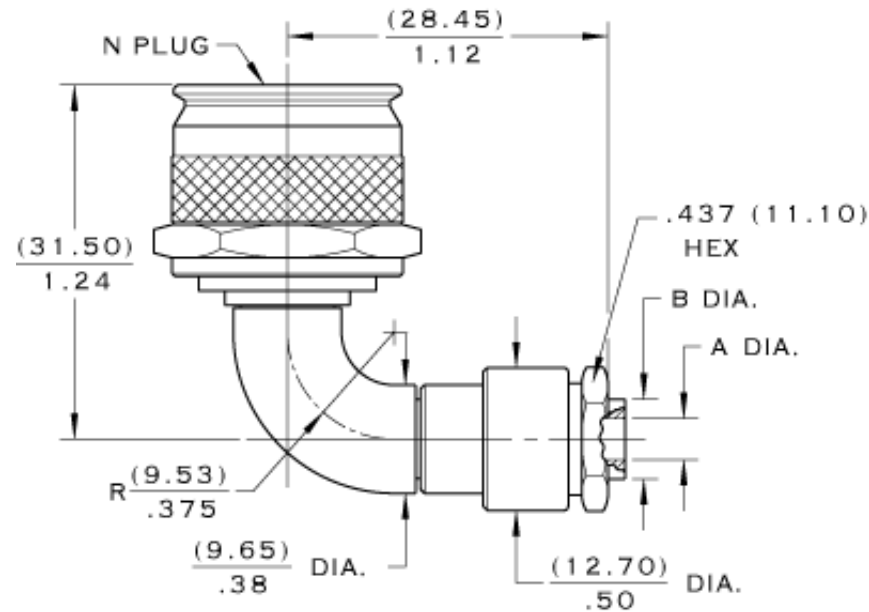
Search: in

- About Us 
- Products 
- minibend 
- mini 141 
- microbend 
- Contact Us
- Online Catalog
- Search
- Request Catalog
- Your Cart

90° sweep N plug - 29710

[Catalog Home](#) -> [Microwave Connectors](#) -> [N Interface](#) -> [Semi-Rigid Cable Connectors](#) -> 90° sweep N plug - 29710

**90° sweep N plug
29710**



- frequency 18 GHz max.
(Max. frequency can be limited by cable.)

CABLE	PART NO.	CABLE DIA.		A DIA.		B DIA.	
		IN.	MM	IN.	MM	IN.	MM
ASTROLAB 31000; RG-402	29710-1	.141	3.58	.144	3.66	.175	4.45
ASTROLAB 31086;							

RG-405	29710-2	.086	2.18	.089	2.26	.125	3.18
RG-401	29710-3	.250	6.35	.255	6.48	.280	7.11
ASTROLAB 33000	29710-33	ASTROLAB 33000		.238	6.05	.280	7.11

Select Part Number: ▼

Enter Quantity:

[Click here](#) to view your cart.

Browse By Category

[Catalog Home](#)

[Microwave Cable Assemblies](#)

[Microwave Cable](#)

[Microwave Connectors](#)

[Contacts](#)

[Adaptors Between Series](#)

[Surge Protection Adaptors](#)

[Phase Shifters](#)

[Other Passive Components](#)

Tel: (732) 560-3800

Fax: (732) 560-9570

[Privacy Policy](#)

[Terms and Conditions](#)

[Email Support](#)