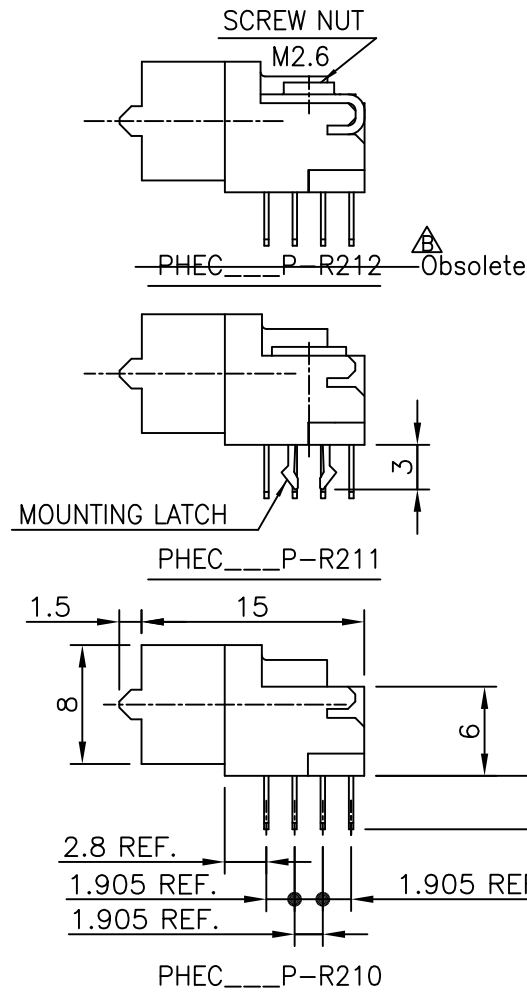
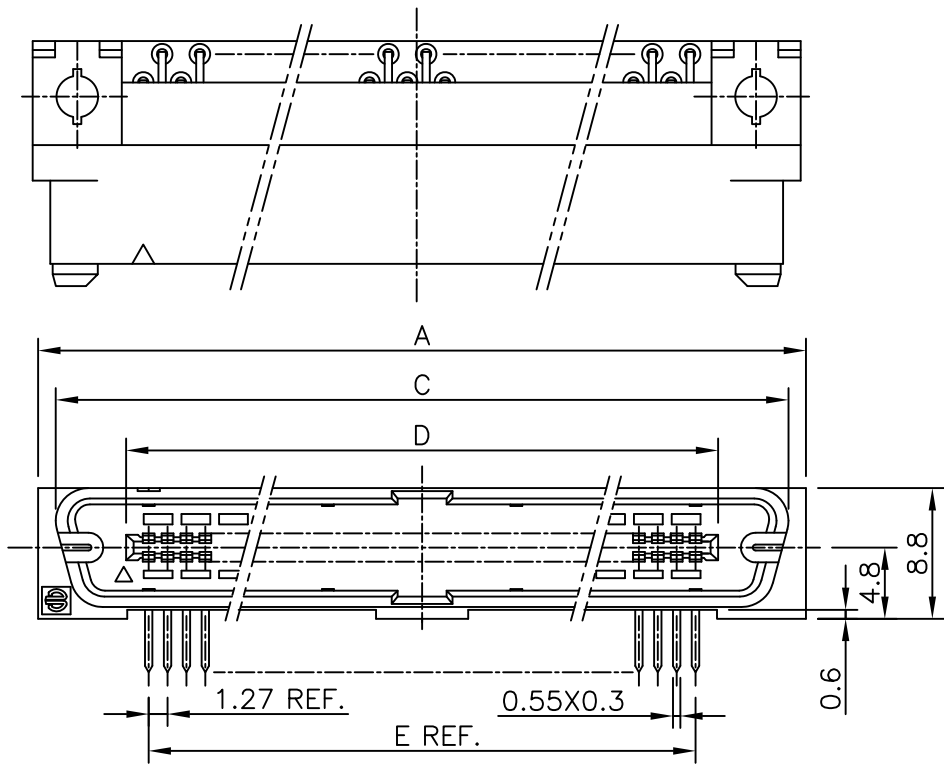
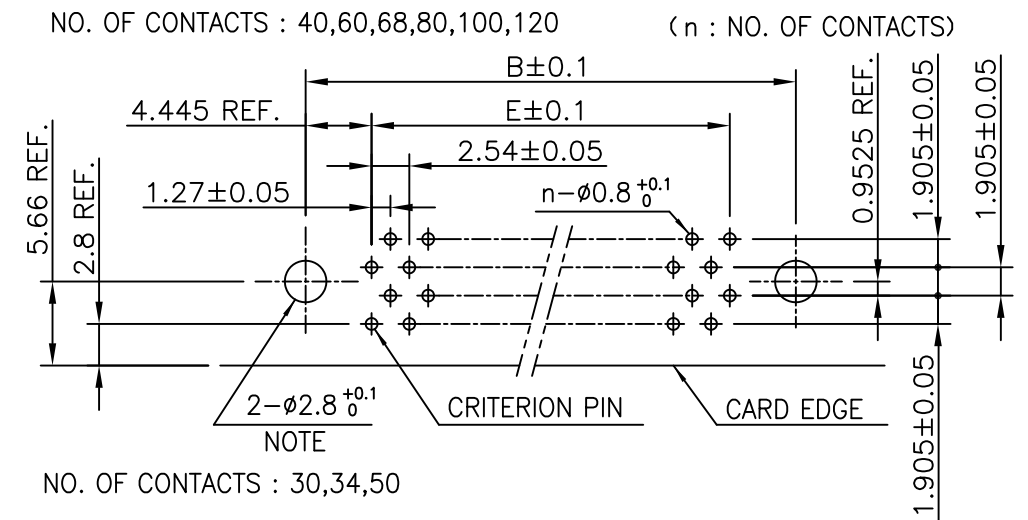


PRODUCT NO.

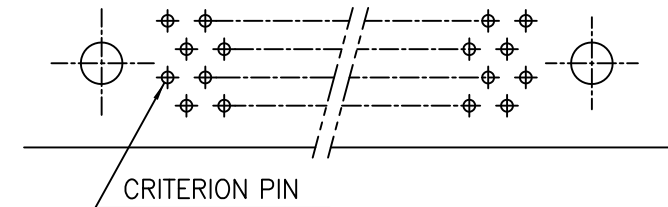
JSC 97408



RECOMMENDED PC BOARD
THICKNESS : 1.6 ±0.2
HOLE PATTERN (COMPONENT SIDE)

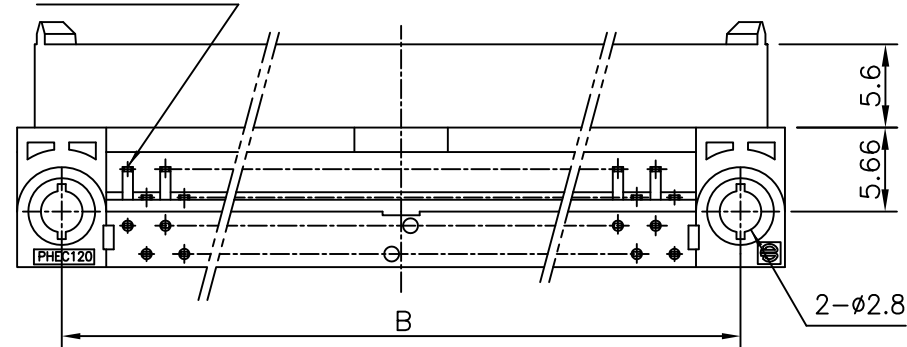


NO. OF CONTACTS : 30,34,50

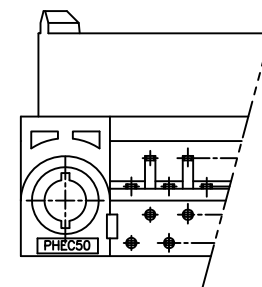


NOTE : THROUGH-HOLES FOR MOUNTING LATCHES ALSO SHOULD BE PLATED.

NO. OF CONTACTS : 40,60,68,80,100,120
CRITERION PIN



NO. OF CONTACTS : 30,34,50



CAT. NO.	NO. OF CONTACTS (MATING SIDE)	DIMENSIONS				
		A	B	C	D	E
PHEC30P-R21_LF	15/ROW X 2 ROWS	32.67	26.67	30.30	20.42	17.78
PHEC34P-R21_LF	17/ROW X 2 ROWS	35.21	29.21	32.84	22.96	20.32
PHEC40P-R21_LF	20/ROW X 2 ROWS	39.02	33.02	36.65	26.77	24.13
PHEC50P-R21_LF	25/ROW X 2 ROWS	45.37	39.37	43.00	33.12	30.48
PHEC60P-R21_LF	30/ROW X 2 ROWS	51.72	45.72	49.35	39.47	36.83
PHEC68P-R21_LF	34/ROW X 2 ROWS	56.80	50.80	54.43	44.55	41.91
PHEC80P-R21_LF	40/ROW X 2 ROWS	64.42	58.42	62.05	52.17	49.53
PHEC100P-R21_LF	50/ROW X 2 ROWS	77.12	71.12	74.75	64.87	62.23
PHEC120P-R21_LF	60/ROW X 2 ROWS	89.82	83.82	87.45	77.57	74.93

NOTES

- BODY MATERIAL : NYLON GLASS FILLED (UL94V-0), COLOR BLACK
- TERMINAL MATERIAL : PHOSPHOR BRONZE
- MOUNTING LATCH MATERIAL : PHOSPHOR BRONZE
- LOCATOR MATERIAL : PBT GLASS FILLED
- SCREW NUT : STEEL
- TERMINAL FINISH
CONTACT AREA : GOLD 0.25µm min. OVER NICKEL UNDERLAYER
SOLDER TAILS : PURE Sn 2µm min. OVER NICKEL UNDERLAYER
- MOUNTING LATCH FINISH : PURE Sn 2µm min. OVER NICKEL UNDERLAYER
- SCREW FINISH : NICKEL
- THIS PRODUCT MEETS EUROPEAN UNION DIRECTIVES AND OTHER COUNTRY REGULATIONS AS DESCRIBED IN GS-22-008
- THE HOUSING WILL WITHSTAND EXPOSURE TO 260 DEGREE PEAK TEMPERATURE FOR 10 SECONDS IN A WAVE SOLDER APPLICATION WITH A 1.6mm MINIMUM THICK CIRCUIT BOARD.

mat'l. code		surface		tolerance		projection		product family		CODE	
---		ISO 1302		ISO 406 ISO 1101		MM		PHEC		JP	
ltr description		ecn no		dr date		tolerances unless otherwise specified		title		sheet 1 of 1 size	
A RELEASED		J08-0178		S.W 2008-4-18		0.X ±0.3		PRINTED CIRCUIT CONNECTOR		A3	
B EOL of R212LF		ELX-J-17067		S.W 2014-2-27		0.XX ±0.3		(CAT.NO.PHEC ___ P-R21_LF)		JSC 97408	
						0.XXX ±0.3		scale N/A		type Customer Drawing	
				dr S.Watanabe 2014-2-27				FCI		Rev. B	
				enr S.Watanabe 2014-2-27							
				chr K.Ito 2014-2-27							
				appd Y.Kameda 2014-2-27							
sheet index		revision sheet		B 1							

Mouser Electronics

Authorized Distributor

Click to View Pricing, Inventory, Delivery & Lifecycle Information:

[Amphenol:](#)

[PHEC100P-R211LF](#) [PHEC40P-R211LF](#) [PHEC60P-R210LF](#) [PHEC60P-R211LF](#) [PHEC80P-R211LF](#)