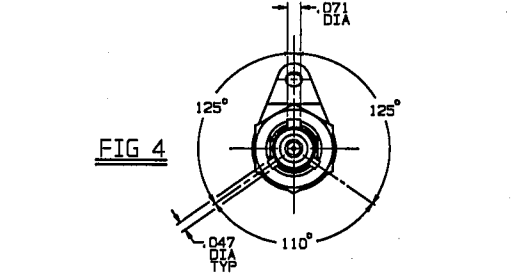
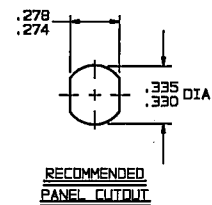
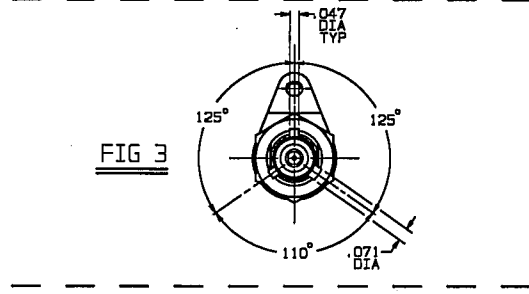
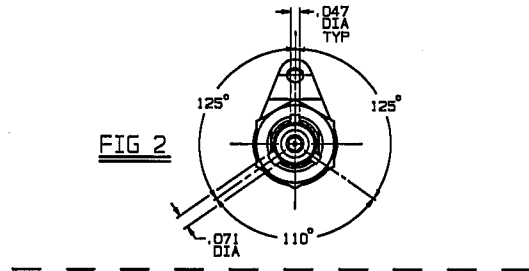
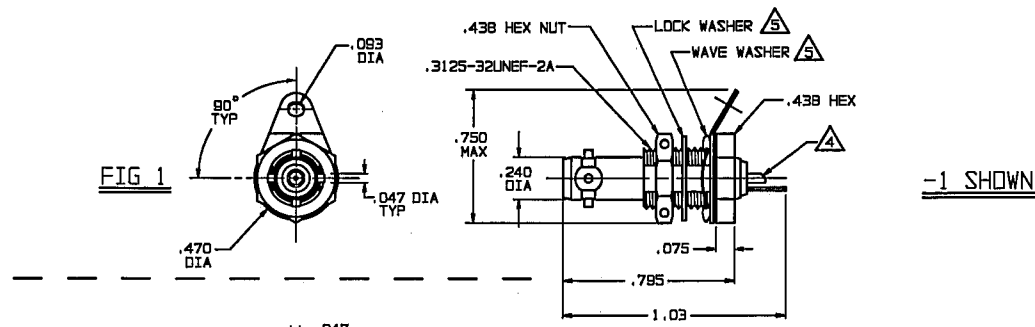


RED INDICATES ORIGINAL

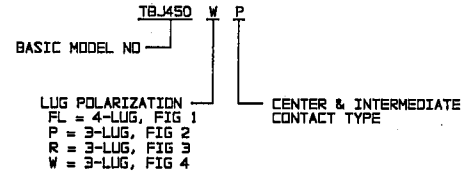
DWG SIZE C	DATA CONTAINED IN THIS DOCUMENT IS PROPRIETARY TO TROMPETER ELECTRONICS, INC. AND SHALL NOT BE DISCLOSED, COPIED OR USED FOR PROCUREMENT OR MANUFACTURE WITHOUT EXPRESS WRITTEN PERMISSION.			REVISIONS		305-0729	SH 1
	REV	EO	DESCRIPTION	DWN	APPROVED	DATE	
A	10783		.750 MAX WAS .715; ADDED HOLES TO HEX NUT	DKC	<i>Bm; FO</i>	8/22/94	

DASH NO	MODEL NO	CENTER CONTACT/INTMD CONTACT TYPE
-1	TBJ450FLP	SOCKET/PIN
-2	TBJ450FLS	PIN/SOCKET
-3	TBJ450PP	SOCKET/PIN
-4	TBJ450PS	PIN/SOCKET
-5	TBJ450RP	SOCKET/PIN
-6	TBJ450RS	PIN/SOCKET
-7	TBJ450WP	SOCKET/PIN
-8	TBJ450WS	PIN/SOCKET

INCH	MM
.010	0.25
.026	0.66
.03	0.76
.047	1.19
.071	1.80
.075	1.91
.093	2.38
.240	6.10
.250	6.35
.274	6.98
.278	7.06
.330	8.38
.335	8.51
.438	11.13
.470	11.94
.750	19.05
.795	20.19
1.03	26.16



6. EXAMPLE OF COMPLETE MODEL NO:



⚠ MAX PNL THK .250 WITH EITHER LOCK WASHER OR WAVE WASHER

⚠ SOLDER PNT ACCEPTS .026 MAX DIA CONDUCTOR

3. CONCENTRIC TWINAX NONINSULATED BULKHEAD MOUNT RECEPTACLE, SOCKET CENTER CONTACT AND PIN INTERMEDIATE CONTACT OR PIN CENTER CONTACT AND SOCKET INTERMEDIATE CONTACT

2. FINISH: TFS-1T (500 HRS SALT SPRAY)

1. ALL DIM ARE IN INCHES

QTY	DESCRIPTION	PART NUMBER	ITEM
TIL UNLESS SPECIFIED	TROMPETER ELECTRONICS, INC.	TBJ450FLP/PLS, PP/PS, RP/RS, WP/WS	
.XX ± .03			
.XXX ± .010			
.XXXX ± .005			
ANGLES 1°			
DWN DKC 8-12-94	MATERIAL	CODE IDENT	DRAWING NO.
CHK <i>BMA</i> 8-19-94		14949	305-0729
ENGR			REV
APPR <i>FW</i> 8/22/94	SCALE 2/1	DATE 2-27-90	A
NEXT ASSY		SHEET	1 OF 2