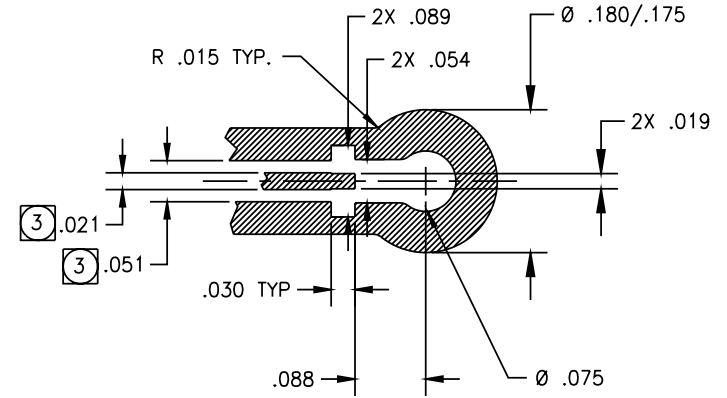
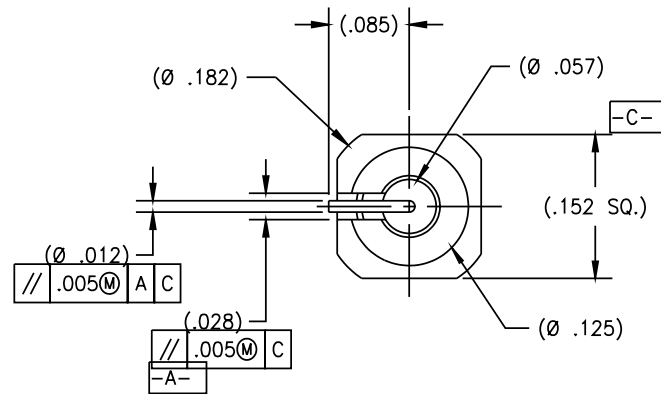
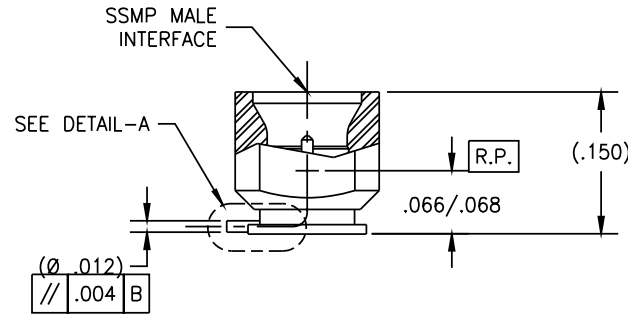
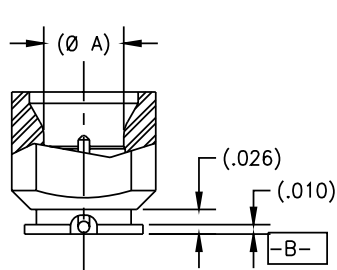


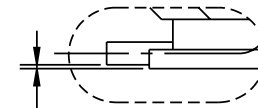
P/N	APPLICABLE NOTE(S)	(Ø A)	INTERFACE
-1CC	1,2,4	.085	DETENT
-2CC	1,2,4	.088	NON-DETENT

REVISIONS				
ZONE	REV	DESCRIPTION	DATE	BY
-	-	-	-	-



MOUNTING HOLE PATTERN

DRAWING NO.	P316	REV.	-
-------------	------	------	---



DETAIL-A

+0.000/-0.003 FROM TOP OF CENTER CONDUCTOR AND INSULATOR TO TOP OF BODY

- NOTE(S):
- MATERIAL(S):
 - CONTACT: BRASS ALLOY PER ASTM B-16
 - INSULATOR: TORLON PER MIL-P-46179.
 - BODY: BeCu ALLOY PER ASTM B-196
(ALT. MAT'L: BRASS ALLOY PER ASTM B-16)

- FINISH(ES):
 - BODY & CONTACT: GOLD PLATED PER ASTM B-488 OVER NICKEL PLATE PER AMS-QQ-N-290
 - INSULATOR: NONE

(3) DIMENSIONS SHOWN ARE FOR ROGERS 4350 PCB MATERIAL. THESE DIMENSIONS MAY VARY DEPENDING ON PCB MATERIAL USED.

- ELECTRICAL PERFORMANCE(S):
 - FREQUENCY RANGE: DC-18GHz
 - R.F. INSERTION LOSS: 0.1dB MAX TO 18GHz
 - VSWR: 1.15:1 MAX TO 18GHz

APPLICABLE TENSOLITE DOCUMENTS		
WORK STD	PROD INST	ASSY INST
NA	NA	NA

TOLERANCES AND NOTES EXCEPT AS NOTED
 DIMENSIONS ARE IN INCHES.
 LINEAR .XXX ±.005 ANGULAR ± 1/2°
 FRACTION ± 1/32

- MACHINE FINISH: \sqrt{R} RMS
- BREAK ALL SHARP EDGES .003 MAX.

NOTICE
 THIS DRAWING EMBODIES A CONFIDENTIAL PROPRIETARY DESIGN ORIGINATED BY TENSOLITE COMPANY AND ALL DESIGN, MANUFACTURING REPRODUCTION, USE AND SALE RIGHTS REGARDING THE SAME ARE EXPRESSLY RESERVED. IT IS SUBMITTED UNDER A CONFIDENTIAL RELATIONSHIP FOR A SPECIFIED PURPOSE AND THE RECIPIENT AGREES BY ACCEPTING THIS DRAWING NOT TO SUPPLY OR DISCLOSE ANY INFORMATION REGARDING IT TO ANY UNAUTHORIZED PERSON TO INCORPORATE IN OTHER PRODUCTS ANY SPECIAL FEATURES PECULIAR TO THIS DESIGN. ALL PATENT RIGHTS HERETO ARE EXPRESSLY RESERVED BY TENSOLITE COMPANY, LONG BEACH, CALIFORNIA 90815.

SEE NOTE(S)	-	SEE NOTE(S)	-
MATERIAL	SIZE	SPECIFICATION	PROCUREMENT
NEXT ASSY	Tensolite HIGH PERFORMANCE CABLES & INTERCONNECT SYSTEMS Long Beach, California 90815		
APPROVAL INITIALS	DATE	TITLE	
DRAWN BY: DKN	02.09.05	SSMP MALE SURFACE SURFACE MOUNT	
CHECKED		SCALE	SUB-DIRECTORY FILENAME
QUALITY		10:1	_OLP\
ENGINEERING: SMP	02.09.05	SIZE	SHEET 1 of 1
		C 30990	DRAWING NO. P316