



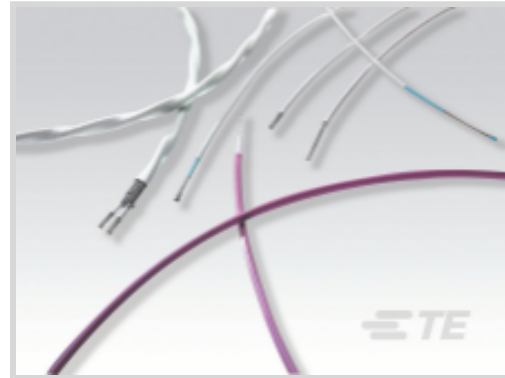
Raychem

TE Internal #: 1738533001

Hook Up Wire, Spec 55T, 600V Voltage Rating, White Wire Color, 24AWG Wire Size, .2mm<sup>2</sup> Wire Size, Operating Temperature Range -65 – 150 °C

[View on TE.com >](#)

Wire & Cable > Hook Up Wire



Cable Type: **Spec 55T**

Voltage Rating: **600 V**

Wire Color: **White**

Insulation Material: **Radiation-Crosslinked, Modified ETFE**

Conductor Material: **Tin-Plated Cadmium Copper**

## Features

### Product Type Features

Cable Style	Special Construction
Product Type	Cable
Product Classification	High Performance - Spec 44, 55 & RCW
Cable Type	Spec 55T

### Configuration Features

Number of Conductors	1
----------------------	---

### Electrical Characteristics

Voltage Rating	600 V
----------------	-------

### Body Features

Wire Color	White
Insulation Material	Radiation-Crosslinked, Modified ETFE
Conductor Material	Tin-Plated Cadmium Copper

### Dimensions

Overall Outside Diameter	1 mm[.0393 in]
Wire Diameter	1 mm[.0394 in]
Conductor Diameter	.585 mm[.023 in]
Wire Size	.2 mm <sup>2</sup>



### Usage Conditions

Operating Temperature Range	-65 – 150 °C
-----------------------------	--------------

### Other

Wire Source	United Kingdom
-------------	----------------

### Product Compliance

[For compliance documentation, visit the product page on TE.com>](#)

EU RoHS Directive 2011/65/EU	Not Compliant
EU ELV Directive 2000/53/EC	Not Compliant
China RoHS 2 Directive MIIT Order No 32, 2016	Restricted Materials Above Threshold
EU REACH Regulation (EC) No. 1907/2006	Current ECHA Candidate List: JUN 2020 (209) Candidate List Declared Against: JUN 2020 (209) SVHC > Threshold: Cd (.35% in Conductor) <b>Article Safe Usage Statements:</b> Use personal protective equipment as required. Do not eat, drink or smoke when using this product. Recycle if possible and dispose of the article by following all applicable governmental regulations relevant to your geographic location.
Halogen Content	Out of Scope - excluded from Halogen requirements
Solder Process Capability	Not applicable for solder process capability

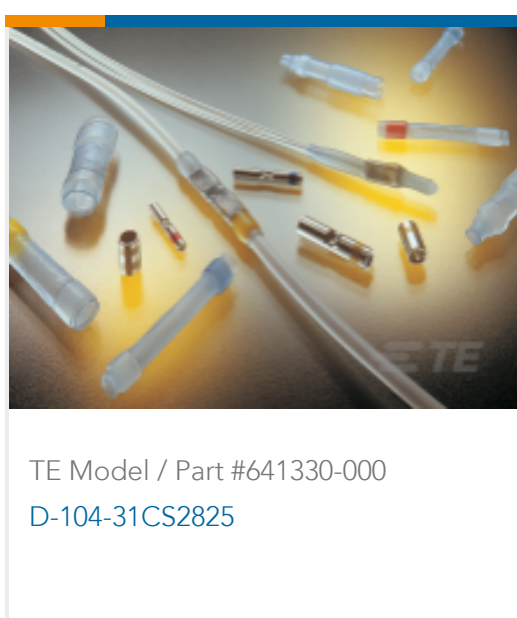
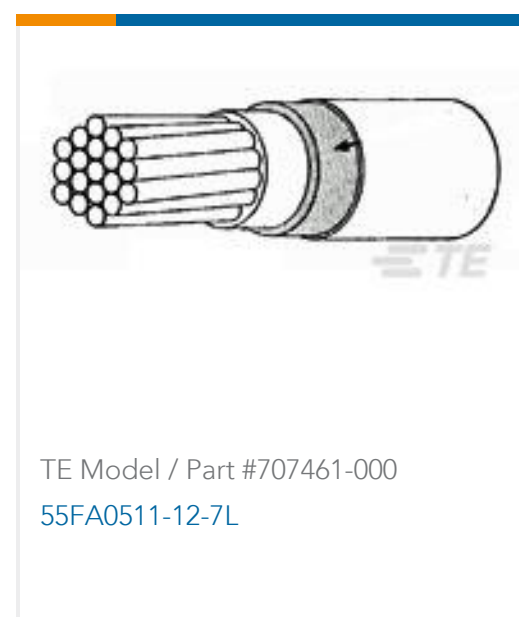
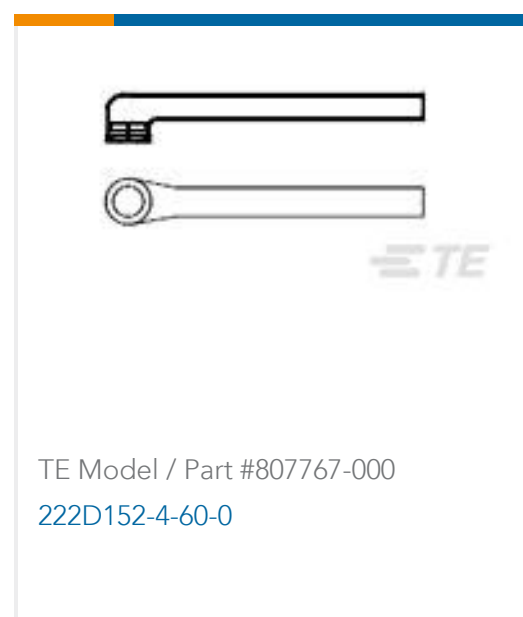
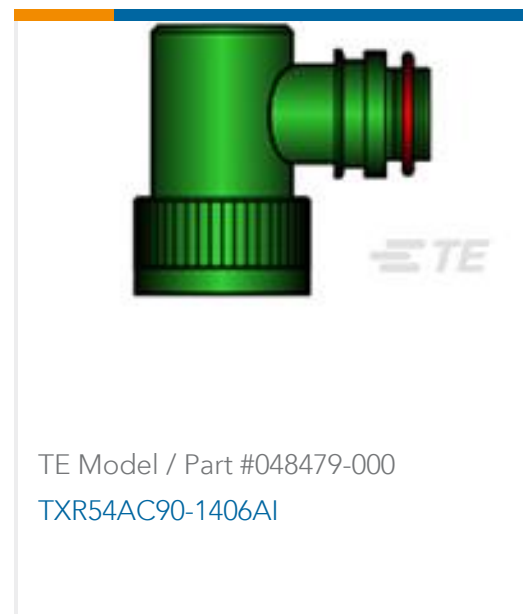
#### Product Compliance Disclaimer

This information is provided based on reasonable inquiry of our suppliers and represents our current actual knowledge based on the information they provided. This information is subject to change. The part numbers that TE has identified as EU RoHS compliant have a maximum concentration of 0.1% by weight in homogenous materials for lead, hexavalent chromium, mercury, PBB, PBDE, DBP, BBP, DEHP, DIBP, and 0.01% for cadmium, or qualify for an exemption to these limits as defined in the Annexes of Directive 2011/65/EU (RoHS2). Finished electrical and electronic equipment products will be CE marked as required by Directive 2011/65/EU. Components may not be CE marked. Additionally, the part numbers that TE has identified as EU ELV compliant have a maximum concentration of 0.1% by weight in homogenous materials for lead, hexavalent chromium, and mercury, and 0.01% for cadmium, or qualify for an exemption to these limits as defined in the Annexes of Directive 2000/53/EC (ELV). Regarding the REACH Regulation, the information TE provides on SVHC in articles for this part number is based on the latest European Chemicals Agency (ECHA) 'Guidance on requirements for substances in articles' posted at this URL: <https://echa.europa.eu/guidance-documents/guidance-on-reach>

### Compatible Parts



## Customers Also Bought



## Documents

### Product Drawings

[55T8015-24-9](#)

English

### Datasheets & Catalog Pages

[1654025\\_Sec9\\_SPEC55](#)

English

[Raychem Wire and Cable Quick Reference Guide](#)

English

55T8015-24-9

Hook Up Wire, Spec 55T, 600V Voltage Rating, White Wire Color, 24AWG Wire Size, .  
2mm<sup>2</sup> Wire Size, Operating Temperature Range -65 – 150 °C

