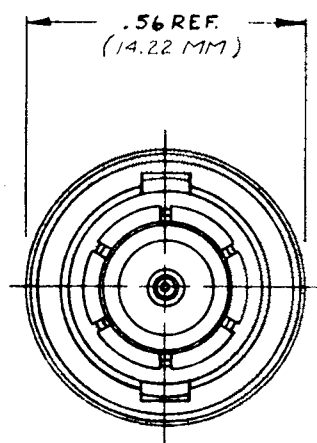
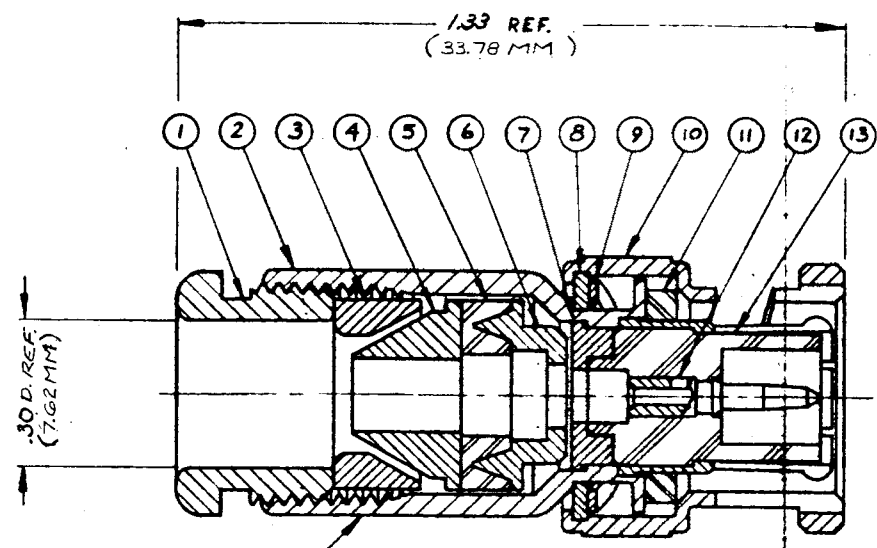


DASH NO. M CODE MADE FROM



STAMP: 380-10072-1
 82918
 MFR 91836
 KC-59-599-M07
 XX XX
 YEAR WEEK.

- NOTES
1. FOR USE WITH CABLE: BOEING D3-7619-5/336
 2. ITEM (2) TO BE SUPPLIED UNASSEMBLED.
 3. FOR CABLING INSTRUCTIONS SEE 3-145.

- UNLESS OTHERWISE SPECIFIED:
- | | |
|--|--|
| 1. TOLERANCES: FRACTIONS & 2 PLACE DECIMALS ± .010 | 2. REMOVE ALL BURRS, BREAK SHARP EDGES .005 MAX. |
| 3 PLACE DECIMALS ± .004 | 3. NO FILLETS PERMITTED. |
| ANGLES ± 0°30' | 4. SURFACE ROUGHNESS 63 MICRONS RMS MAX. |
| T. I. R. CONCENTRICITY OF ANY 2 DIAMETERS MAY NOT EXCEED HALF THE SUM OF THEIR TOLERANCES. | 5. ALL DIMENSIONS PRIOR TO PLATING |
| | 6. ALL PLATING IN ACCORDANCE WITH KER 10004. |

KC-59-599-M07
 (SHEET 1 OF 2)

REVISIONS	
ISSUE	CHANGES
0	ER 20901 KOR 21 JULY 80
1	CN 22917 E MD 11 JAN 82
2	CN 25247 E GL 11 OCT 83

S-D

SCALE: 4:1

USED ON:

REF: BOEING 380-10072-1A

BNC PLUG

DRAWN: <i>KOR</i>	DATE: 17 JULY 80
APPR: <i>ML</i>	DATE: 7/21/80

KINGS
 ELECTRONICS CO., INC.
ESTABLISHED 1959

KC-59-599-M07 **S-D**

(SHEET 1 OF 2)