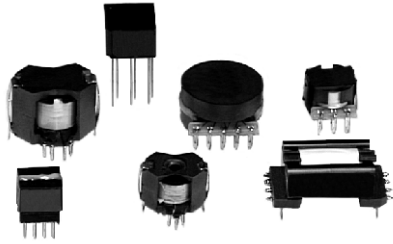


Transformers Pulse, Trigger Type



FEATURES

- Integrated Services Digital Network transformers that provide isolation for the line card and terminal in conjunction with both "S/T" and "U" interfaces.
- Designed to meet the CCITT 1.430 pulse wave form template requirements.
- Isolation voltage levels available for U.S. and international applications.
- Printed circuit board mountable in both through-hole and surface mount packages..
- Standard and custom configurations available.
- PT-100 series used for "S/T" interfaces.
- PT-200 series used for "U" interfaces.



RoHS
COMPLIANT

STANDARD ELECTRICAL SPECIFICATIONS

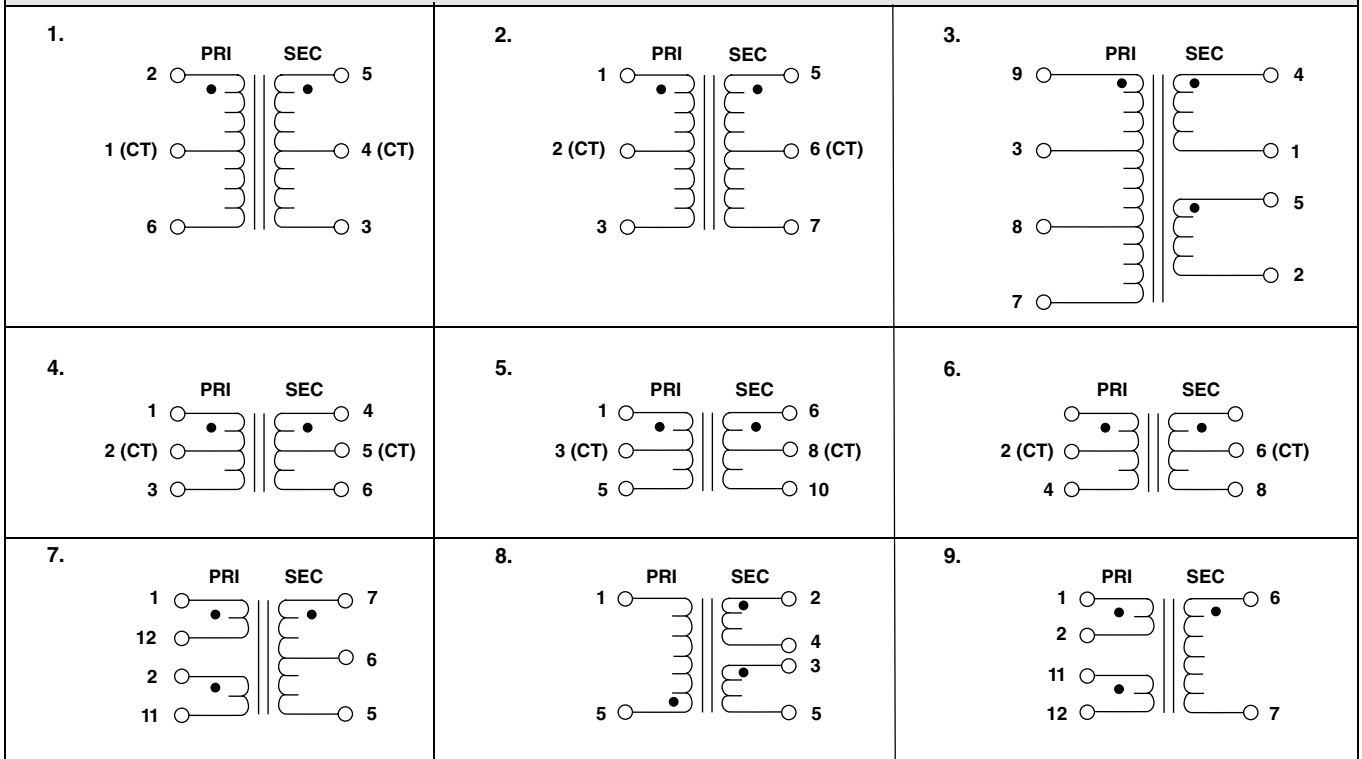
MODEL	TURNS RATIO	PRIMARY INDUCTANCE MIN. (MH)	PRIMARY DCR MAX. (Ohms)	SECONDARY DCR MAX. (Ohms)	LEAKAGE INDUCTANCE MAX. (µH)	PRIMARY/SECONDARY HIPOT (V RMS)	STYLE NUMBER	SCHEMATIC NUMBER
PT-100-01	1 CT : 2 CT	20	1.2	11.0	30	1500	1	1
PT-100-02	1 CT : 2 CT	20	1.2	11.0	30	1500	2	2
PT-100-04	1 CT : 2 CT	20	3.0	4.5	15	1500	4	4
PT-100-05	1 CT : 2.5 CT	22	2.8	6.5	20	1500	1	1
PT-100-06	1 CT : 1 CT	22	2.8	2.8	10	1500	5	6
PT-100-08	1 CT : 1.8 CT	22	2.8	5.5	20	1500	1	1
PT-100-09	1 CT : 2 CT	22	8.0	15.0	30	1500	7	5
PT-100-012	1 CT : 2 CT	22	2.8	5.5	10	2000	9	4
PT-200-01	2.5 : 1	72	8.5	2.0	160	1100	3	3
PT-200-02	2 : 1 CT	25	11.0	3.5	20	1100	6	7
PT-200-03	2 : 1	30	2.3	2.0	200	1100	8	8
PT-200-08	1.6 : 1	13	3.0	3.0	55	2000	6	9

TRANSFORMER CROSS REFERENCE FOR TRANSCEIVER CHIPS

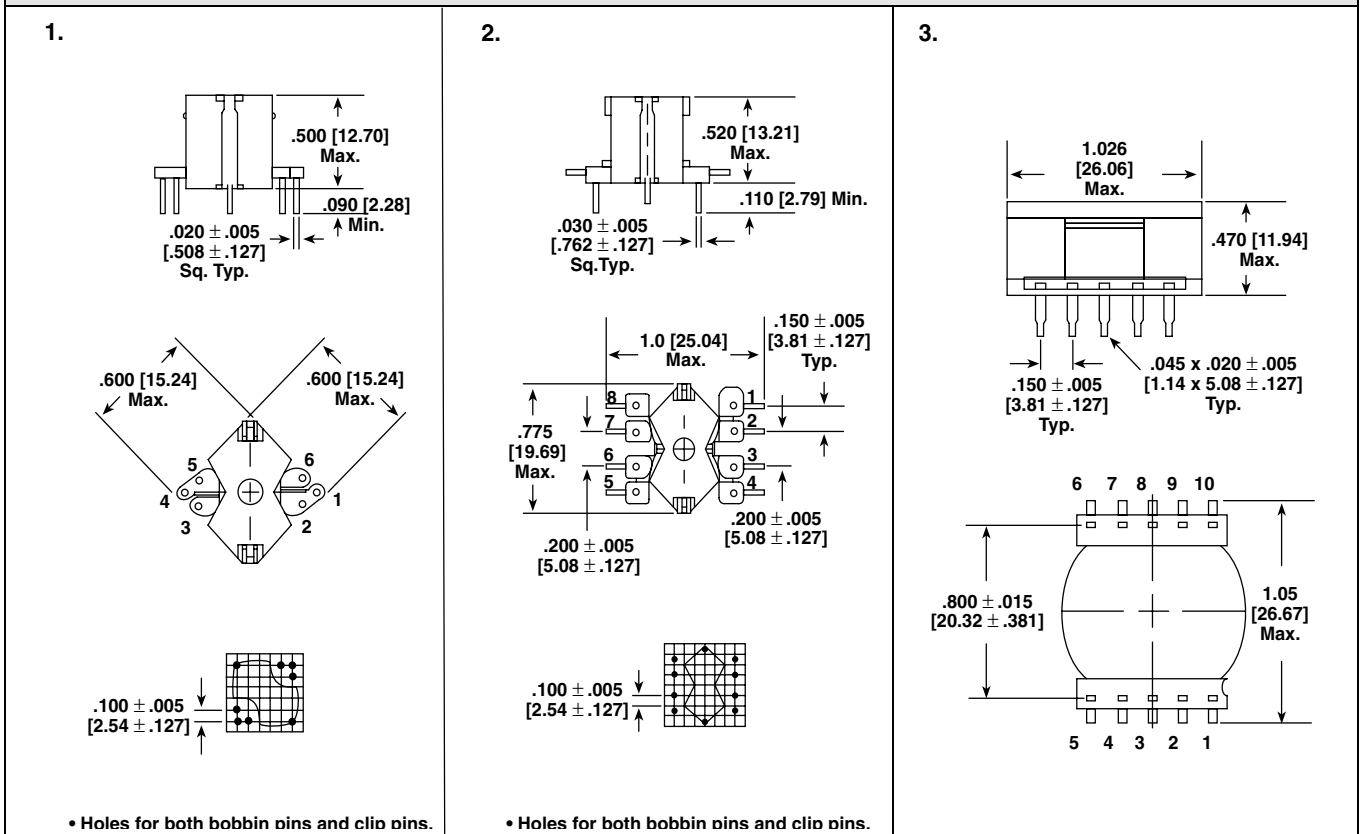
MODEL	TURNS RATIO	IC MANUFACTURER	IC PART NUMBER
PT-100-01	1 CT : 2 CT	SIEMENS	PEB2080/2085/2081
PT-100-02	1 CT : 2 CT	SIEMENS	PEB2080/2085/2081
PT-100-04	1 CT : 2 CT	AMD	79C30A
		MITEL	MT8930
		NATIONAL	TP3420
PT-100-05	1 CT : 2.5 CT	INTEL	29C53
		AT&T	T7250/T7252
PT-100-06	1 CT : 1 CT	MOTOROLA	MC145474
			MC145475
PT-100-08	1 CT : 1.8 CT	INTEL	29C53
PT-100-09	1 CT : 2 CT	SIEMENS	PEB2080/2085
		AMD	79C30A
		MITEL	MT8930
		NATIONAL	TP3420
PT-100-012*	1 CT : 2 CT	SIEMENS	PEB2080/2085/2081
		AMD	79C30A
		MITEL	MT8930
		NATIONAL	TP3420
PT-200-01	2.5 : 1	AT&T	T7262/T7263
PT-200-02	2 : 1 CT	MOTOROLA	MC145472
PT-200-03	2 : 1	MITEL	MT8972
PT-200-08*	1.6 : 1**	SIEMENS	PEB2091

*Hipot voltage will meet international safety standards. **Low profile.

SCHEMATICS

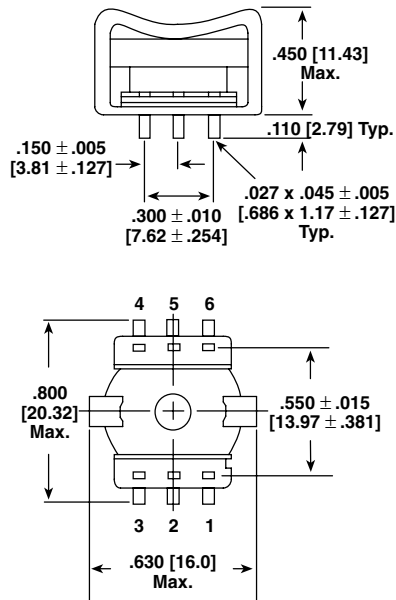


DIMENSIONAL CONFIGURATIONS

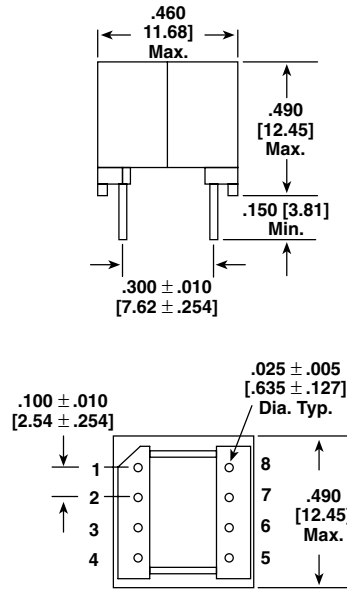


DIMENSIONAL CONFIGURATIONS

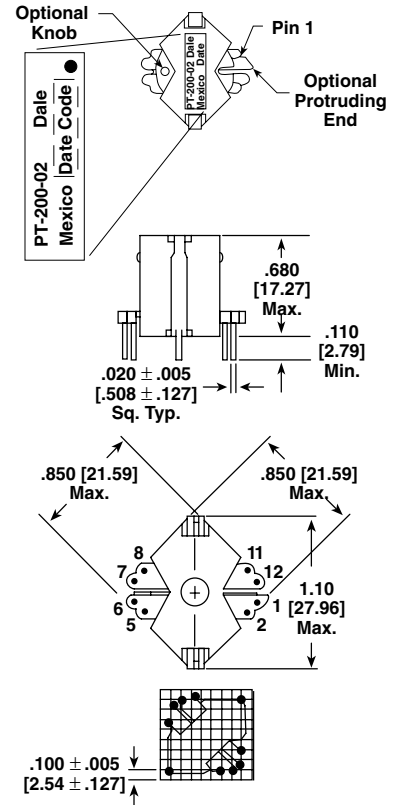
4.



5.

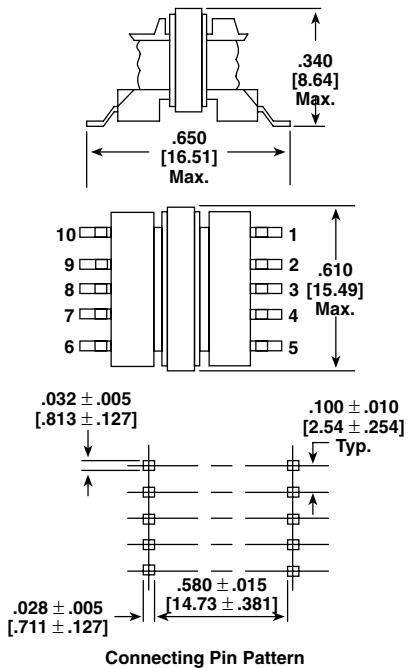


6.

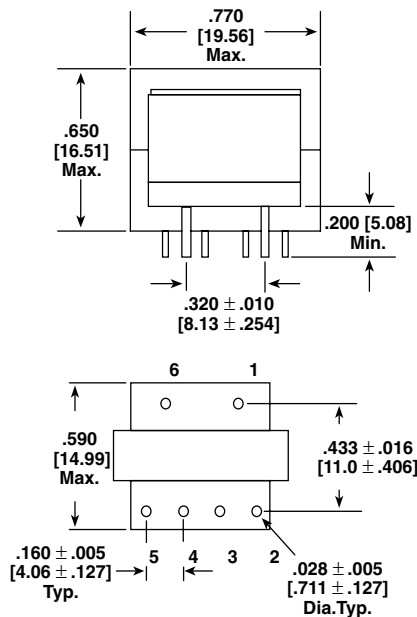


• Holes for both bobbin pins and clip pins.

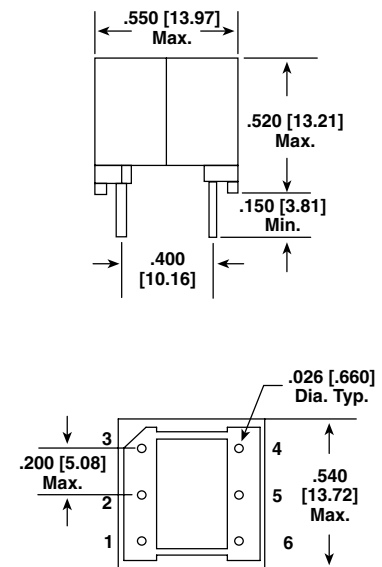
7.



8.



9.





ORDERING INFORMATION

PT
MODEL

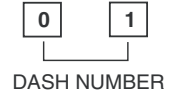
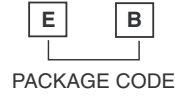
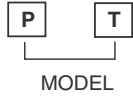
100
STYLE

01
DASH NUMBER

EB
PACKAGE CODE

e2
JEDEC LEAD (Pb)-FREE
STANDARD

GLOBAL PART NUMBER





Notice

Specifications of the products displayed herein are subject to change without notice. Vishay Intertechnology, Inc., or anyone on its behalf, assumes no responsibility or liability for any errors or inaccuracies.

Information contained herein is intended to provide a product description only. No license, express or implied, by estoppel or otherwise, to any intellectual property rights is granted by this document. Except as provided in Vishay's terms and conditions of sale for such products, Vishay assumes no liability whatsoever, and disclaims any express or implied warranty, relating to sale and/or use of Vishay products including liability or warranties relating to fitness for a particular purpose, merchantability, or infringement of any patent, copyright, or other intellectual property right.

The products shown herein are not designed for use in medical, life-saving, or life-sustaining applications. Customers using or selling these products for use in such applications do so at their own risk and agree to fully indemnify Vishay for any damages resulting from such improper use or sale.