



DWM3001C

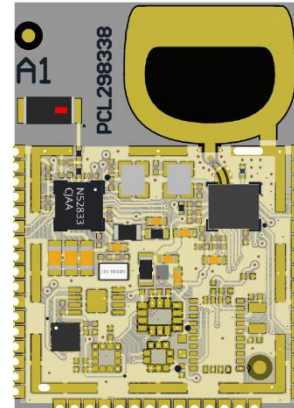
Fully Integrated UWB Transceiver Module

Product Overview

The Qorvo® DWM3001C is a fully integrated UWB transceiver module based on the Qorvo DW3110 IC. Integration of the DW3110 IC, nRF52833 MCU, planar UWB antenna, accelerometer, power management and crystal simplify the design cycle. The RF design is fully validated, tested, and calibrated. Low power consumption allows powering from batteries for extended periods, providing cost-effective implementation of UWB solutions.

The DWM3001C can be used in two-way ranging and TDoA applications.

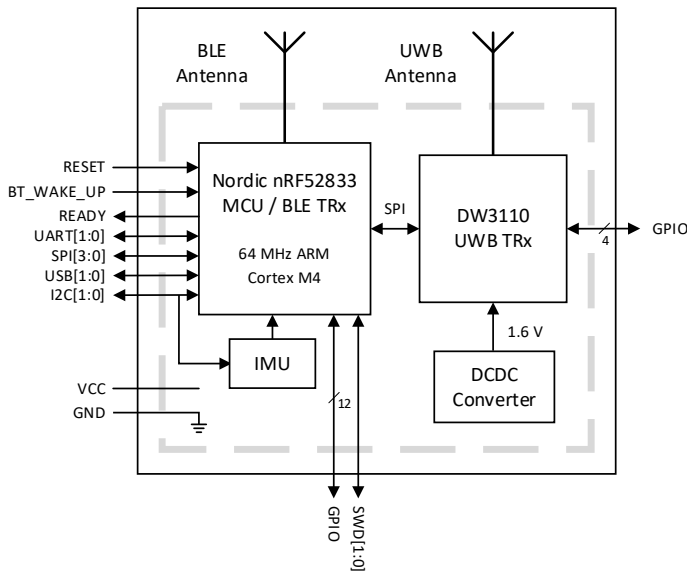
The DWM3001C is designed to be compliant to the FiRa™ PHY and MAC specifications enabling interoperability with other FiRa™ compliant devices.



48 Pin 27.1 x 19.13 mm side castellated package



Functional Block Diagram



Key Features

- IEEE 802.15.4-2015 and IEEE 802.15.4z BPRF compliant
- Fully aligned with FiRa™ PHY, MAC and certification development
- Supports Channels 5 (6.5 GHz) and 9 (8 GHz)
- FCC, SRRC and ETSI certification (*planned*)
- Nordic nRF52833 SoC with BLE transceiver
- Supply voltage VCC: 2.5 V - 3.6 V
- Bluetooth chip antenna
- AES 128/256 Security block
- Fully coherent receiver for maximum range and accuracy
- Power consumption optimized for battery applications
- Data rates of 850 kbps, 6.8 Mbps
- Maximum packet length of 1023 bytes for high data throughput applications
- Integrated MAC support features
- Backward compatible with the DWM1001C module
- Temperature range -40°C to +85°C

Applications

- Precision real time location systems (RTLs) using two-way ranging or TDoA schemes in a variety of markets.
- Location aware wireless sensor networks (WSNs)

Ordering Information

PART NUMBER	DESCRIPTION
DWM3001CSR	Module – 100 pcs reel
DWM3001CTR13	Module – 500 pcs on 13" reel
DWM3001CDKE1.0	Engineering Development kit

Table of Contents

1. Overview	3	7.1 Application Board Layout Guidelines	16
1.1 DWM3001C UWB Transceiver	3	7.2 Note on Ranging Performance in Harsh Multipath Environments	16
1.2 Nordic nRF52833 Processor	3	8. Package Information	17
1.3 ST LIS12DH Accelerometer	3	8.1 Module Drawings	17
1.4 Torex XC9282 DCDC Converter.....	3	8.2 Module Land Pattern.....	17
2. DWM3001C Calibration	4	8.3 Module Marking Information	18
2.1 Crystal Oscillator Trim.....	4	8.4 Module Solder Profile.....	18
2.2 Transmitter Calibration.....	4	9. Tape and Reel Information	19
2.3 Antenna Delay Calibration.....	4	10. Regulatory Information	20
3. DWM3001C Pin Connections	5	10.1 European Union requirements.....	20
3.1 Pin Numbering.....	5	10.1.1 Radio Equipment Directive	20
3.2 Pin Descriptions.....	6	10.1.2 ETSI harmonised standards	21
4. Electrical Specifications	8	10.2 United States (FCC).....	22
4.1 Nominal Operating Conditions.....	8	10.2.1 Radio and Television Interference	22
4.2 DC Characteristics	8	10.3 Innovation, Science and Economic Development Canada (ISED)	23
4.3 Receiver AC Characteristics.....	9	10.4 Regulatory Host Integration Instructions	23
4.4 Reference Clock AC Characteristics	9	10.5 Device Classifications	24
4.4.1 Reference Frequency.....	9	10.6 FCC Definitions	24
4.5 Transmitter AC Characteristics	9	10.7 Simultaneous Transmission Evaluation	24
4.6 Absolute Maximum Ratings.....	10	10.8 Operating Requirements and Conditions	24
5. OTP Memory Map	11	10.9 Miscellaneous.....	24
6. Antenna Performance	13	11. Glossary	25
7. Application Information	16	12. Revision History	26
		13. Further Information	26

List of Figures

Figure 1: DWM3001C Pin Diagram	5	Figure 6: Module Marking	18
Figure 2: Antenna Radiation Planes	13	Figure 7: DWM3001C Module Solder Profile	18
Figure 3: Board Layout	16	Figure 8: Tape and Reel Dimensions	19
Figure 4: Module Package Size (mm)	17	Figure 9: Tape Dimensions	19
Figure 5: Module Land Pattern (mm)	17		

List of Tables

Table 1: DWM3001C Calibrated Items	4	Table 9: DWM3001C Absolute Maximum Ratings	10
Table 2: DWM3001C Pin Functions	6	Table 10: DWM3001C OTP map	11
Table 3: Explanation of Abbreviations	7	Table 11: Antenna characteristics	13
Table 4: DWM3001C Operating Conditions	8	Table 12: Channel 5.....	14
Table 5: DWM3001C DC Characteristics	8	Table 13: Channel 9.....	15
Table 6: DWM3001C Receiver AC Characteristics	9	Table 14: UWB RF Settings	20
Table 7: Reference Clock AC Characteristics	9	Table 15: ETSI Standards.....	21
Table 8: DWM3001C Transmitter AC Characteristics	9	Table 16: Glossary of Terms.....	25



DWM3001C

Fully Integrated UWB Transceiver Module

1. Overview

The DWM3001C is a module that includes the DW3110 UWB transceiver, Nordic nRF52833 MCU with BLE, ST LIS2DH12 accelerometer and peripheral components. It is factory calibrated, FiRa™ compliant and certified to FCC, ETSI and IC regulations.

The following sections describe the main functional blocks within the DWM3001C. See the functional block diagram on Page 1 for reference.

1.1 DWM3001C UWB Transceiver

The DW3110 on-board the DWM3001C is a fully integrated low-power, single chip CMOS RF transceiver IC. The DWM3001C module requires no RF design as the antenna and associated analog and RF components are on the module.

The module contains an on-board 38.4 MHz reference crystal. The crystal has been trimmed in production to reduce the initial frequency error to approximately 2 ppm, using the DW3110 IC's internal on-chip crystal trimming circuit.

Always-On (AON) memory can be used to retain DWM3001C configuration data during the lowest power operational states when the on-chip voltage regulators are disabled. This data is uploaded and downloaded automatically. Use of DWM3001C AON memory is configurable.

The on-chip voltage and temperature monitors allow the host to read the voltage on the VDD1 pin and the internal die temperature information from the DW3110.

See the DW3000 datasheet for more detailed information on device functionality, electrical specifications, and typical performance.

1.2 Nordic nRF52833 Processor

The Nordic RF52833 is an ARM® Cortex®-M4 32-bit processor with 64 MHz clock speed that also integrates a BLE radio transceiver operating in the 2.4 GHz band. It has advanced on-chip interfaces, such as USB 2.0 full speed (12 Mbps), high-speed 32 MHz SPI and type 2 near field communication (NFC-A).

1.3 ST LIS12DH Accelerometer

The LIS12DH from ST Microelectronics is a low power three-axis linear accelerometer with I²C digital output. RTLS tags commonly use accelerometers to initiate UWB ranging only when a tag moves so that battery life can be extended by staying in the lowest power mode by default.

1.4 Torex XC9282 DCDC Converter

The Torex XC9282 buck converter IC is chosen to provide the DW3000 1.6 V supply from the VDD module voltage supplied externally.

2. DWM3001C Calibration

Depending on the end-use applications and the system design, DWM3001C settings may need to be tuned. To help with this tuning a number of built-in functions such as continuous wave TX and continuous frame transmission can be enabled. See the DW3000 User Manual for further details.

An overview of factory calibrated items is shown in the table below:

Table 1: DWM3001C Calibrated Items

DW3000 Calibration Item	Calibrated on DWM3001C
Crystal	✓
Transmit Power	✓
Antenna Delay	✓

2.1 Crystal Oscillator Trim

DWM3001C modules are calibrated at production at room temperature to minimise initial frequency error to reduce carrier frequency offset between modules and thus improve receiver sensitivity. The calibration carried out at module production will trim the initial frequency offset to less than 2 ppm, typically.

2.2 Transmitter Calibration

To maximize range, DWM3001C transmit power spectral density (PSD) should be set to the maximum allowable for the geographic region in which it will be used. For most regions this is -41.3 dBm/MHz.

As the module contains an integrated antenna, the transmit power can only be measured over the air. The Effective Isotropic Radiated Power (EIRP) must be measured, and the power level adjusted to ensure compliance with applicable regulations.

The DWM3001C provides the facility to adjust the transmit power in coarse and fine steps; 2 dB and 0.5 dB nominally. It also provides the ability to adjust the spectral bandwidth. These adjustments can be used to maximize transmit power whilst meeting regulatory spectral mask.

2.3 Antenna Delay Calibration

To measure range accurately, precise calculation of timestamps is required. To do this the antenna delay must be known. The DWM3001C allows this delay to be calibrated and provides the facility to compensate for delays introduced by PCB, external components, antenna and internal DWM3001C delays.

To calibrate the antenna delay, range is measured at a known distance using two DWM3001C systems. Antenna delay is adjusted until the known distance and reported range agree. The antenna delay can be stored in OTP memory.*

***Note: For Engineering Samples DWM3001C.E1.0SR, DWM3001C.E1.0SQ, DWM3001C.E1.0SB and DWM3001CDKE1.0: do not use the Channel 5 Antenna Delay in OTP – use default value 16390.**



3.2 Pin Descriptions

Table 2: DWM3001C Pin Functions

Signal Name	Pin	I/O (Default)	Description	IC Pin Reference
Digital Interface				
SWD_CLK	2	DI	Serial wire debug clock input for debug and programming of nRF52833 processor.	[N] SWDCLK
SWD_DIO	3	DIO	Serial wire debug I/O for debug and programming of nRF52833 processor.	[N] SWDIO
P0.10 (NFC2)	4	Mixed	General purpose I/O for nRF52833 processor. NFC antenna connection.	[N] P0.10
P0.09 (NFC1)	5	Mixed	General purpose I/O for nRF52833 processor. NFC antenna connection.	[N] P0.09
P0.17	6	DIO	General purpose I/O for nRF52833 processor.	[N] P0.17
P0.14	7	DIO	General purpose I/O for nRF52833 processor.	[N] P0.14
P0.22	8	DIO	General purpose I/O for nRF52833 processor.	[N] P0.22
P0.05	9	DIO	General purpose I/O for nRF52833 processor.	[N] P0.05
P0.04	10	DIO	General purpose I/O for nRF52833 processor.	[N] P0.04
P0.12	13	DIO	General purpose I/O for nRF52833 processor.	[N] P0.12
I2C0_SDA	14	DIO	I2C data signal of nRF52833 processor and LIS12DH accelerometer.	[N] P0.24
I2C0_SCL	15	DIO	I2C clock signal of nRF52833 processor and LIS12DH accelerometer.	[N] P1.04
P0.21	16	DIO	General purpose I/O for nRF52833 processor.	[N] P0.21
P0.20	17	DIO	General purpose I/O for nRF52833 processor.	[N] P0.20
USB_N	19	DIO	USB D- I/O for nRF52833 processor.	[N] D-
USB_P	20	DIO	USB D+ I/O for nRF52833 processor.	[N] D+
P0.11	22	DIO	General purpose I/O for nRF52833 processor.	[N] P0.11
P1.08	23	DIO	General purpose I/O for nRF52833 processor.	[N] P1.08
P0.06	24	DIO	General purpose I/O for nRF52833 processor.	[N] P0.06
P1.01	25	DIO	General purpose I/O for nRF52833 processor.	[N] P1.01
P0.13	26	DIO	General purpose I/O for nRF52833 processor.	[N] P0.13
P1.09	27	DIO	General purpose I/O for nRF52833 processor.	[N] P1.09
P1.00	28	DIO	General purpose I/O for nRF52833 processor.	[N] P1.00
P1.05	29	DIO	General purpose I/O for nRF52833 processor.	[N] P1.05
DW_GP5	30	DIO	General purpose I/O for DW3110 transceiver.	[D] GPIO5
DW_GP6	31	DIO	General purpose I/O for DW3110 transceiver.	[D] GPIO6
P0.15	32	DIO	General purpose I/O for nRF52833 processor.	[N] P0.15
P0.28	33	DIO	General purpose I/O for nRF52833 processor.	[N] P0.28
P0.19	34	DIO	General purpose I/O for nRF52833 processor.	[N] P0.19
DW_GP1	35	DIO	General purpose I/O for DW3110 transceiver.	[D] GPIO1
DW_GP0	36	DIO	General purpose I/O for DW3110 transceiver.	[D] GPIO0
P0.26	37	DIO	General purpose I/O for nRF52833 processor.	[N] P0.26
P0.23	39	DIO	General purpose I/O for nRF52833 processor.	[N] P0.23



Signal Name	Pin	I/O (Default)	Description	IC Pin Reference
P0.07	40	DIO	General purpose I/O for nRF52833 processor.	[N] P0.07
P0.27	41	DIO	General purpose I/O for nRF52833 processor.	[N] P0.27
P0.31	42	DIO	General purpose I/O for nRF52833 processor.	[N] P0.31
P0.30	43	DIO	General purpose I/O for nRF52833 processor.	[N] P0.30
DW_GPIO3	44	DIO	General purpose I/O for DW3110 transceiver.	[D] GPIO3
DW_GPIO2	45	DIO	General purpose I/O for DW3110 transceiver.	[D] GPIO2
P0.02	46	DIO	General purpose I/O for nRF52833 processor.	[N] P0.02
RESET (P0.18)	47	DIO	General purpose I/O for nRF52833 processor. Active-low reset input.	[N] nRESET
Power Supplies				
VDD	12	P	3 V supply pin.	
Ground				
GND	1, 11, 21, 38, 48	G	Common ground.	

Table 3: Explanation of Abbreviations

Abbreviation	Explanation
I	Input
IO	Input / Output
O	Output
G	Ground
P	Power Supply
PD	Power Decoupling
O-L	Defaults to output, low level after reset
O-H	Defaults to output, high level after reset
I	Defaults to input.

Note: Any signal with the suffix 'n' indicates an active low signal.

4. Electrical Specifications

4.1 Nominal Operating Conditions

Table 4: DWM3001C Operating Conditions

Parameter	Min.	Typ.	Max.	Units	Condition / Note
Operating temperature	-40		+85	°C	
Supply voltage VDD	2.5		3.6	V	
Voltage on digital pins			3.6	V	

Note: Unit operation is guaranteed by design when operating within these ranges

4.2 DC Characteristics

T_{amb} = 25 °C, all supplies centered on typical values

Table 5: DWM3001C DC Characteristics

Parameter	Min.	Typ.	Max.	Units	Condition / Note
Supply current SLEEP mode		850		nA	
Supply current CH5 IDLE mode		18		mA	
Supply current CH9 IDLE mode		32		mA	
Supply current CH5 INIT mode		6		mA	
Supply current CH9 INIT mode		6		mA	
CH5 TX: VDD		40		mA	Continuous frame transmission
CH9 TX: VDD		45		mA	Continuous frame transmission
CH5 RX: VDD		40		mA	Receiver active, no frames received
CH9 RX: VDD		45		mA	Receiver active, no frames received
Digital input voltage high	0.7*VDD1			V	
Digital input voltage low			0.3*VDD1	V	
Digital output voltage high	0.7*VDD1			V	Assumes 500 Ω load
Digital output voltage low			0.3*VDD1	V	Assumes 500 Ω load
Digital Output Drive Current GPIOx, IRQ			0.8	mA	
Digital Output Drive Current SPIMISO	8	10		mA	
Digital Output Drive Current EXTON	3	4		mA	

4.3 Receiver AC Characteristics

T_{amb} = 25 °C, all supplies centered on nominal values

Table 6: DWM3001C Receiver AC Characteristics

Parameter	Min.	Typ.	Max.	Units	Condition / Note
Centre Frequency CH5		6489.6		MHz	
Centre Frequency CH9		7987.2			
Channel bandwidth		500			Channel 5 and 9

4.4 Reference Clock AC Characteristics

T_{amb} = 25 °C, all supplies centered on typical values

4.4.1 Reference Frequency

Table 7: Reference Clock AC Characteristics

Parameter	Min.	Typ.	Max.	Units	Condition / Note
On-board crystal oscillator reference frequency		38.4		MHz	
On-board crystal aging		±1		ppm in 1 st year	

4.5 Transmitter AC Characteristics

T_{amb} = 25 °C, all supplies centered on typical values

Table 8: DWM3001C Transmitter AC Characteristics

Parameter	Min.	Typ.	Max.	Units	Condition / Note
Frequency range	6250		8250	MHz	
Channel bandwidths		500		MHz	Channel 5 and 9



DWM3001C

Fully Integrated UWB Transceiver Module

4.6 Absolute Maximum Ratings

Table 9: DWM3001C Absolute Maximum Ratings

Parameter	Min.	Max.	Units
Voltage, VDD	-0.3	4.0	V
Receiver Power		14	dBm
Temperature - Storage temperature	-40	+125	°C
Temperature - Operating temperature	-40	+85	°C

Stresses beyond those listed in this table may cause permanent damage to the device. This is a stress rating only; functional operation of the device at these or any other conditions beyond those indicated in the operating conditions of the specification is not implied. Exposure to the absolute maximum rating conditions for extended periods may affect device reliability.



5. OTP Memory Map

The DW3000 transceiver has one-time programmable (OTP) memory storage. See the DW3000 User Manual for more details. The OTP memory map for the DWM3001C module is shown in Table 10. Calibrated items from the final module production test stage are highlighted.

OTP Item	Cell Colour
Calibrated and written to OTP	
Read back from DW3110 and written in OTP	
Fixed value written to OTP	

Table 10: DWM3001C OTP map

OTP Address	Size (Used Bytes)	Byte_3	Byte_2	Byte_1	Byte_0	Programmed by
0x000	4	64-bit EUID				Customer
0x001	4					
0x002	4	Alternative 64-bit EUID				Customer
0x003	4	(Selected via reg/SR register)				
0x004	4	LDO Tune				IC Prod. Test
0x005	4					
0x006	4	{"0001,0000,0001", "CHIP ID 5 nibbles (20 bits)"}				IC Prod. Test
0x007	4	{"0001", "LOT ID – 7 nibbles (28 bits)"}				IC Prod. Test
0x008	3		VBAT@3.0V	VBAT@3.62V	VBAT@1.62V	IC Prod. Test
0x009	1				Temp @ 22±2°C	IC Prod. Test
0x00A	4	Bias Tune				IC Prod. Test
0x00B	4	Antenna Delay - Rx RF Loop		Antenna Delay - Tx RF Loop		IC Prod. Test
0x00C	4	PD0A Iso. Ch9	PD0A Iso. Ch9	PD0A Iso. Ch5	PD0A Iso. Ch5	IC Prod. Test
		RF2 → RF1	RF1 → RF2	RF2 → RF1	RF1 → RF2	
0x00D	4	W.S. Lot ID [3]	W.S. Lot ID [2]	W.S. Lot ID [1]	W.S. Lot ID [0]	IC Prod. Test
0x00E	2			W.S. Lot ID [5]	W.S. Lot ID [4]	IC Prod. Test
0x00F	3		W.S. Wafer #	W.S. Y Loc	W.S. X Loc	IC Prod. Test
0x010	4	Ch5 Tx Power Level - PRF16				Customer
0x011	4	Ch5 Tx Power Level - PRF64				Module Prod. Test
0x012	4	Ch9 Tx Power Level - PRF16				Customer
0x013	4	Ch9 Tx Power Level - PRF64				Module Prod. Test
0x014	4					Customer
0x015	4					Customer
0x016	4					Customer
0x017	4					Customer
0x018	4	Ch5_PGCNT		Ch9_PGCNT		Module Prod. Test
0x019	4					Customer
0x01A	4	CH5 Rx Antenna Delay - PRF64		CH5 Tx Antenna Delay - PRF64		Module Prod. Test
0x01B	4	CH5 Rx Antenna Delay - PRF16		CH5 Tx Antenna Delay - PRF16		Customer



DWM3001C

Fully Integrated UWB Transceiver Module

0x01C	4	CH9 Rx Antenna Delay - PRF64	CH9 Tx Antenna Delay - PRF64	Module Prod. Test	
0x01D	4	CH9 Rx Antenna Delay - PRF16	CH9 Tx Antenna Delay - PRF16	Customer	
0x01E	1	Frame Duration - us		Xtal_Trim [6:0]	Module Prod. Test
0x01F	1	Platform ID	Cal Rev	OTP Rev.	Module Prod. Test
0x020	4	Rx_Tune_Cal: DGS_CFG0			IC Prod. Test
0x021	4	Rx_Tune_Cal: DGS_CFG1			IC Prod. Test
0x022	4	Rx_Tune_Cal: DGS_CFG2			IC Prod. Test
0x023	4	Rx_Tune_Cal: DGS_CFG3			IC Prod. Test
0x024	4	Rx_Tune_Cal: DGS_CFG4			IC Prod. Test
0x025	4	Rx_Tune_Cal: DGS_CFG5			IC Prod. Test
0x026	4	Rx_Tune_Cal: DGS_CFG6			IC Prod. Test
0x027	4	Rx_Tune_Cal: DGC_LUT_0 - CH5			IC Prod. Test
0x028	4	Rx_Tune_Cal: DGC_LUT_1 - CH5			IC Prod. Test
0x029	4	Rx_Tune_Cal: DGC_LUT_2 - CH5			IC Prod. Test
0x02A	4	Rx_Tune_Cal: DGC_LUT_3 - CH5			IC Prod. Test
0x02B	4	Rx_Tune_Cal: DGC_LUT_4 - CH5			IC Prod. Test
0x02C	4	Rx_Tune_Cal: DGC_LUT_5 - CH5			IC Prod. Test
0x02D	4	Rx_Tune_Cal: DGC_LUT_6 - CH5			IC Prod. Test
0x02E	4	Rx_Tune_Cal: DGC_LUT_0 - CH9			IC Prod. Test
0x02F	4	Rx_Tune_Cal: DGC_LUT_1 - CH9			IC Prod. Test
0x030	4	Rx_Tune_Cal: DGC_LUT_2 - CH9			IC Prod. Test
0x031	4	Rx_Tune_Cal: DGC_LUT_3 - CH9			IC Prod. Test
0x032	4	Rx_Tune_Cal: DGC_LUT_4 - CH9			IC Prod. Test
0x033	4	Rx_Tune_Cal: DGC_LUT_5 - CH9			IC Prod. Test
0x034	4	Rx_Tune_Cal: DGC_LUT_6 - CH9			IC Prod. Test
0x035	4	PLL_Lock_Code			IC Prod. Test
0x036 - 0x05F	4	Unallocated			Customer
0x060	4	QSR Register (Special function register)			Reserved
0x061	1			Q_RR Register	Reserved
0x062 - 0x077	4	Unallocated			Customer
0x078	4	AES_Key [127:96] (Big endian order)			Customer
0x079	4	AES_Key [95:64] (Big endian order)			Customer
0x07A	4	AES_Key [63:32] (Big endian order)			Customer
0x07B	4	AES_Key [31:0] (Big endian order)			Customer
0x07C	4	AES_Key [255:224] (Big endian order)			Customer
0x07D	4	AES_Key [223:192] (Big endian order)			Customer
0x07E	4	AES_Key [191:160] (Big endian order)			Customer
0x07F	4	AES_Key [159:128] (Big endian order)			Customer

6. Antenna Performance

This section details antenna radiation patterns for the DWM3001CDKE1.0 Design Kit board. Figure 2 presents a view of the measurement planes considered in this document.

Table 12 and Table 13 show antenna radiation patterns for the DWM3001C module mounted on the DWM3001CDKE1.0 carrier board at Channels 5 and 9 respectively. Three planes in the spherical space about the center of the board are measured, with V and H plots representing perpendicular vertical and horizontal components.

The DWM3001C antenna is vertically polarized, meaning that the module is intended to be positioned vertically upright when used in an RTLS system. An omnidirectional radiation pattern is seen in the XZ plane when observed by another antenna which is also vertically polarized. This is shown in the XZ plane antenna patterns, where the vertically polarized plot (V) has a circular, or omnidirectional shape.

If the antennas are oriented perpendicular relative to each other, then the polarization changes. In this case, the horizontally polarized pattern (H) applies and there are nulls at certain angles which can limit range and introduce location inaccuracy. Table 11 presents the key characteristics of the DWM3001C's antenna.

Table 11: Antenna characteristics

Antenna Model	WB007 Dual-Hoe
Antenna Type	PCB Trace Monopole Antenna
Peak Gain (Measured on DWM3001CDK)	Ch5: 2.5dBi Ch9: 2.0dBi
Frequency Range	4000 – 9000MHz

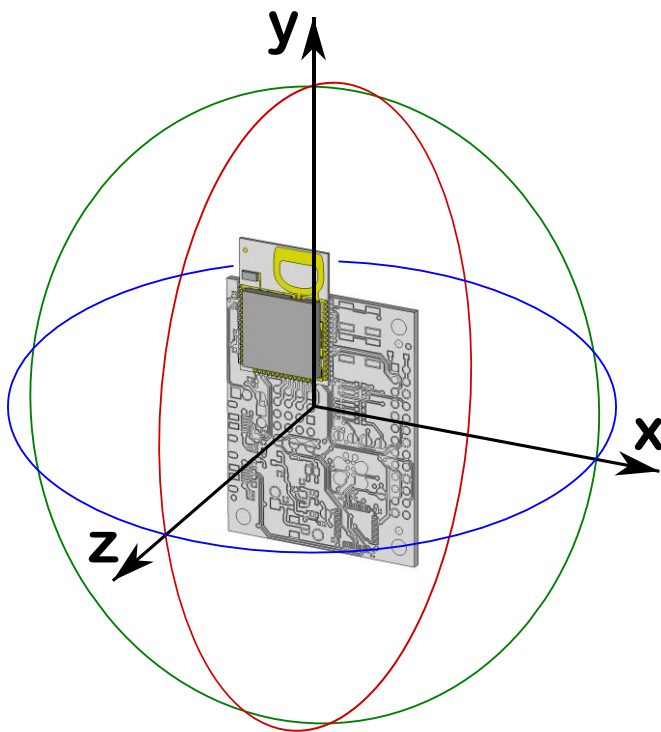


Figure 2: Antenna Radiation Planes

Table 12: Channel 5

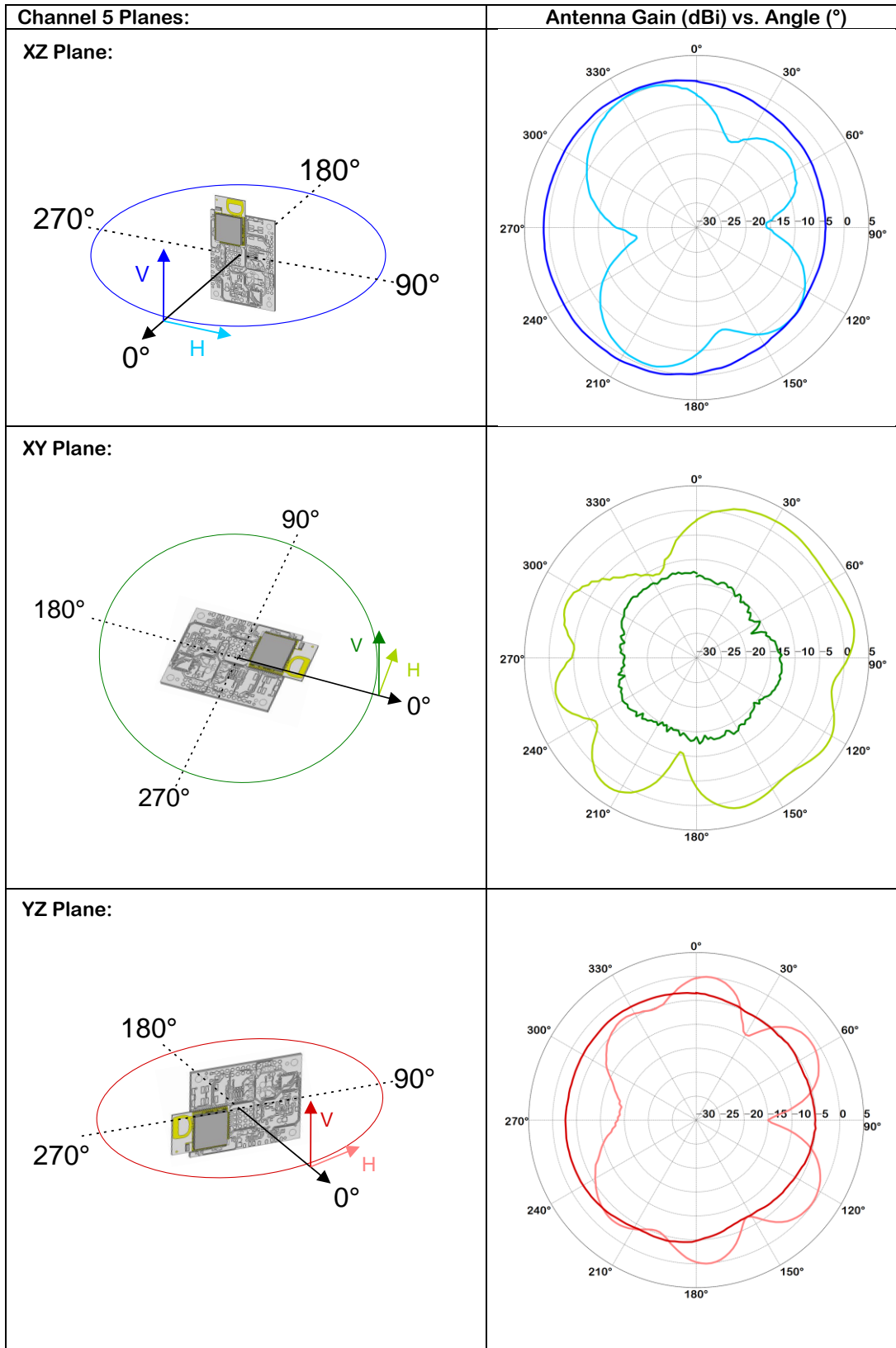
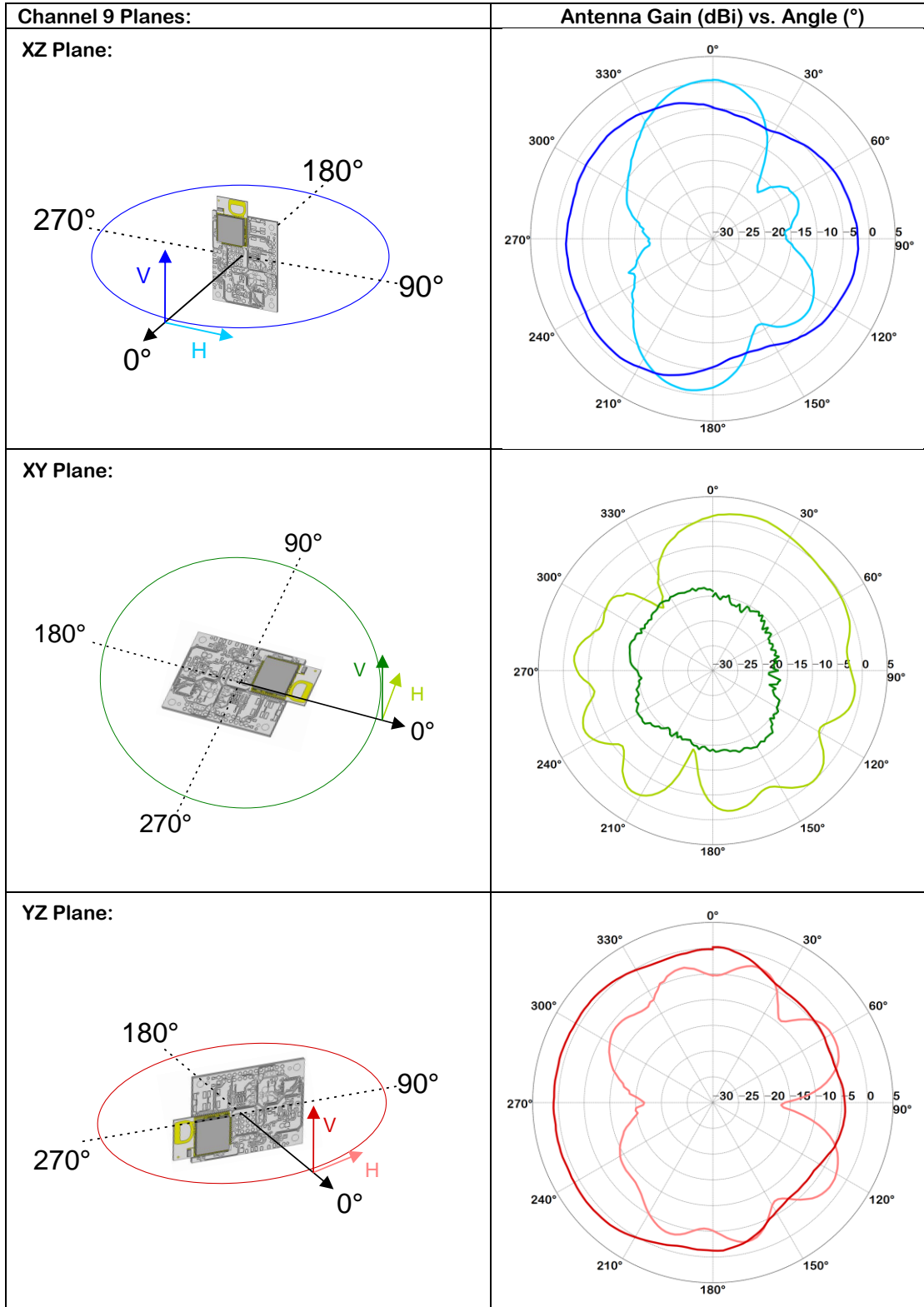


Table 13: Channel 9



7. Application Information

7.1 Application Board Layout Guidelines

When designing the PCB onto which the DWM3001C will be soldered, the proximity of the DWM3001C on-board antenna to metal and other non-RF transparent materials needs to be considered carefully. Two suggested placement schemes are shown below.

For best RF performance, ground copper should be flooded in all areas of the application board, except in the areas marked “Keep-Out Area”, where there should be no metal either side, above or below (e.g. do not place battery under antenna).

The two placement schemes below show an application board with no metallic material in the keep-out area. The diagram on the right is an application board with the antenna projecting off of the board so that the keep out area is in free space. The diagram on the left shows an application board which does not have the module in free space but has the PCB copper removed on either side (and behind) the module antenna. (Note: the rectangular area above the shield on the module is the antenna area)

It is also important to note that the ground plane on the application board affects the antenna radiation pattern. There must be a minimum spacing of 10 mm (d) without metal either side of the module antenna.

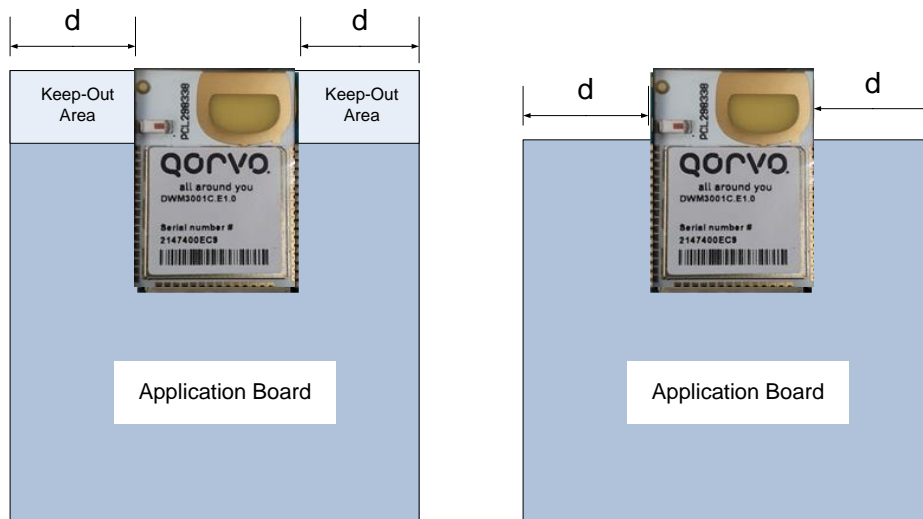


Figure 3: Board Layout

7.2 Note on Ranging Performance in Harsh Multipath Environments

As can be seen from the radiation patterns in Table 12 and Table 13, the DWM3001C antenna is cross polarized in some regions, i.e. the horizontally polarized gain is roughly equal to the vertically polarized gain. This is of benefit in maintaining a high link budget as the orientation of the module changes.

It can be found, however, that this polarization diversity can lead to variation in ranging accuracy as tags move in harsh multipath environments, such as where there are many reflections in confined indoor spaces, e.g. narrow corridors. In these applications, it is suggested to optimize the placement of the module on the carrier PCB. Avoid placing the module too close, i.e. less than 1 cm, to the edge of the PCB. This has the effect of reducing the horizontally polarized radiation component and improving resilience to multipath fading.

8. Package Information

8.1 Module Drawings

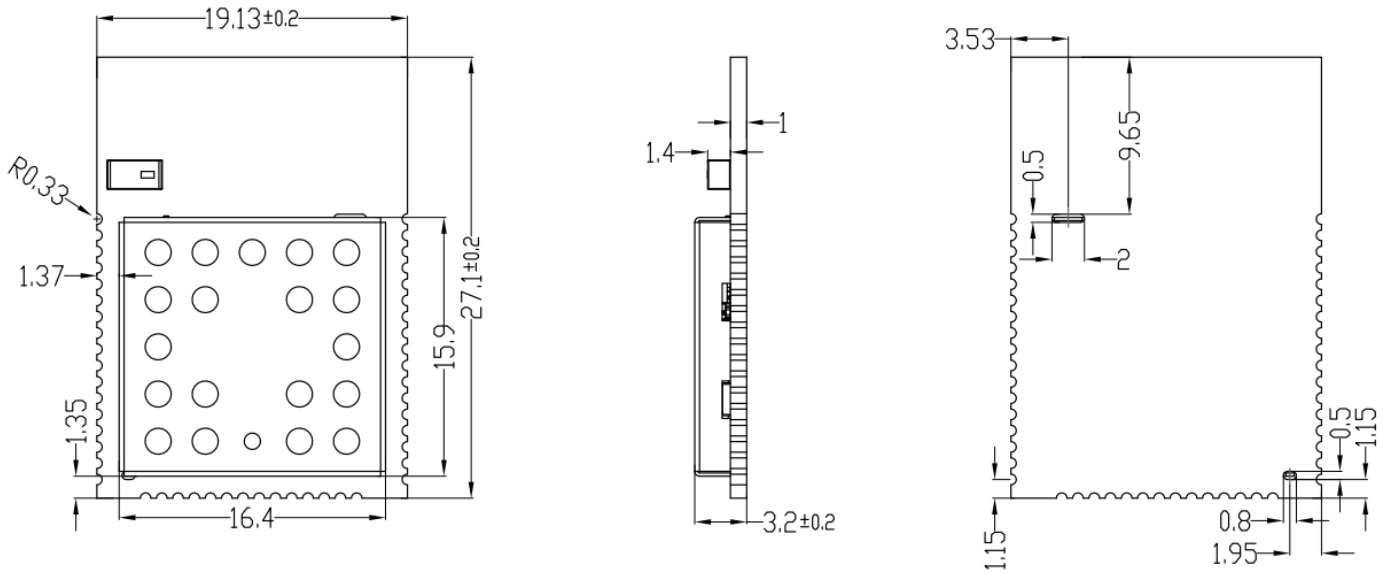


Figure 4: Module Package Size (mm)

8.2 Module Land Pattern

The diagram below shows the DWM3001C module land pattern.

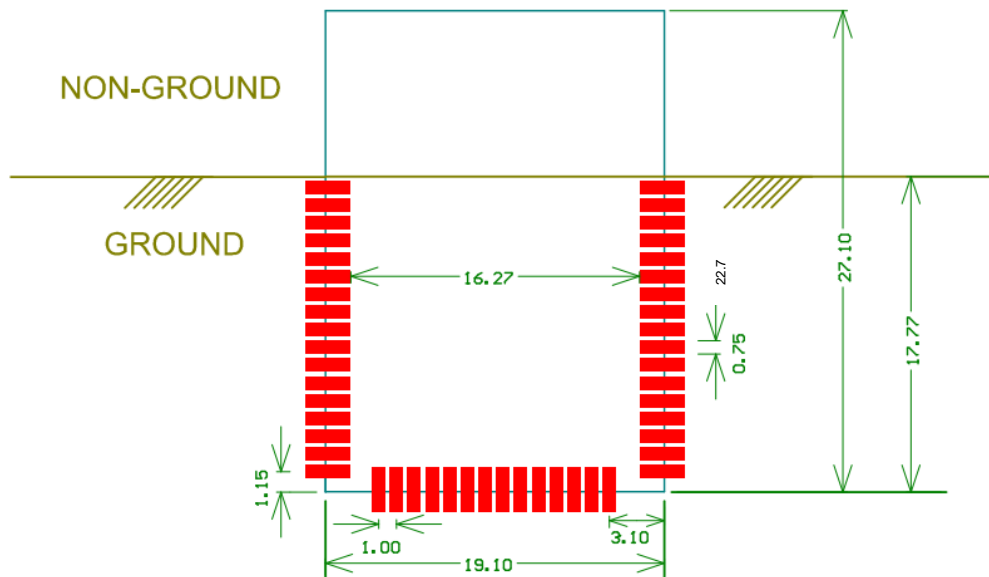


Figure 5: Module Land Pattern (mm)

8.3 Module Marking Information

Each module has a label on the shield with a serial number in the following format:

YY WW 4 SSSSS

Where:

YY	indicates the year
WW	indicates the week of the year
4	indicates the DWM3001C module
SSSSS	indicates the module manufacturing number

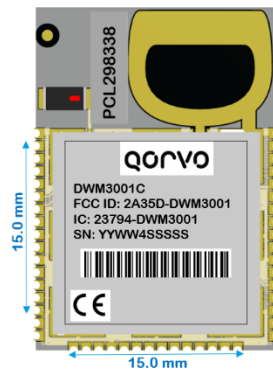


Figure 6: Module Marking

8.4 Module Solder Profile

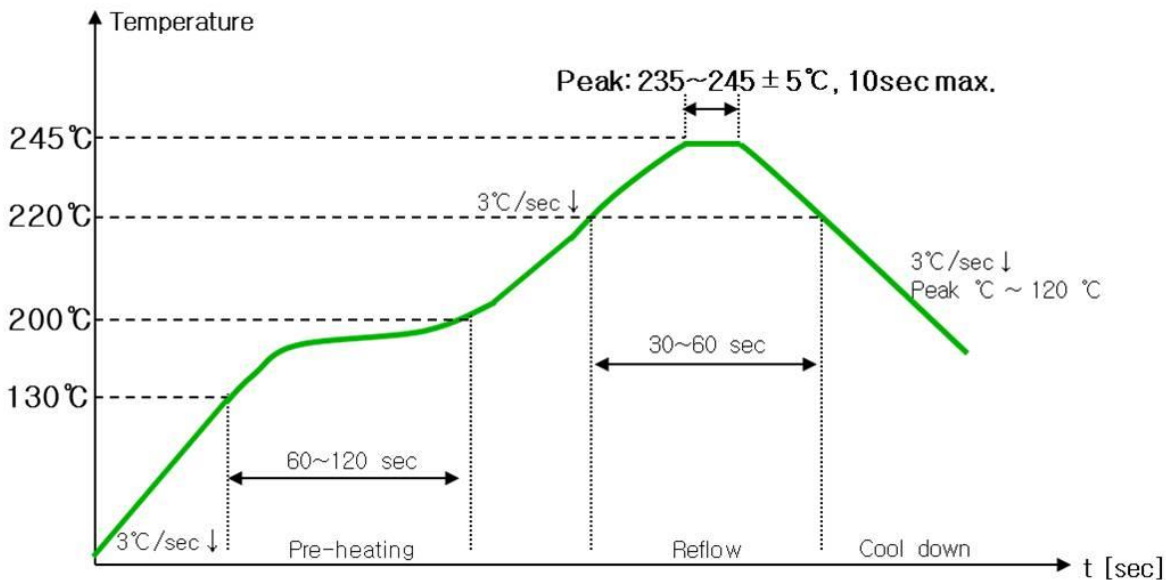


Figure 7: DWM3001C Module Solder Profile

9. Tape and Reel Information

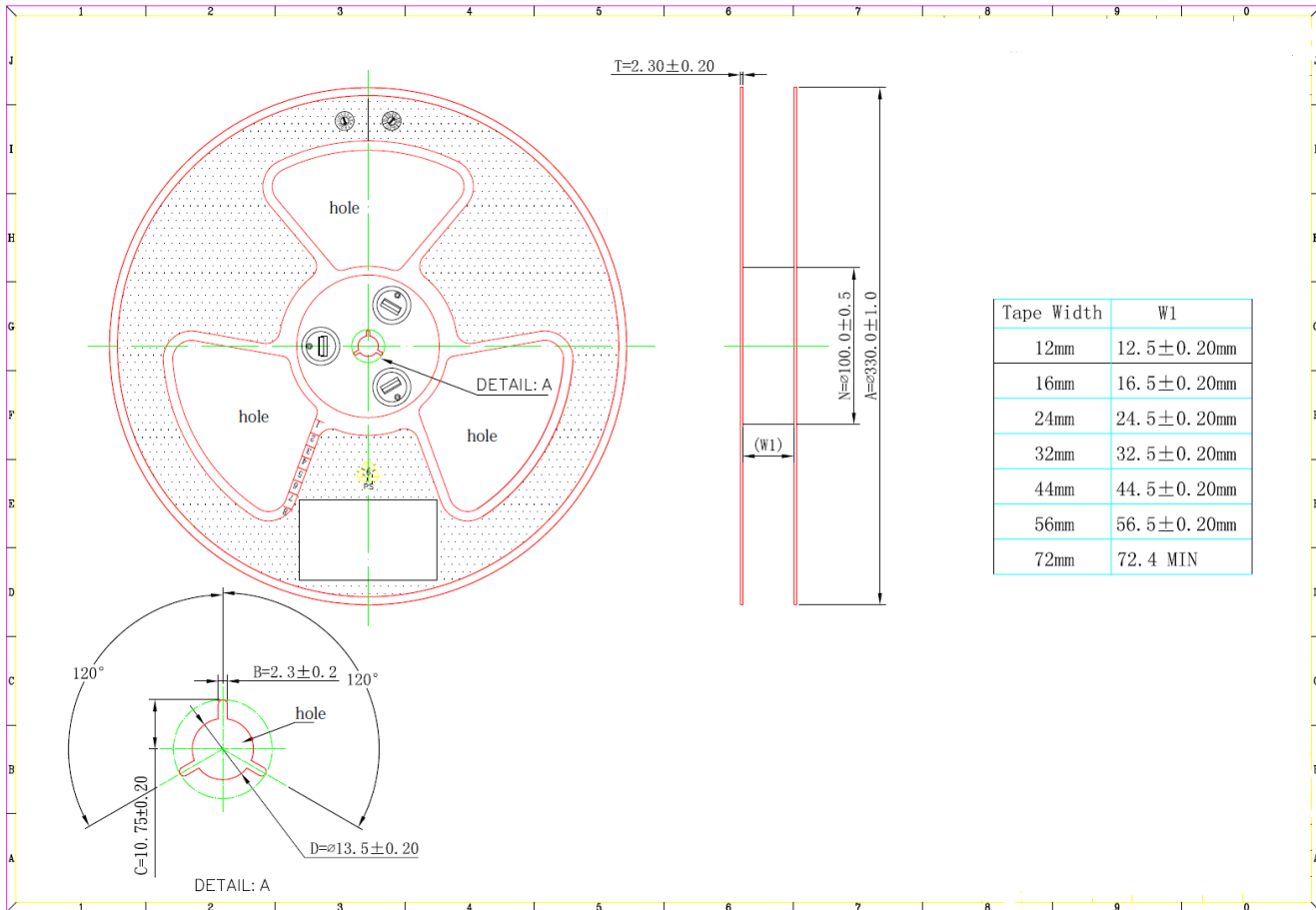


Figure 8: Tape and Reel Dimensions

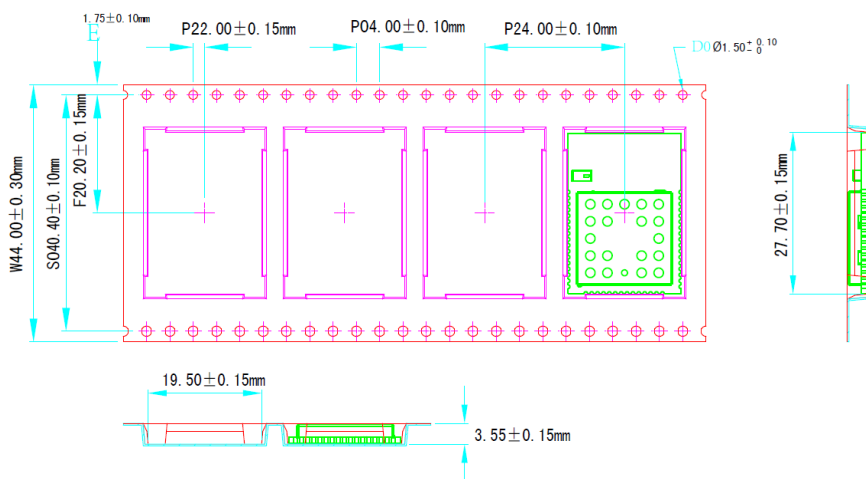


Figure 9: Tape Dimensions

10. Regulatory Information

The information below is valid for the DWM3001C module only.

US FCC ID: 2A35D-DWM3001, Canada ISED/IC: 23794-DWM3001

FCC and ETSI Test reports available to download at: <https://www.qorvo.com/products/p/DWM3001C>

DWM3001C certification approval is valid only for the following UWB RF settings:

Table 14: UWB RF Settings

UWB Parameters	Description	Notes
UWB Channel	Channel 5 (6.5 GHz)	Fixed
UWB Channel	Channel 9 (8 GHz)	Fixed
Data Rate	6.81 Mbps	Fixed
PRF	64 MHz	Fixed
Preamble Length	64	Fixed
Preamble Code	9	Fixed
PHR	850	Fixed

10.1 European Union requirements

10.1.1 Radio Equipment Directive

The DWM3001C Module has been certified for use in European Union countries. A copy of the EU Declaration of Conformity is available for download on our website.

If these modules are incorporated into a product, the manufacturer must ensure continuing compliance of the final product to the Radio Equipment Directive 2014/53/EU. The manufacturer must then draw up a new written EU Declaration of Conformity as per RED Article 18.

Furthermore, the manufacturer must ensure the final product does not exceed the specified power ratings, antenna specifications, and/or installation requirements as specified in this document. If any of these specifications are exceeded in the final product, the manufacturer must assess whether additional compliance testing is required.

IMPORTANT: The “CE” marking must be in compliance with the RED Article 19. It must be affixed to a visible location on the OEM product. The CE mark shall have a height of at least 5mm except where this is not possible on account of the nature of the apparatus. The CE marking must be affixed visibly, legibly, and indelibly.



10.1.2 ETSI harmonised standards

The DWM3001C module conforms with the requirements of the following ETSI standards:

Table 15: ETSI Standards

RED reference	Standard No	Title	Edition / Date
Article 3.1a	EN 62479	Assessment of the compliance of low-power electronic and electrical equipment with the basic restrictions related to human exposure to electromagnetic fields (10 MHz to 300 GHz)	2010
Article 3.1b	EN 301 489-1	ElectroMagnetic Compatibility (EMC) standard for radio equipment and services; Part 1: Common technical requirements; Harmonised Standard for ElectroMagnetic Compatibility	2019-11 V2.2.3
Article 3.1b (for BLE)	EN 301 489-17	ElectroMagnetic Compatibility (EMC) standard for radio equipment and services; Part 17: Specific conditions for Broadband Data Transmission Systems; Harmonised Standard for ElectroMagnetic Compatibility	2020-09 V3.2.4
Article 3.1b (for UWB)	EN 301 489-33	ElectroMagnetic compatibility (EMC) standard for radio equipment and services; Part 33: Specific conditions for Ultra-WideBand (UWB) devices; Harmonised Standard covering the essential requirements of article 3.1(b) of Directive 2014/53/EU	2019-04 V2.2.1
Article 3.2 (for BLE)	EN 300 328	Wideband transmission systems; Data transmission equipment operating in the 2.4GHz band; Harmonised Standard for access to radio spectrum	2019-07 V2.2.2
Article 3.2 (for UWB)	EN 302 065-1	Short Range Devices (SRD) using Ultra Wide Band technology (UWB); Part 2: Requirements for UWB location tracking; Harmonised Standard covering the essential requirements of article 3.2 of the Directive 2014/53/EU	2016-11 V2.1.1

Please refer to Qorvo's website for DWM3001C ETSI tests reports:

<https://www.qorvo.com/products/p/DWM3001C>



DWM3001C

Fully Integrated UWB Transceiver Module

10.2 United States (FCC)

This device complies with Part 15 of the FCC Rules:

Operation is subject to the following conditions:

1. This device may not cause harmful interference, and
2. This device must accept any interference received, including interference that may cause undesired operation

Changes and Modifications not expressly approved by Qorvo Ltd. can void your authority to operate this equipment under Federal Communications Commission rules.

Warning: Changes or modifications to this unit not expressly approved by the party responsible for compliance could void the user's authority to operate the equipment.

To fulfil FCC Certification requirements, an OEM manufacturer must comply with the following regulations:

1. The DWM3001C modular transmitter must be labelled with its own FCC ID number, and, if the FCC ID is not visible when the module is installed inside another device, then the outside of the device into which the module is installed must also display a label referring to the enclosed module. This exterior label can use wording such as the following:

IMPORTANT : Contains FCC ID: 2A35D-DWM3001. This equipment complies with Part 15 of the FCC Rules. Operation is subject to the following two conditions: (1) this device may not cause harmful interference, and (2) this device must accept any interference received, including interference that may cause undesired operation (FCC 15.19).

Please refer to Qorvo's website for DWM3001C FCC tests reports: <https://www.Qorvo.com/product/dwm3001-module>

10.2.1 Radio and Television Interference

This equipment has been tested and found to comply with the limits for a Class B digital device, pursuant to Part 15 of the FCC rules. These limits are designed to provide reasonable protection against harmful interference in a residential installation. This equipment generates, uses, and can radiate radio frequency energy and, if not installed and used in accordance with the instructions, may cause harmful interference to radio communications. However, there is no guarantee that interference will not occur in a particular installation. If this equipment does cause harmful interference to radio or television reception, which can be determined by turning the equipment off and on, the user is encouraged to try to correct the interference by one or more of the following measures:

- Reorient or relocate the receiving antenna.
- Increase the separation between the equipment and the receiver.
- Connect the equipment into an outlet on a circuit different from that to which the receiver is connected.
- Consult the dealer or an experienced radio/TV technician for help.

You may also find helpful the following booklet, prepared by the FCC: "How to Identify and Resolve Radio-TV Interference Problems." This booklet is available from the U.S. Government Printing Office, Washington D.C. 20402.



10.3 Innovation, Science and Economic Development Canada (ISED)

Note: ISED was formerly Industry Canada (IC).

This device complies with ISED licence-exempt RSS standard(s). Operation is subject to the following two conditions: (1) this device may not cause interference, and (2) this device must accept any interference, including interference that may cause undesired operation of the device.

Le présent appareil est conforme aux CNR d'ISDE applicables aux appareils radio exempts de licence. L'exploitation est autorisée aux deux conditions suivantes : (1) l'appareil ne doit pas produire de brouillage, et (2) l'utilisateur de l'appareil doit accepter tout brouillage radioélectrique subi, même si le brouillage est susceptible d'en compromettre le fonctionnement.

CAUTION: Any changes or modifications not expressly approved by the party responsible for compliance could void the user's authority to operate the equipment.

The OEM integrator is still responsible for testing their end-product for any additional compliance requirements required with this module installed (for example, digital device emissions, PC peripheral requirements, etc.). This Module is labelled with its own IC ID. If the IC ID Certification Number is not visible while installed inside another device, then the end product should display a label on it referring to the enclosed module in a visible area with the following:

"Contains Transmitter Module IC: 23794-DWM3001"
OR
"Contains IC: 23794-DWM3001"

Ce module est étiqueté avec son propre ID IC. Si le numéro de certification IC ID n'est pas visible lorsqu'il est installé à l'intérieur d'un autre appareil, l'appareil doit afficher l'étiquette sur le module de référence ci-joint. Dans ce cas, le produit final doit être étiqueté dans un endroit visible par le texte suivant :

"Contains Transmitter Module IC: 23794-DWM3001"
OR
"Contains IC: 23794-DWM3001"

10.4 Regulatory Host Integration Instructions

This module has been granted modular approval for portable applications. OEM integrators for host products may use the module in their final products without additional FCC / ISED certification if they meet the following conditions. Otherwise, additional FCC / ISED approvals must be obtained.

- The host product with the module installed must be evaluated for simultaneous transmission requirements. The host integrator installing this module into their product must ensure that the final composite product complies with the FCC requirements by a technical assessment or evaluation to the FCC rules, including the transmitter operation. When configuring the module, PC or Linux console applications such as Tera Term or PuTTY may be used, for more details, contact Qorvo Technical Support.
- Note that antennas mounted on outdoor structures, such as antennas mounted on the outside of a building or on a telephone pole, or any fixed outdoors Infrastructure are prohibited for use with this device.
- The user's manual for the host product must clearly indicate the operating requirements and conditions that must be observed to ensure compliance with current FCC/ISED RF exposure guidelines.
- A label must be affixed to the outside of the host product with the following statements:
 - This device contains FCC ID: 2A35D-DWM3001
 - This equipment contains equipment certified under IC: 23794-DWM3001

The final host / module combination may also need to be evaluated against the FCC Part 15B criteria for unintentional radiators in order to be properly authorized for operation as a Part 15 digital device.

If the final host / module combination is intended for use as a portable device (see classifications below) the host manufacturer is responsible for separate evaluations/approvals for the SAR requirements from FCC Part 2.1093 and RSS-102.



10.5 Device Classifications

Since host devices vary widely with design features and configurations module integrators shall follow the guidelines below regarding device classification and simultaneous transmission and seek guidance from their preferred regulatory test lab to determine how regulatory guidelines will impact the device compliance. Proactive management of the regulatory process will minimize unexpected schedule delays and costs due to unplanned testing activities.

The module integrator must determine the minimum distance required between their host device and the user's body. The FCC provides device classification definitions to assist in making the correct determination. Note that these classifications are guidelines only; strict adherence to a device classification may not satisfy the regulatory requirement as near-body device design details may vary widely. Your preferred test lab will be able to assist in determining the appropriate device category for your host product and if a KDB or PBA must be submitted to the FCC.

10.6 FCC Definitions

Portable: (§2.1093) — A portable device is defined as a transmitting device designed to be used so that the radiating structure(s) of the device is / are within 20 centimeters of the body of the user.

10.7 Simultaneous Transmission Evaluation

This module has not been evaluated or approved for simultaneous transmission as it is impossible to determine the exact multi-transmission scenario that a host manufacturer may choose. Any simultaneous transmission condition established through module integration into a host product must be evaluated per the requirements in KDB447498D01(8) and KDB616217D01,D03 (for laptop, notebook, netbook, and tablet applications).

As mentioned above, the DWM3001C has been granted modular approval as a "Portable" device. However, end-customer Portable applications may require further RF exposure (SAR) evaluations. It is also possible that the host / module combination will need to undergo further testing for FCC Part 15 compliance regardless of the device classification. Your preferred test lab will be able to assist in determining the exact tests which are required on the host / module combination.

10.8 Operating Requirements and Conditions

The design of DWM3001 complies with U.S. Federal Communications Commission (FCC) guidelines respecting safety levels of radio frequency (RF) exposure for Portable devices.

10.9 Miscellaneous

Except as otherwise described above, the DWM3001C BLE and UWB transmitters meets all requirements for SAR or RF Exposure, intended or unintended, under FCC, ISED, and ETSI rules. The BLE radio falls well below the limit determined for <5mm separation (a "body-worn" device) and, for a UWB radio operating above 6GHz, there are currently no exposure limits specified.

All products developed by the user incorporating the DWM3001C must be approved by the relevant authority governing radio emissions in any given jurisdiction prior to the marketing or sale of such products in that jurisdiction and user bears all responsibility for obtaining such approval as needed from the appropriate authorities.

11. Glossary

Table 16: Glossary of Terms

Abbreviation	Full Title	Explanation
EIRP	Equivalent Isotropic Radiated Power	The amount of power that a theoretical isotropic antenna (which evenly distributes power in all directions) would emit to produce the peak power density observed in the direction of maximum gain of the antenna being used.
ETSI	European Telecommunication Standards Institute	Regulatory body in the EU charged with the management of the radio spectrum and the setting of regulations for devices that use it.
FCC	Federal Communications Commission	Regulatory body in the USA charged with the management of the radio spectrum and the setting of regulations for devices that use it.
GPIO	General Purpose Input / Output	Pin of an IC that can be configured as an input or output under software control and has no specifically identified function.
IEEE	Institute of Electrical and Electronic Engineers	Is the world's largest technical professional society. It is designed to serve professionals involved in all aspects of the electrical, electronic, and computing fields and related areas of science and technology.
PLL	Phase Locked Loop	Circuit designed to generate a signal at a particular frequency whose phase is related to an incoming "reference" signal.
PPM	Parts Per Million	Used to quantify very small relative proportions. Just as 1% is one out of a hundred, 1 ppm is one part in a million.
RF	Radio Frequency	Generally used to refer to signals in the range of 3 kHz to 300 GHz. In the context of a radio receiver, the term is generally used to refer to circuits in a receiver before down-conversion takes place and in a transmitter after up-conversion takes place.
RTLS	Real Time Location System	System intended to provide information on the location of various items in real-time.
SFD	Start of Frame Delimiter	Defined in the context of the IEEE 802.15.4-2011 standard.
SPI	Serial Peripheral Interface	An industry standard method for interfacing between IC's using a synchronous serial scheme first introduced by Motorola.
SRRC	Chinese State Radio Regulatory Commission	The radio regulation authority of the People's Republic of China with responsibilities including spectrum management and frequency allocation.
TWR	Two Way Ranging	Method of measuring the physical distance between two radio units by exchanging messages between the units and noting the times of transmission and reception. Refer to Qorvo's website for further information.
TDoA	Time Difference of Arrival	Method of deriving information on the location of a transmitter. The time of arrival of a transmission at two physically different locations whose clocks are synchronized is noted and the difference in the arrival times provides information on the location of the transmitter.
UWB	Ultra-Wideband	A radio scheme employing channel bandwidths of, or in excess of, 500 MHz.
WSN	Wireless Sensor Network	A network of wireless nodes intended to enable the monitoring and control of the physical environment.

12. Revision History

Revision	Change Description
A	Initial Release (Preliminary)
B	Revised to add Regulatory Information, ESD and RoHS compliance, E1.0 Ch5 ant del note, antenna radiation patterns, solder profile and T&R information

13. Further Information

Qorvo develops semiconductors solutions, software, modules, reference designs - that enable real-time, ultra-accurate, ultra-reliable local area micro-location services. Qorvo's technology enables an entirely new class of easy to implement, highly secure, intelligent location functionality and services for IoT and smart consumer products and applications.

For further information on this or any other Qorvo product, please refer to our website www.qorvo.com.

Handling Precautions

Parameter	Rating	Standard
ESD - Charged Device Model (CDM)	1000V	ANSI/ESDA/JEDEC JS-002
ESD – Human Body Model (HBM)	2000V	ANSI/ESDA/JEDEC JS-001
MSL – Moisture Sensitivity Level	Level 3	IPC/JEDEC J-STD-020



Caution!
ESD-Sensitive Device

RoHS Compliance

This part is compliant with 2011/65/EU RoHS directive (Restrictions on the Use of Certain Hazardous Substances in Electrical and Electronic Equipment) as amended by Directive 2015/863/EU.

This product also has the following attributes:

- Antimony Free
- TBBP-A (C₁₅H₁₂Br₄O₂) Free
- SVHC Free

Contact Information

For the latest specifications, additional product information, worldwide sales, and distribution locations:

Web: www.qorvo.com

Tel: 1-844-890-8163

Email: customer.support@qorvo.com



DWM3001C

Fully Integrated UWB Transceiver Module

Important Notice

The information contained in this Data Sheet and any associated documents ("Data Sheet Information") is believed to be reliable; however, Qorvo makes no warranties regarding the Data Sheet Information and assumes no responsibility or liability whatsoever for the use of said information. All Data Sheet Information is subject to change without notice. Customers should obtain and verify the latest relevant Data Sheet Information before placing orders for Qorvo® products. Data Sheet Information or the use thereof does not grant, explicitly, implicitly, or otherwise any rights or licenses to any third party with respect to patents or any other intellectual property whether with regard to such Data Sheet Information itself or anything described by such information.

DATA SHEET INFORMATION DOES NOT CONSTITUTE A WARRANTY WITH RESPECT TO THE PRODUCTS DESCRIBED HEREIN, AND QORVO HEREBY DISCLAIMS ANY AND ALL WARRANTIES WITH RESPECT TO SUCH PRODUCTS WHETHER EXPRESS OR IMPLIED BY LAW, COURSE OF DEALING, COURSE OF PERFORMANCE, USAGE OF TRADE OR OTHERWISE, INCLUDING THE IMPLIED WARRANTIES OF MERCHANTABILITY AND FITNESS FOR A PARTICULAR PURPOSE. Without limiting the generality of the foregoing, Qorvo® products are not warranted or authorized for use as critical components in medical, lifesaving, or life-sustaining applications, or other applications where a failure would reasonably be expected to cause severe personal injury or death. Applications described in the Data Sheet Information are for illustrative purposes only. Customers are responsible for validating that a particular product described in the Data Sheet Information is suitable for use in a particular application.

FiRa, FiRa Consortium, the FiRa logo, the FiRa Certified logo, and FiRa tagline are trademarks or registered trademarks of FiRa Consortium or its licensor(s)/ supplier(s) in the US and other countries and may not be used without permission. All other trademarks, service marks, and product or service names are trademarks or registered trademarks of their respective owners.

© 2021 Qorvo US, Inc. All rights reserved. This document is subject to copyright laws in various jurisdictions worldwide and may not be reproduced or distributed, in whole or in part, without the express written consent of Qorvo US, Inc. | QORVO® is a registered trademark of Qorvo US, Inc.

Mouser Electronics

Authorized Distributor

Click to View Pricing, Inventory, Delivery & Lifecycle Information:

Qorvo:

[DWM3001CTR13](#) [DWM3001CSR](#)