

180-052
Composite PCB Mount Receptacle Connector
for MIL-T-29504 /5 Socket Terminus (181-001-*)**

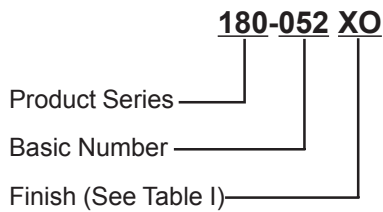
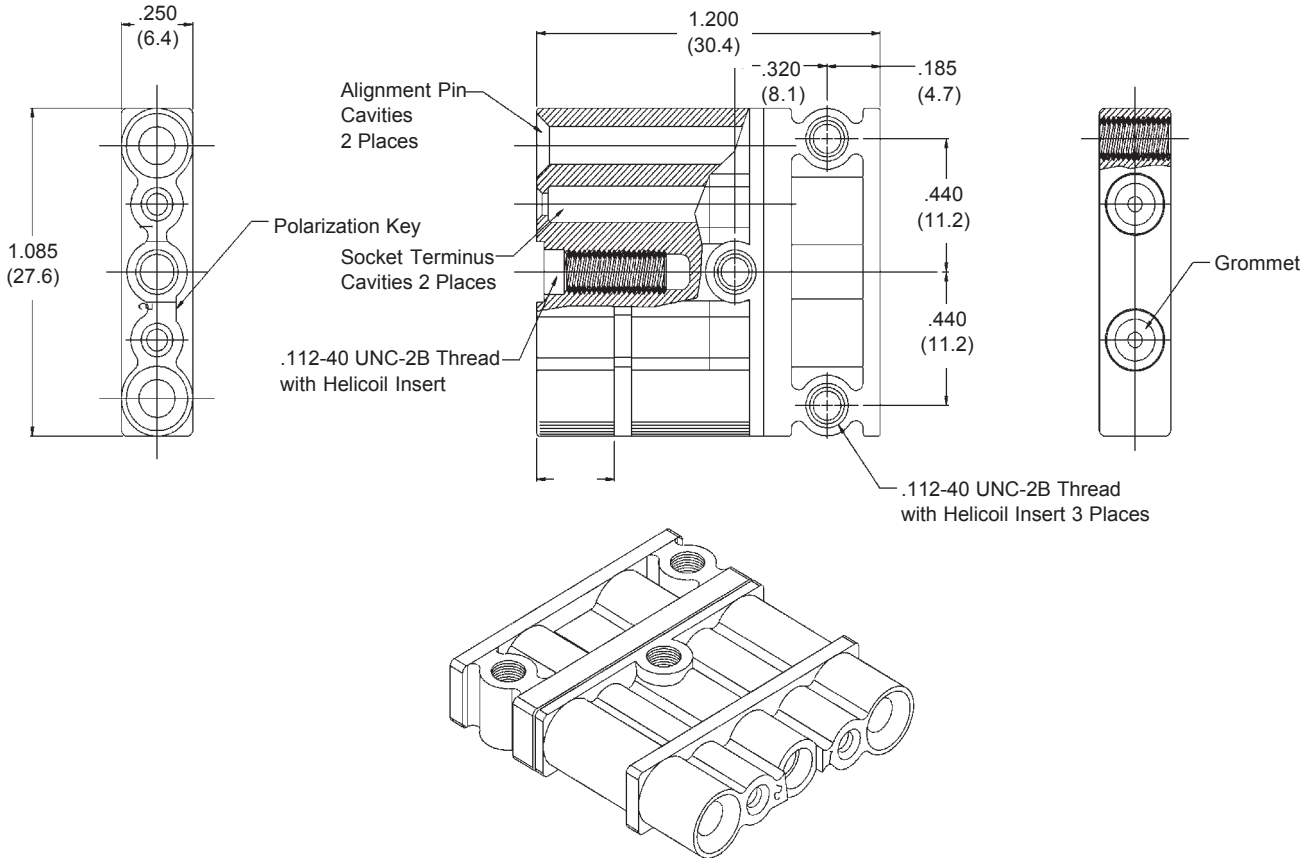


TABLE I: FINISH	
XM	Electroless Nickel
XW	Cadmium Olive Drab Over Electroless Nickel
XB	No Plating - Black Material
XO	No Plating - Base Material Non-conductive

Metric Dimensions (mm) are indicated in parentheses